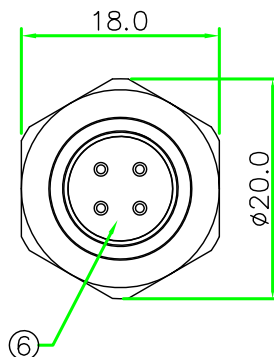
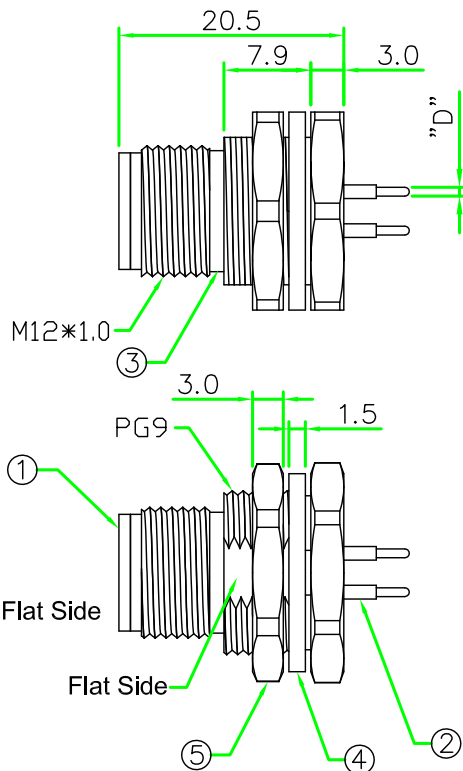


Recommended  
Panel Cut-Out

RoHS

IP66~68

PIN	D
A12D	φ0.8
A12N	φ0.6
A12I	φ0.8



REV.	DESCRIPTION	DATE
A	ISSUE	Nov/11/1999
A1	Add Item	Apr/27/2015

Ref.

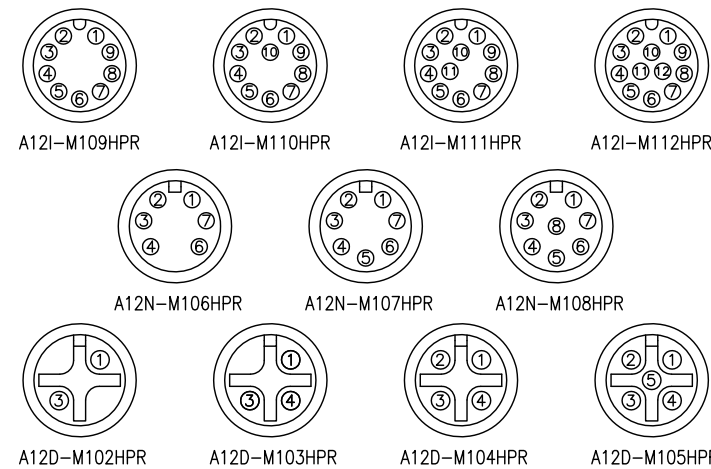
NOTES:

- ELECTRICAL CHARACTERISTICS:  
CURRENT RATING: 1.5A / 2A / 4A  
TEMPERATURE RANGE: -25°C TO +85°C  
DIELECTRIC WITHSTANDING VOLTAGE:  
500V AC FOR ONE MINUTE
- PANEL THICKNESS MAX. 3.0mm
- HOW TO ORDER: A12x-M1xxHPR

- 02 - 2 PIN
- 03 - 3 PIN
- 04 - 4 PIN
- 05 - 5 PIN
- 06 - 6 PIN
- 07 - 7 PIN
- 08 - 8 PIN
- 09 - 9 PIN
- 10 - 10PIN
- 11 - 11PIN
- 12 - 12PIN

- I - CURRENT RATING 1.5A
- N - CURRENT RATING 2A
- D - CURRENT RATING 4A

A1



PIN ASSIGNMENT FRONT VIEW

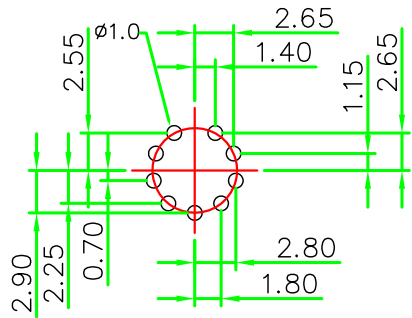
(前視圖)

**HOLIN®** HTP ASIA TECHNOLOGY CO., LTD.  
禾凌科技股份有限公司

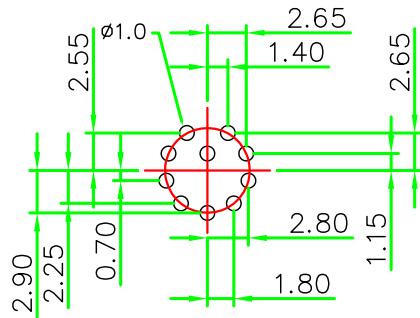
	UNIT: mm	<b>TITLE</b> M12 A-Coding Male Panel Connector Rear mount Hex Flange With PCB Pin	<b>DR.</b> Patty <b>CH.</b> ERIC
	SCALE 1.5:1		
<b>UNLESS OTHERWISE SPECIFIED TOLERANCES:</b> .x ± 0.25 .xx ± 0.1 .xxx ± 0.05 ANGLE ± 1° REV. SHEET		<b>P/N:</b> A12x-M1xxHPR	<b>AP.</b>
A1	1/2	<b>DWG.NO:</b> A12x-M1xxHPR	

No.	PART NAME	DESCRIPTION	COLOR	Q'TY	REMARKS
6	GLUE	EPOXY.	BLACK	1	
5	HEX NUT	BRASS, NICKEL PLATED.		1	
4	GASKET	RUBBER.	BLACK	1	
3	HOUSING	BRASS, NICKEL PLATED,		1	
2	CONTACT	Brass , 6 u" Gold Plated . Male Contact.		N	
1	CONNECTOR	M12 A-Coding Male Connector Insert.NYLON+GF.	BLACK	1	

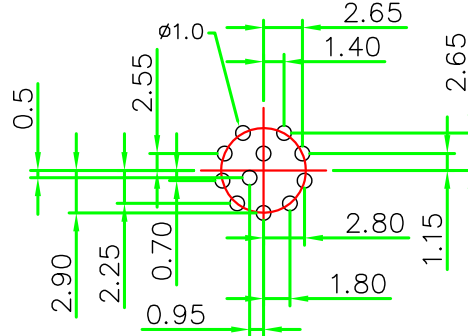
REV.	DESCRIPTION	DATE
A	ISSUE	Nov/11/1999
A1	Add Item	Apr/27/2015



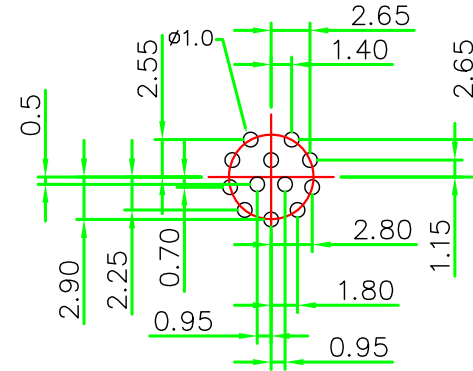
A12I-M109HPR



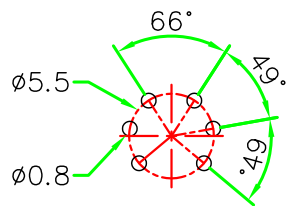
A12I-M110HPR



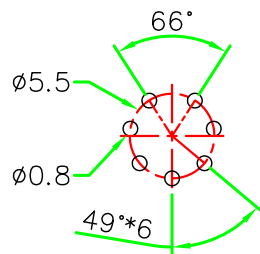
A12I-M111HPR



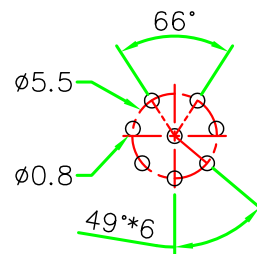
A12I-M112HPR



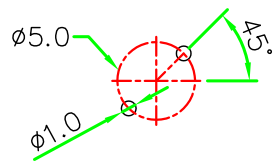
A12N-M106HPR



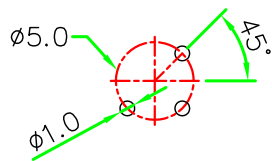
A12N-M107HPR



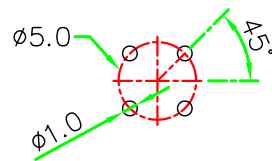
A12N-M108HPR



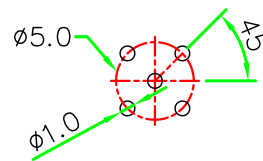
A12D-M102HPR



A12D-M103HPR



A12D-M104HPR

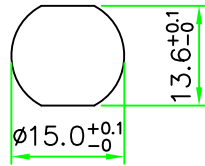


A12D-M105HPR

PCB LAYOUT

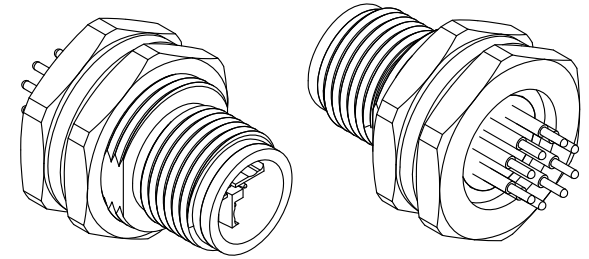
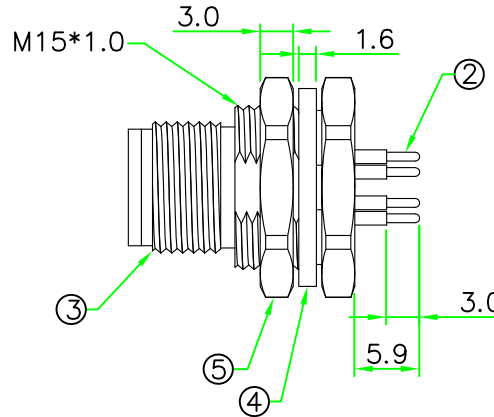
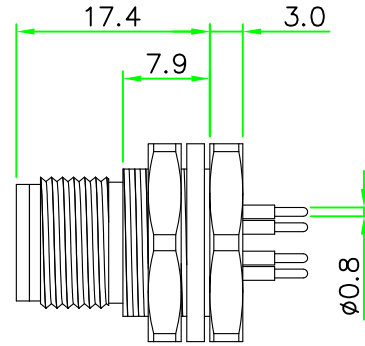
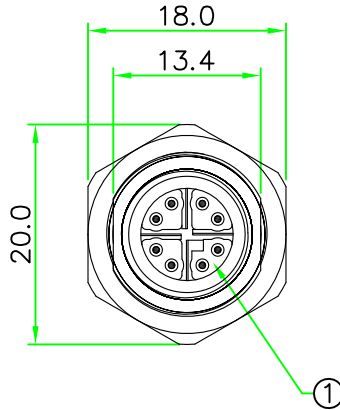
<b>HOLIN®</b> HTP ASIA TECHNOLOGY CO., LTD. 禾凌科技股份有限公司			
	UNIT: mm	TITLE : M12 A-Coding Male Panel Connector Rear mount Hex Flange With PCB Pin	
SCALE	2:1	P/N:	A12x-M1xxHPR
UNLESS OTHERWISE SPECIFIED TOLERANCES: .X ± 0.25 .XX ± 0.1 .XXX ± 0.05 ANGLE ± 1°		DR.	Patty
REV.	SHEET	CH.	ERIC
A1	2/2	DWG.NO:	A12x-M1xxHPR
		AP.	

REV.	DESCRIPTION	DATE
A	ISSUE	Nov/04/2014



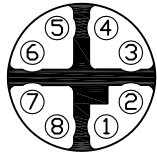
Recommended  
Panel Cut-Out

**RoHS**  
**IP66~68**

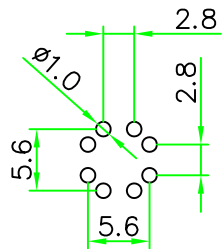


**NOTES:**

- ELECTRICAL CHARACTERISTICS:  
CURRENT RATING: 0.5A  
TEMPERATURE RANGE: -25°C TO +85°C  
DIELECTRIC WITHSTANDING VOLTAGE:  
500V AC FOR ONE MINUTE
- PANEL THICKNESS MAX. 3.0mm



PIN ASSIGNMENT  
FRONT VIEW  
(前視圖)



PCB LAYOUT

No.	PART NAME	DESCRIPTION	COLOR	Q'TY	REMARKS
5	HEX NUT	Brass, Nickel Plated.		1	
4	GASKET	EPDM.	BLACK	1	
3	HOUSING	Brass, Nickel Plated.		1	
2	CONTACT	Brass , 6 u" Gold Plated . Male Contact.		8	
1	CONNECTOR	M12 X-Coding Male Connector Insert.NYLON+GF.	BLACK	1	

HOLIN <sup>®</sup> HTP ASIA TECHNOLOGY CO., LTD. 禾凌科技股份有限公司	
UNIT: mm SCALE 1.5:1 UNLESS OTHERWISE SPECIFIED TOLERANCES: .x ± 0.25 .xx ± 0.1 .xxx ± 0.05 ANGLE ± 1° REV. SHEET A 1/1	TITLE M12 X-Coding Male Panel Connector Rear mount Hex Flange With PCB Pin P/N: X12I-M108HPR DWG.NO: X12I-M108HPR DR. Patty CH. ERIC AP.