

REV.	DESCRIPTION	ECN NO.	DATE	DRAWER
B	Modified by Customer Design	EC0610006	10/03/2006	Anny
C	Modified by Customer Design	EC0703061	03/29/2007	Winnie
D	Added Packing Option Δ x 1	EC0810021	10/08/2008	Kelly

Notes:

- Material :
Housing : Thermoplastic UL 94V-0 ,Black
Terminal : Copper Alloy
- Finish :
Terminal : G/F Over Ni Under-plated Overall
- Order Information :

X P91-0120A - 08 X 1

Z: RoHS (for High Temperature)

Y: RoHS

Amount of Pins

08: 8Pins

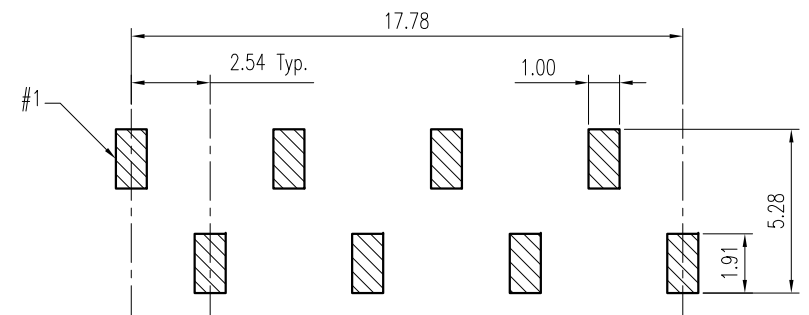
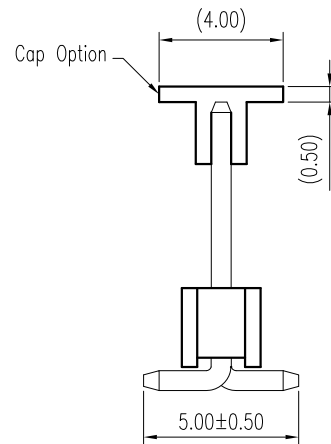
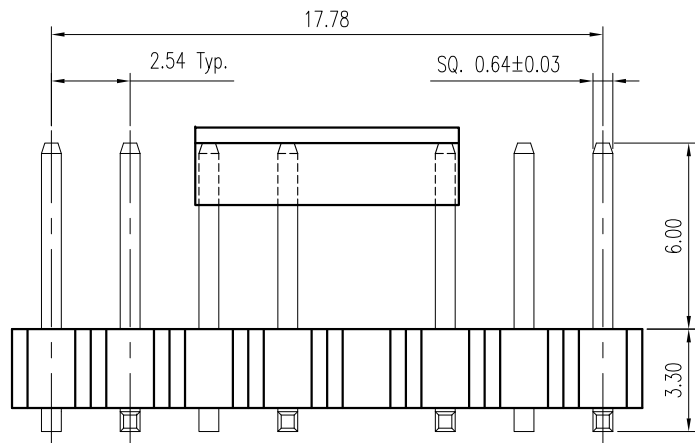
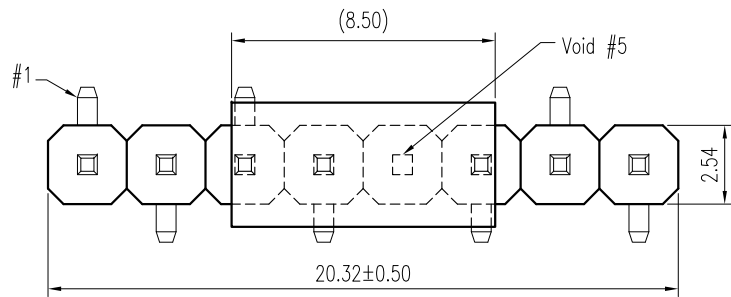
Δ Packing Option:

B: Bag

T: Tube

1: Tube+Cap

2: Reel+Cap



Recommended P.C.B. Layout
Layout Tolerance = ± 0.05 mm

DIMENSION IN mm [inch]	
Tolerance unless otherwise specified	
X. ±	X.* ± 10'
X.X ± 0.38	X.X* ± 5'
X.XX ± 0.25	X.XX* ± 2'
X.XXX ± 0.13	X.XXX* ±

CEN 欣訊科技股份有限公司
CEN LINK CO., LTD.
CUSTOMER DRAWING

Title 2.54mm Pitch Pin Header
SMD A Type Single Row #5
Dwg No. XP91-0120A-08X1
File No.

Scale: 4 : 1
Size: A 4
Rev : D
Sheet: 1 / 1

Approver:

Checker:

Drawer: Kelly_*
10/08/2008