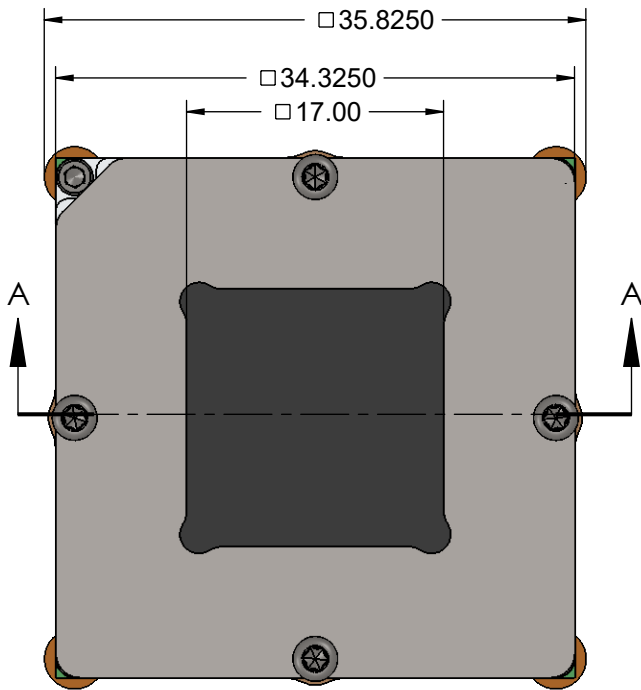


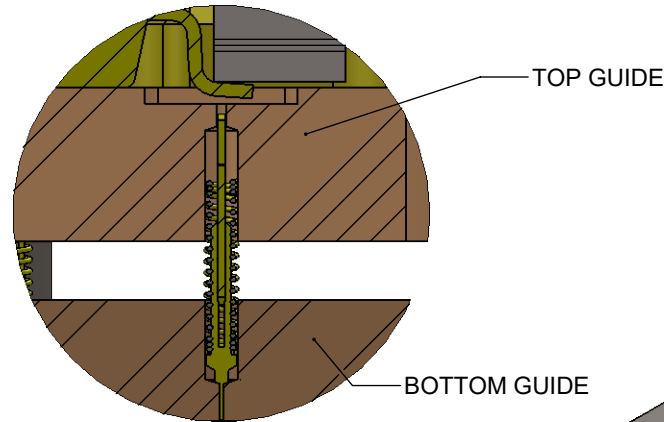
SBT-QFE176 DIRECT MOUNT, SOLDERLESS SOCKET FOR BURN-IN AND TEST APPLICATIONS

TOP VIEW



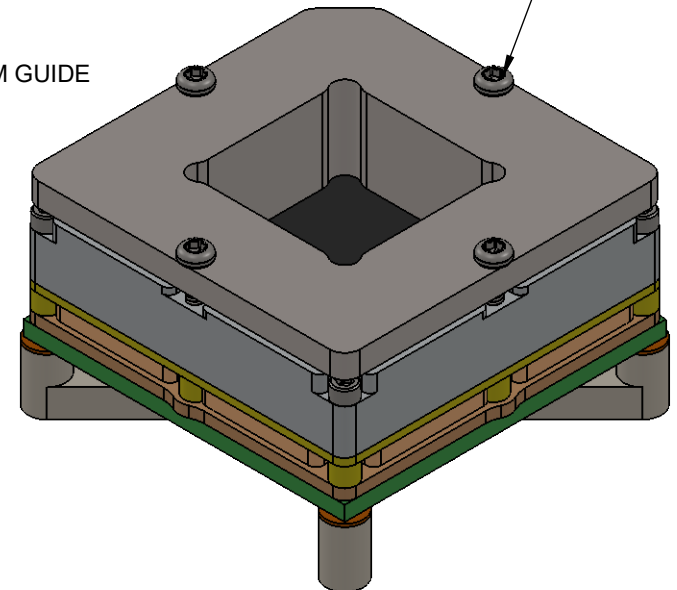
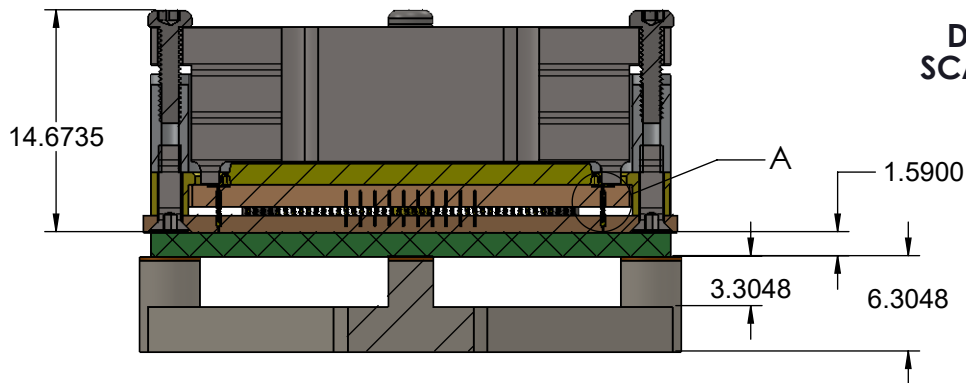
Features

- Wide temperature range (-55C to +180C).
- High current capability (up to 1.8A).
- Excellent signal integrity at high frequencies.
- Low and stable contact resistance for reliable production yield.
- Highly compliant to accommodate wide co-planarity variations.
- Automated probe manufacturing enables low cost and short lead time.



Alternate tightening lid screws until top guide contacts bottom guide (hard stop is reached)


SECTION A-A

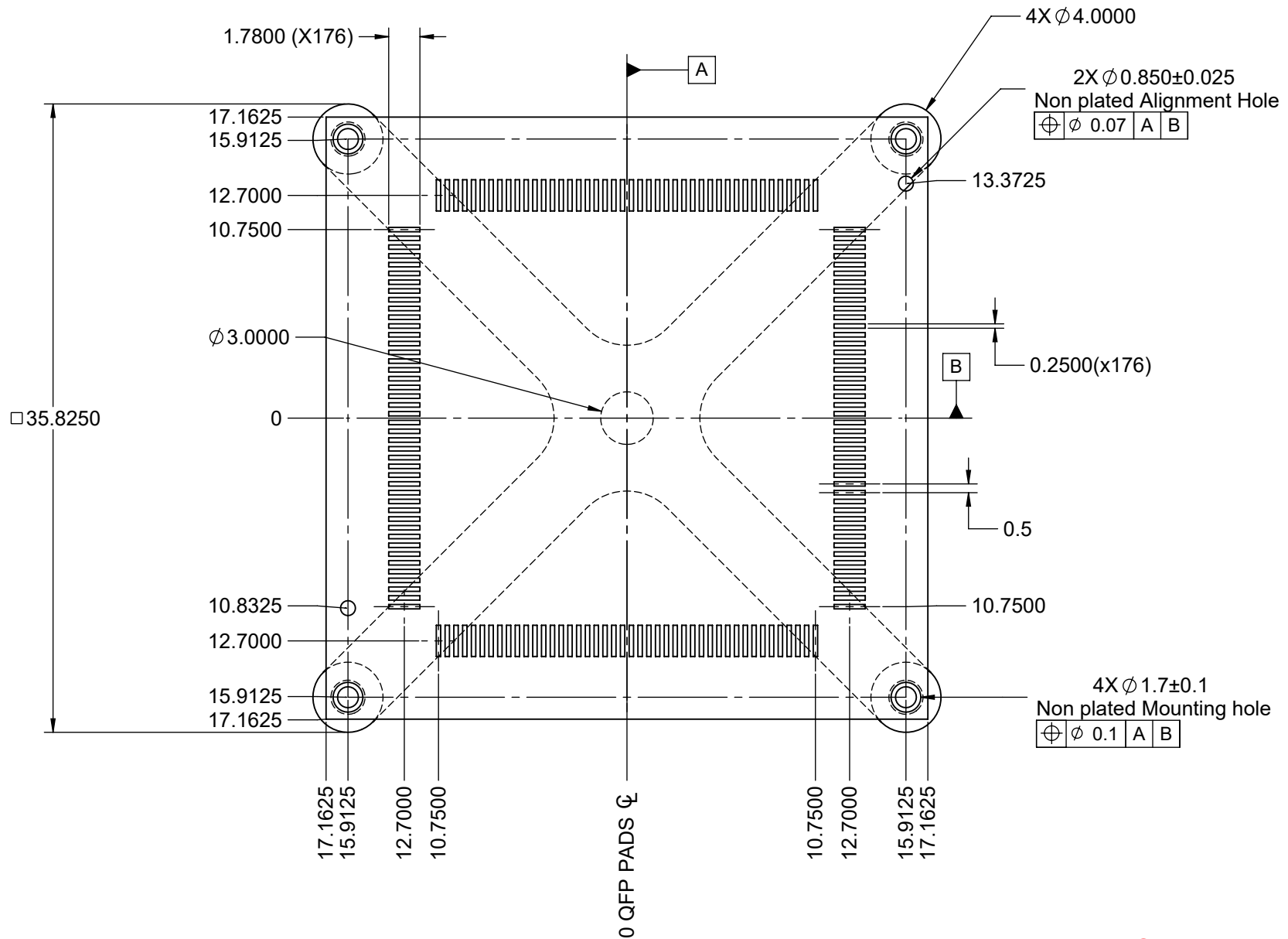


Description: SBT-QFE for 176 lead 26mm T2Tmm, 24mm body, 0.5mm pitch

Primary dimension units are millimeters, Secondary dimension units are [inches], Weight is in grams.

Tolerances: Hole diameters $\pm 0.03\text{mm}$ [$\pm 0.001"$], Pitches (from true position) $\pm 0.025\text{mm}$ [$\pm 0.001"$], substrate thickness tolerance $\pm 10\%$, all other tolerances $\pm 0.13\text{mm}$ [$\pm 0.005"$] unless stated otherwise. Materials and specifications are subject to change without notice.

 <p>SBT-QFE-3012 Drawing Ironwood Electronics, Inc. Tele: (800) 404-0204 www.ironwoodelectronics.com</p>	<p>Material: N/A Finish: N/A Weight: 25.69</p>	<p>STATUS: Released ENG: E. Smolentseva FILE: SBT-QFE-3012 Dwg</p>	<p>SHEET: 1 OF 4 DRAWN BY: M. Raske DATE: 1/19/2017</p>	<p>REV. A SCALE: 1.75:1</p>




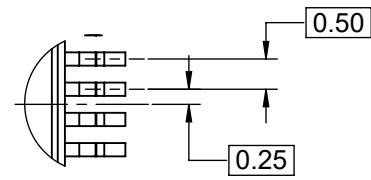
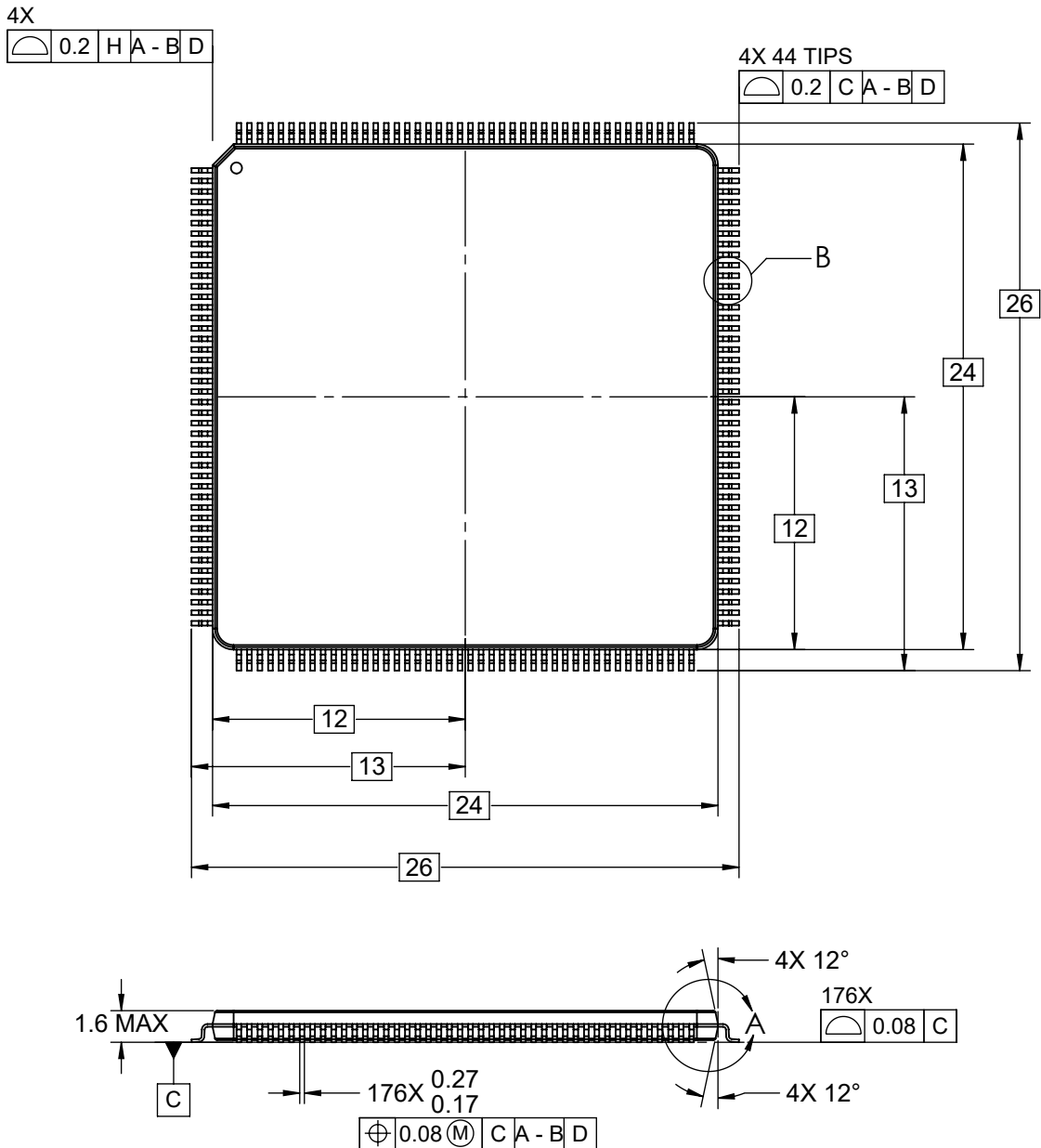
Description: Recommended PCB layout

Primary dimension units are millimeters, Secondary dimension units are [inches], Weight is in grams.

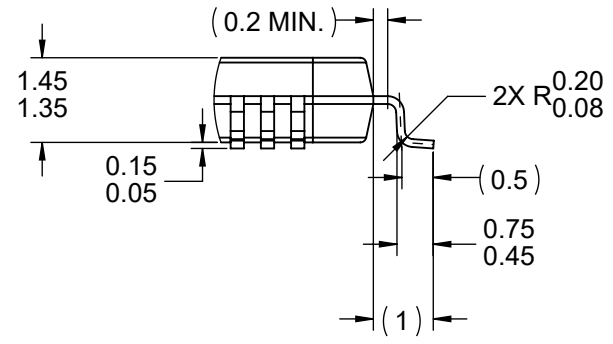
Tolerances: Hole diameters $\pm 0.03\text{mm}$ [± 0.001 "], Pitches (from true position) $\pm 0.025\text{mm}$ [± 0.001 "], substrate thickness tolerance $\pm 10\%$, all other tolerances $\pm 0.13\text{mm}$ [± 0.005 "] unless stated otherwise. Materials and specifications are subject to change without notice.

Target PCB Recommendations
Total thickness: 1.5mm min.
Plating: Gold or Solder finish

 SBT-QFE-3012 Drawing Ironwood Electronics, Inc. Tele: (800) 404-0204 www.ironwoodelectronics.com	Material: N/A Finish: N/A Weight: 25.69	STATUS: Released ENG: E. Smolentseva FILE: SBT-QFE-3012 Dwg	SHEET: 2 OF 4 DRAWN BY: M. Raske DATE: 1/19/2017	REV. A SCALE: 3:1



DETAIL B
SCALE 8 : 1

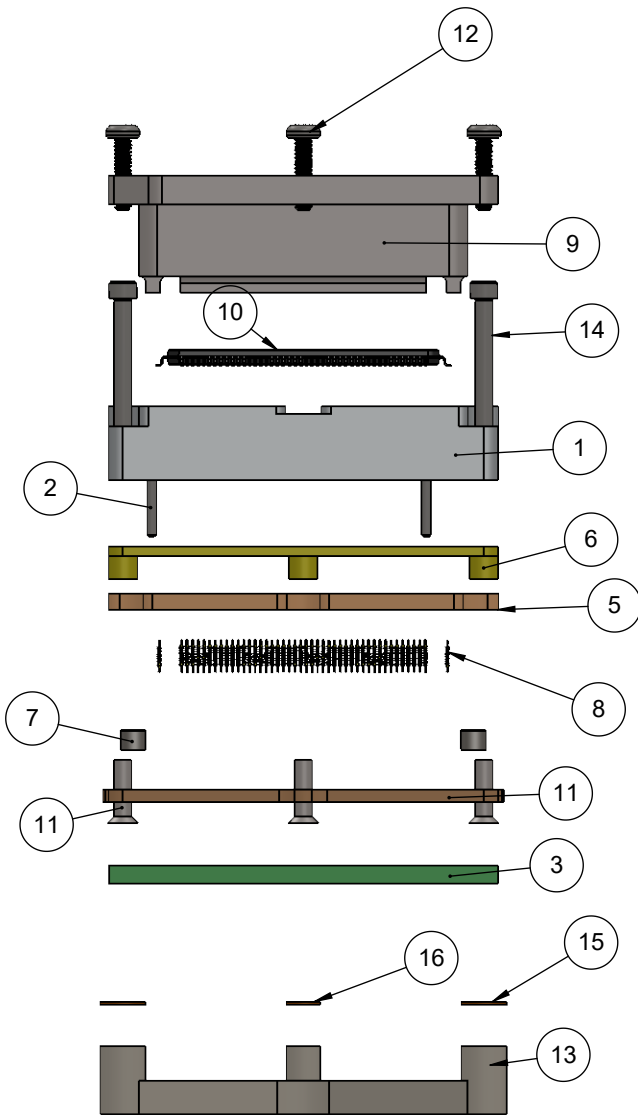


DETAIL A
SCALE 8 : 1

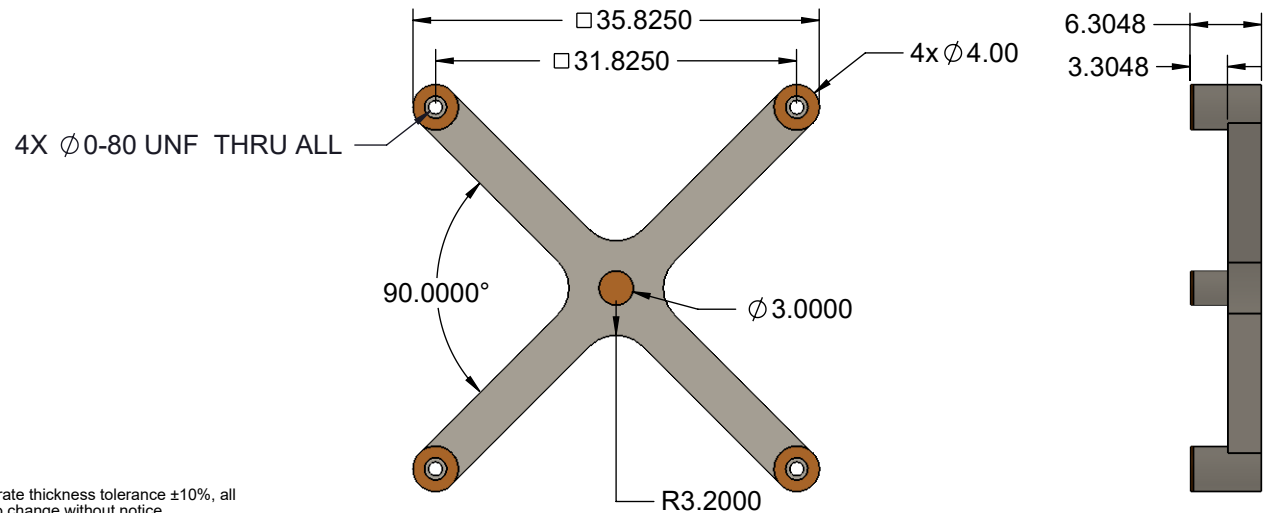
Description: Compatible IC

Primary dimension units are millimeters, Secondary dimension units are [inches], Weight is in grams.
 Tolerances: Hole diameters ±0.03mm [±0.001"], Pitches (from true position) ±0.025mm [±0.001"], substrate thickness tolerance ±10%, all other tolerances ±0.13mm [±0.005"] unless stated otherwise. Materials and specifications are subject to change without notice.

 SBT-QFE-3012 Drawing Ironwood Electronics, Inc. Tele: (800) 404-0204 www.ironwoodelectronics.com	Material: N/A Finish: N/A Weight: 25.69	STATUS: Released ENG: E. Smolentseva FILE: SBT-QFE-3012 Dwg	SHEET: 3 OF 4 DRAWN BY: M. Raske DATE: 1/19/2017	REV. A SCALE: 3:1




ITEM NO.	DESCRIPTION	Material
1	Socket Base	7075-T6 Aluminum Alloy
2	Dowel pin, 1/32" X 1/4", SS	Stainless Steel (18-8)
3	Test Board QFE176 0.5mm pitch	FR4 High temp
11	Bottom Guide, QFE176 0.5mm pitch 226 holes	Semitron MDS 100
5	Floating Guide QFE176 0.5mm pitch 226 holes	Semitron MDS 100
6	IC Guide QFE176 26x26mm	Torlon 4203
7	Floating Guide Spring	Alloy Steel (SS)
8	Stamped Pin, 0.4mm SBT-LGA/QFN	N/A
9	Compression Plate	PEEK
10	QFP176 device	
11	#0-80, 90 deg., head pin guide screw, Peek material 5.5715mm overall Length	PEEK unfilled
12	Pan Head Torx Machine Screw, 0-80 Thread, 1/4" Length, 18-8 Stainless Steel	Stainless Steel (18-8)
13	Backing plate	7075-T6 Aluminum Alloy
14	#0-80 X .625 LG, SOC HD CAP SCREW, ALLOY STL, BLK OXIDE	Alloy Steel
15	Insulating washer, 4mm OD.	Kapton Polyimide/Cirlex
16	Insulating washer, 3mm OD.	Kapton Polyimide/Cirlex



Description: Skt, Insulation Plate, Pin Det

Primary dimension units are millimeters, Secondary dimension units are [inches], Weight is in grams.

Tolerances: Hole diameters $\pm 0.03\text{mm}$ [$\pm 0.001"$], Pitches (from true position) $\pm 0.025\text{mm}$ [$\pm 0.001"$], substrate thickness tolerance $\pm 10\%$, all other tolerances $\pm 0.13\text{mm}$ [$\pm 0.005"$] unless stated otherwise. Materials and specifications are subject to change without notice.

 SBT-QFE-3012 Drawing Ironwood Electronics, Inc. Tele: (800) 404-0204 www.ironwoodelectronics.com	Material: N/A Finish: N/A Weight: 25.69	STATUS: Released	SHEET: 4 OF 4	REV. A
		ENG: E. Smolentseva	DRAWN BY: M. Raske	SCALE: 1.5:1
		FILE: SBT-QFE-3012 Dwg	DATE: 1/19/2017	