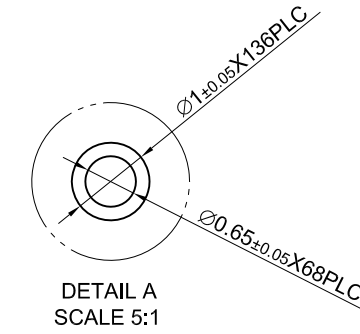
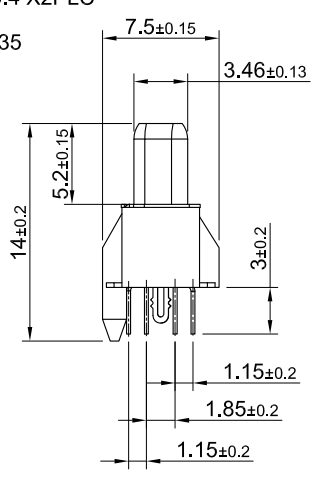


ELECTRICAL CHARACTERISTICS
 CONTACT CURRENT RATING:0.5AMPERE
 DIELECTRIC WITHSTANDING VOLTAGE:250 VAC
 INSULATION RESISTANCE:500 MEGOHMS MIN.
 CONTACT RESISTANCE:80 MILLIOHMS MAX.

MATERIALS
 CONTACTS:COPPER ALLOY
 INSULATOR:THERMOPLASTIC 94V-0
 SHELL:COLD ROLLER STEEL

FINISHES
 CONTACT:30 µ" MIN. GOLD ON MATING END;
 TIN ON TERMINATION END;
 ALL UNDERPLATED NICKEL
 SHELL:NICKEL OVER COPPER

ENVIRONMENT
 OPERATION TEMPERATURE: -55°C TO +85°C



DETAIL A
SCALE 5:1

REFERRAL TORQUE=2kgf-cm~2.5kgf-cm

RECOMMEND P C BOARD LAYOUT
 (REFERENTIAL LAYOUT)
 TOLERANCE:±0.05

		TITLE: VHDCI 0.8mm Vertical Receptacle Connectors	
		DWG#: R-HS-008068-1B	SHEET: 1/1 REV. D
UNIT: mm	SCALE: A4 2:1	FINISH:	CHECKED: Gary Kang
THIRD ANGLE PROJECTION		MATERIAL: RoHS Compliant	APPROVED: George Yang
TOLERANCE: Angle:± 1° X.± 0.25 .X± 0.2 .XX± 0.15		DRAWN: Abel	DATE: 08/09/2013