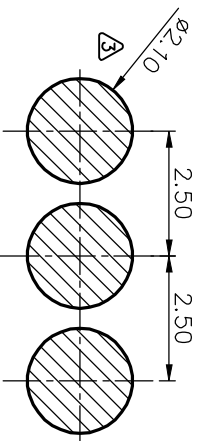
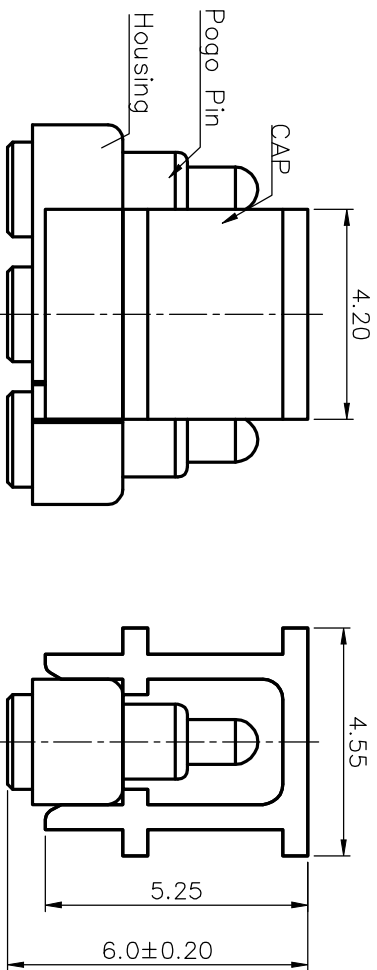
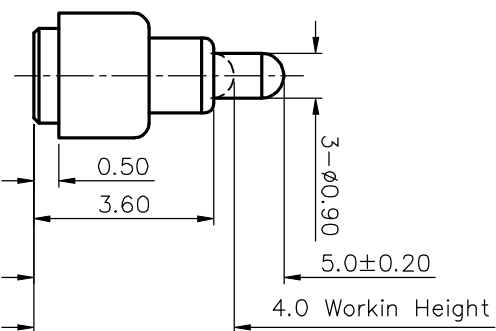
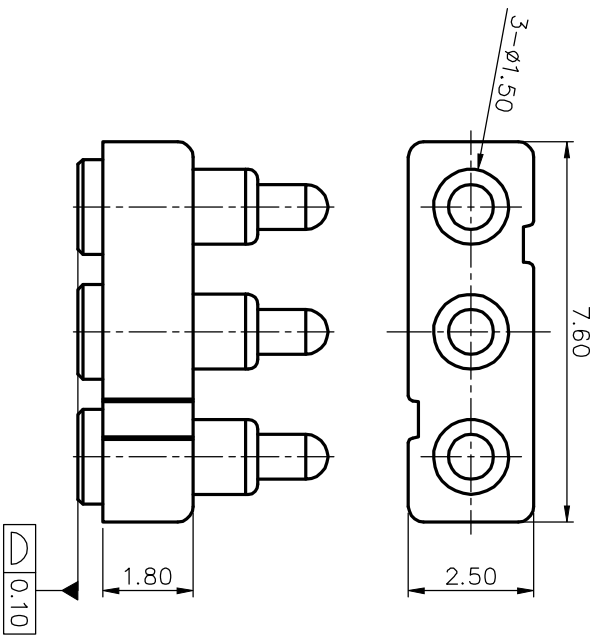


Please Approve this Drawing	
Date	
Signature	



RECOMMEND PCB LAYOUT  
Layout Tolerance:  $\pm 0.05\text{mm}$

REVISIONS			
NO.	DESCRIPTION	ECN No.	DATE
	INITIAL RELEASE	ECN-07060602	2007.06.06
△	變更Housing和Cap材質，由PAET變更為HTN	ECN-11030801	2011.03.08
△	變更Pogo Pin的Pin數，由2Pin變更為3Pin	ECN-11041105	2011.04.11
△	依客戶要求PCB LAYOUT矩形改為圓形	ECN-2201812XXXX	2018.12.12

NOTES:

- Materials:
  - .Housing&Cap : Black HTN(UL94V-0)
  - .Plunger & Barrel: Brass C3604
  - .Spring: SUS304
- Plating:
  - .Contact Surface : 10 micro inch minimum Au over 50~100 micro inch Ni.
- Electrical
  - .Rated Current & Voltage : DC 12V ; 2A
  - .Contact Resistance:50 mohm maximum at Working Height((Quiescence)
- Mechanical
  - .Spring Force : 110g $\pm$ 20% at Working Height
  - .Durability: 10,000 cycles(minimum)
- When the current is greater than 1A then need to increase the time delay circuit(3 second)
- To ensure the best usage, please operate it based on the working Height.
- Based on the Engineering Drawings, shall not exceed the maximum allowed compression.
- .Rohs compliant product.

DRAWN	贺志鹏	SCALE:	7 : 1	UNIT	mm	DRAWING NO.	N005M2-03E250MR
CHECKED		SHEET:	1 of 1	PROJECT		TITLE:	Pogo Pin Connector
APPROVED		DATE:	2018.12.12	VER.	A.3		

THE UNMARKED TOLERANCE ARE AS BELOW :

LENGTH	ANGLE
0~6.0	0
>6~30	$\pm 0.05\text{mm}$
>30~120	$\pm 0.10\text{mm}$
	$\pm 0.15\text{mm}$
	$\pm 1.0^\circ$
	$\pm 0.50^\circ$

C.C.P. (DG) CONTACT PROBES CO.,LTD.  
东莞中探探针有限公司

The information in this document is property of C.C.P company and should not be copied or reproduced in any other way, without written permission.