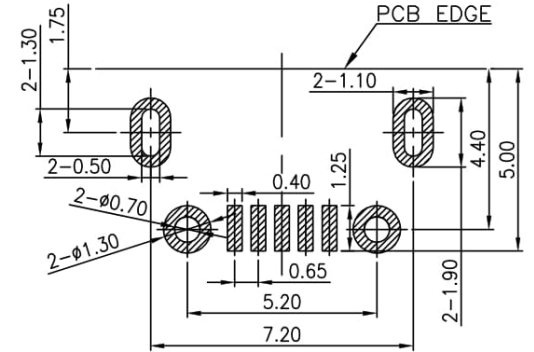
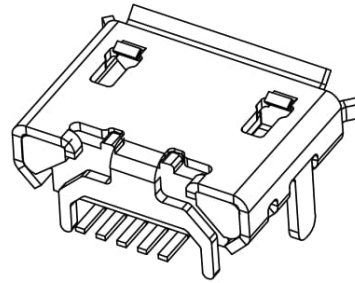
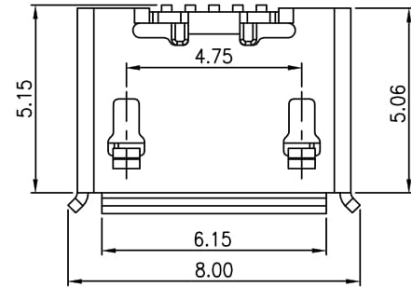
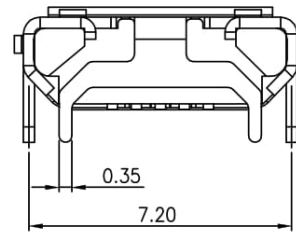
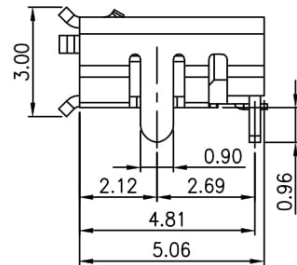
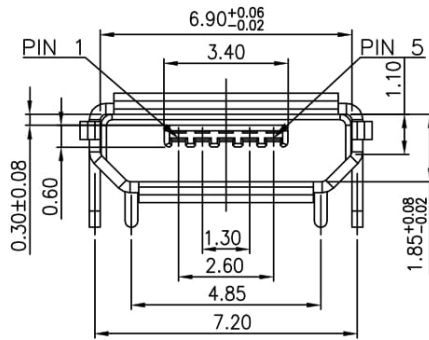


REV.	PART-NO.	DESCRIPTION	ISSUED
△	RFQ-1902140001	First Release	2019/02/14 Jeff

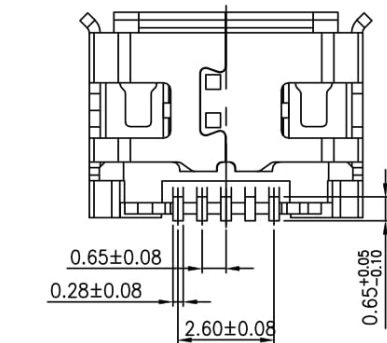


RECOMMENDED PCB LAYOUT



NOTES:

1. CURRENT RATING: 1.0A PER PIN MAX.
2. CONTACT RESISTANCE: 50m ohm MAX.
3. INSULATION RESISTANCE: 100M ohm MIN.
4. DIELECTRIC WITHSTANDING VOLTAGE: 500V AC.
5. DURABILITY: 10000 CYCLES.
6. INSERTION FORCE: 3.75kgf MAX.
7. EXTRACTION FORCE: 0.8kgf MIN.
8. OPERATING TEMPERATURE: -30°C TO +80°C.



CUSTOMER

③ SHELL	COPPER ALLOY	PLATED MATTE Tin	1	PCS
② CONTACT	COPPER ALLOY	PLATED Au ON CONTACT AREA & PLATED Tin ON SOLDER AREA, UNDER PLATED Ni OVER ALL	5	PCS
① HOUSING	LCP	UL 94V-0 BLACK	1	PCS
ITEM DESCRIPTIONS	MATERIAL	FINISH	Q'TY NOTE	
UNLESS OTHERWISE SPECIFIED DIMENSION ARE IN MILLIMETERS TOLERANCE ARE :		PART NO. MJ824C-5A30-40Q		
FRACTION DECIMALS ANGLES		TITLE MICRO USB FEMALE SMT TYPE		
632L ±0.5	°' ±5'	APPROVALS	DATE	
165L<63 ±0.4	°' ±3'	DRAWN	2019/02/14	
45L<16 ±0.3		CHECKED	2019/02/14	
L<4 ±0.2		APPROVED	2019/02/14	
3rd ANGLE PROJECTION		SCALE	N/A	UNIT mm SHEET 1/1
		CONFIDENTIAL	SIZE VERSION	CUST. P/N
			A4 X1	