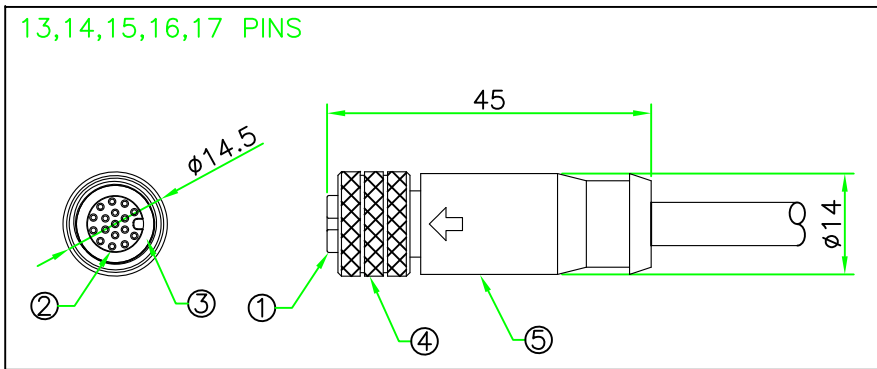
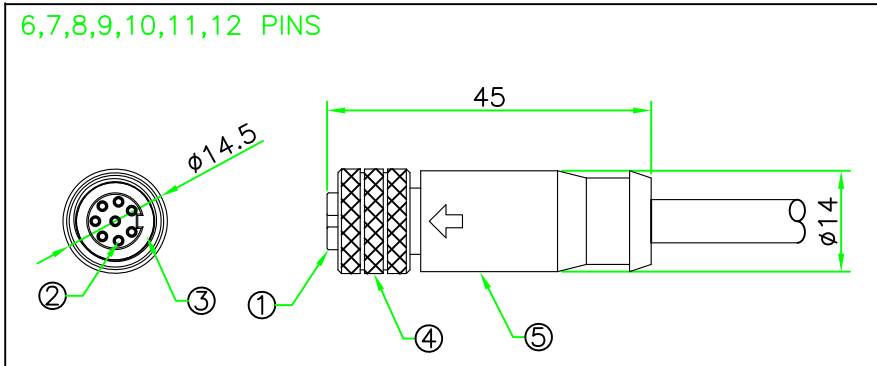
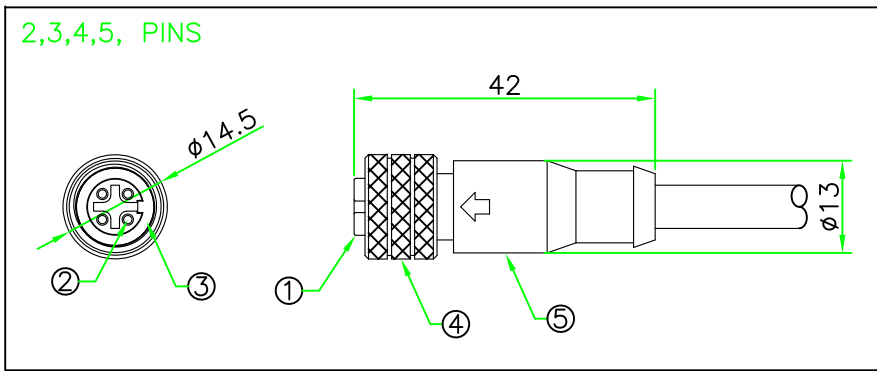


RoHS

IP66-68



B2

REV.	DESCRIPTION	DATE
A	ISSUE	Dec/22/2009
B	Add 12 Poles	Jan/11/2010
B1	Add Item	May/11/2015
B2	Add 13~17 Pin	Sep/28/2018

NOTES:

- ELECTRICAL CHARACTERISTICS:  
 CURRENT RATING: 1.5A / 2A / 4A  
 TEMPERATURE RANGE: -20°C TO +80°C  
 DIELECTRIC WITHSTANDING VOLTAGE:  
 500V AC FOR ONE MINUTE

2. HOW TO ORDER: A12x-M2xxSN

02 - 2 PINS	10 - 10 PINS
03 - 3 PINS	11 - 11 PINS
04 - 4 PINS	12 - 12 PINS
05 - 5 PINS	13 - 13 PINS
06 - 6 PINS	14 - 14 PINS
07 - 7 PINS	15 - 15 PINS
08 - 8 PINS	16 - 16 PINS
09 - 9 PINS	17 - 17 PINS

- I - CURRENT RATING 1.5A
- N - CURRENT RATING 2A
- D - CURRENT RATING 4A

\*Cable specification and length can be customized.  
 \*Pin Assignment Next Page.

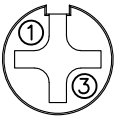
No.	PART NAME	DESCRIPTION	COLOR	Q'TY	REMARKS
5	OVERMOLD	PU or PVC.	BLACK	1	
4	RING NUT	Brass, Nickel Plated.		1	
3	O-RING	Viton.	BLACK	1	
2	CONTACT	Brass , 6 u" Gold Plated. Female Contact.		N	
1	CONNECTOR	M12 A-Coding Female Connector Insert. Nylon+GF.	BLACK	1	

**HOLIN**® HTP ASIA TECHNOLOGY CO., LTD.  
 禾凌科技股份有限公司

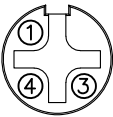
UNIT: mm	TITLE :	M12 A-Coding Female molded cable Ass'y
SCALE 1:1	P/N:	A12x-M2xxSN
UNLESS OTHERWISE SPECIFIED TOLERANCES: x ±0.5 xx ±0.25 xxx ±0.1 ANGLE ±1'	DR.	SIBYL
REV. B2	SHEET 1/2	CH. ERIC
	DWG.NO:	A12x-M2xxSN
		AP.

REV.	DESCRIPTION	DATE
A	ISSUE	Dec/22/2009
B	Add 12 Poles	Jan/11/2010
B1	Add Item	May/11/2015
B2	Add 13~17 Pin	Sep/28/2018

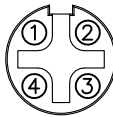
B2



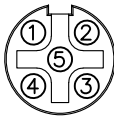
A12D-M202SN



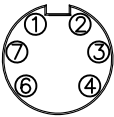
A12D-M203SN



A12D-M204SN



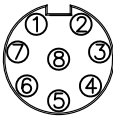
A12D-M205SN



A12N-M206SN



A12N-M207SN



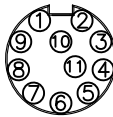
A12N-M208SN



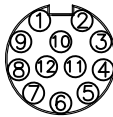
A12I-M209SN



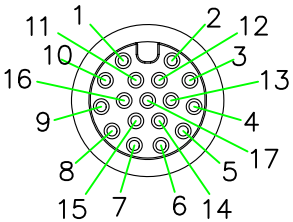
A12I-M210SN



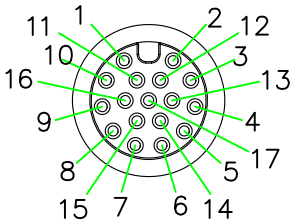
A12I-M211SN



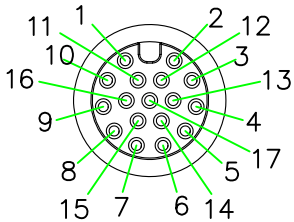
A12I-M212SN



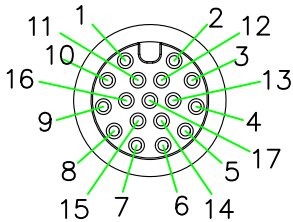
A12I-M213SN



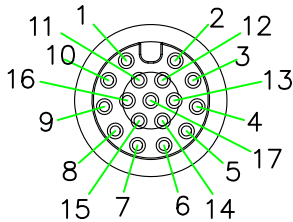
A12I-M214SN



A12I-M215SN



A12I-M216SN



A12I-M217SN

PIN ASSIGNMENT FRONT VIEW  
(前視圖)

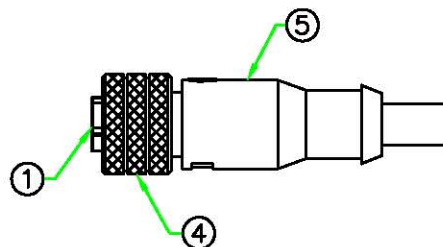
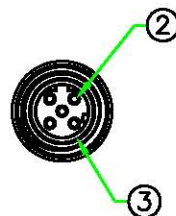
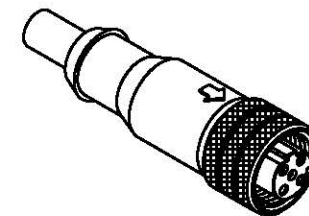
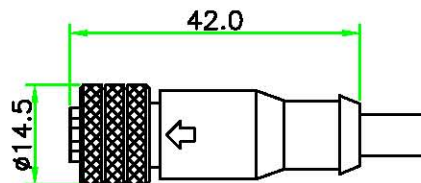
**HOLIN**® HTP ASIA TECHNOLOGY CO., LTD.  
禾凌科技股份有限公司

	UNIT:mm	TITLE M12 A-Coding Female molded cable Ass'y	
SCALE	2:1		
UNLESS OTHERWISE SPECIFIED TOLERANCES: x ±0.5 xx ±0.25 xxx ±0.1 ANGLE ± 1'		P/N: A12x-M2xxSN	DR. SIBYL
REV. B2	SHEET 2/2	DWG.NO: A12x-M2xxSN	CH. ERIC
			AP.

RoHS

IP66-68

REV.	DESCRIPTION	DATE
A	ISSUE	Jul/21/2015



NOTES:

1. ELECTRICAL CHARACTERISTICS:

CURRENT RATING: 4A

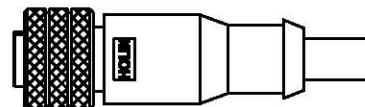
TEMPERATURE RANGE: -20°C TO +80°C

DIELECTRIC WITHSTANDING VOLTAGE:

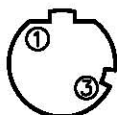
500V AC FOR ONE MINUTE

2. HOW TO ORDER: D12D-M2xxSN

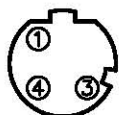
- 02 - 2 PIN
- 03 - 3 PIN
- 04 - 4 PIN
- 05 - 5 PIN



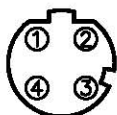
\*Cable specification and length can be customized.



D12D-M202SN



D12D-M203SN



D12D-M204SN



D12D-M205SN

Pin Assignment Front View (前視圖)

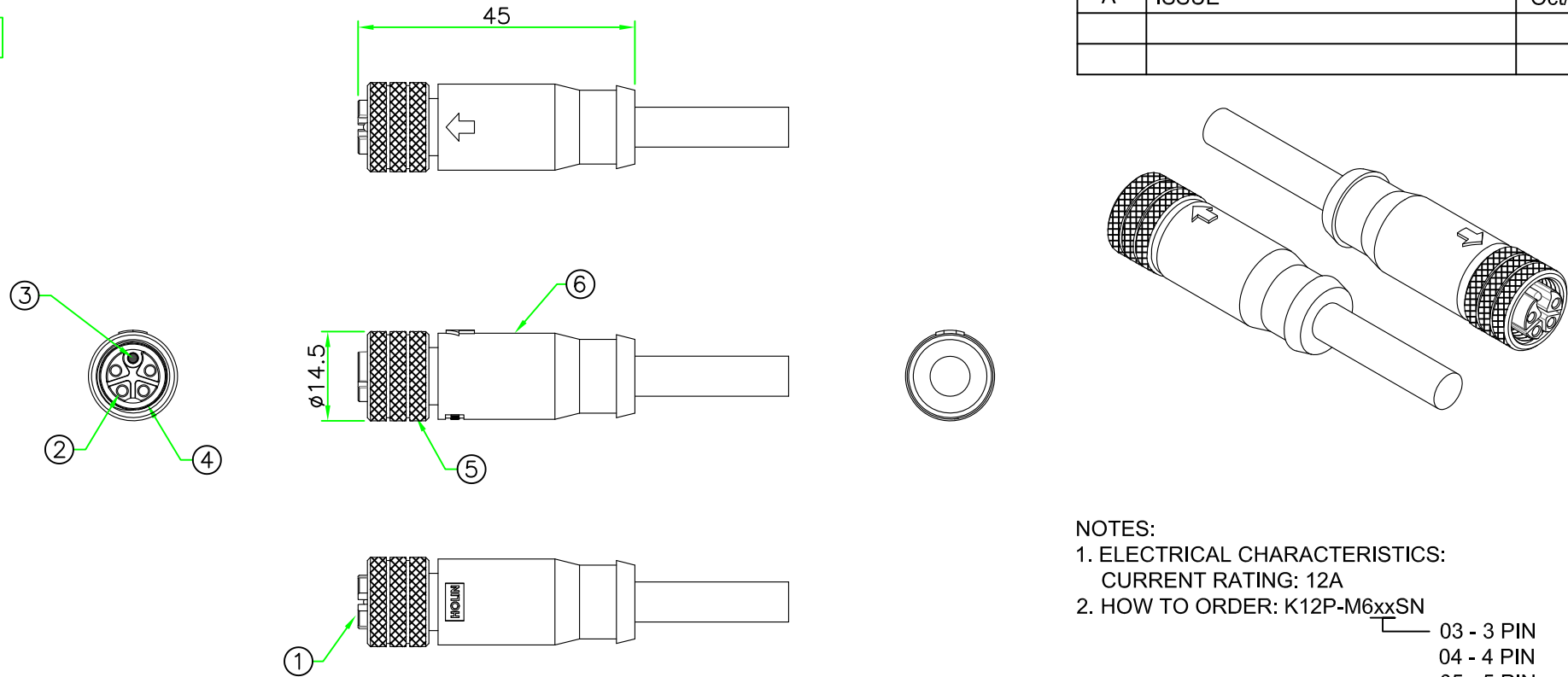
No.	PART NAME	DESCRIPTION	COLOR	Q'TY	REMARKS
5	OVERMOLD	PU or PVC.	BLACK		
4	RING NUT	BRASS, Nickel Plated.		1	
3	O-RING	VITON	BLACK	1	
2	CONTACT	BRASS, 6u" Gold Plated. Female Pin.		N	
1	CONNECTOR	M12 D-Coding Female Connector Insert, NYLON+GF.	BLACK	1	

<b>HOLIN®</b> HTP ASIA TECHNOLOGY CO., LTD. 禾凌科技股份有限公司		<b>TITLE</b> M12 D-Coding Female Connector Molded Cable Ass'y	
	<b>UNIT:</b> mm	<b>P/N:</b> D12D-M2xxSN	<b>DR.</b> Patty
<b>SCALE</b>	1:1	<b>CH.</b> ERIC	
<b>UNLESS OTHERWISE SPECIFIED TOLERANCES:</b> X ± 0.5    XX ± 0.25 XXX ± 0.1    ANGLE ± 1°		<b>DWG.NO:</b> D12D-M2xxSN	<b>AP.</b>
<b>REV.</b> A	<b>SHEET</b> 1/1		

RoHS

IP66-68

REV.	DESCRIPTION	DATE
A	ISSUE	Oct/11/2018



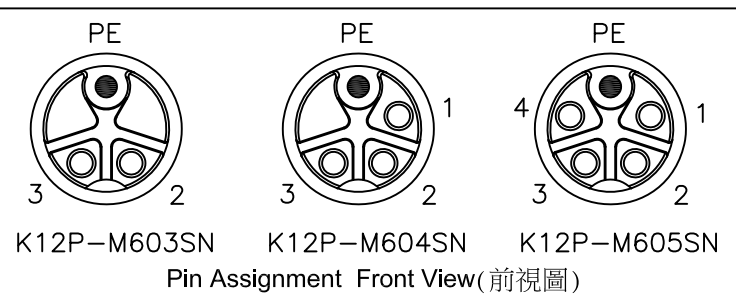
NOTES:

1. ELECTRICAL CHARACTERISTICS:  
CURRENT RATING: 12A

2. HOW TO ORDER: K12P-M6xxSN

- 03 - 3 PIN
- 04 - 4 PIN
- 05 - 5 PIN

\*Cable specification and length can be customized.



No.	PART NAME	DESCRIPTION	COLOR	Q'TY	REMARKS
6	OVERMOLD	PU or PVC.	BLACK	1	
5	RING NUT	Brass, Nickel Plated.		1	M12F-RN(B6)
4	O-RING	Viton.	BLACK	1	O-0715-VK01
3	CONTACT	Brass , 6 u" Gold Plated. Male Contact.		1	PM1.5SL21.6-01(A)
2	CONTACT	Brass , 6 u" Gold Plated. Female Contact.		N	PF1.5SL20.6-01(A)
1	CONNECTOR	M12 K-Coding Female Connector Insert. Nylon+GF.	BLACK	1	

**HOLIN®** HTP ASIA TECHNOLOGY CO., LTD.  
禾凌科技股份有限公司

UNIT: mm  
SCALE 1:1

TITLE : M12 K-Coding Female Connector Molded Cable Ass'y

P/N: K12P-M6xxSN  
DWG.NO: K12P-M6xxSN

UNLESS OTHERWISE SPECIFIED TOLERANCES:  
X ± 0.5 XX ± 0.25  
XXX ± 0.1 ANGLE ± 1'

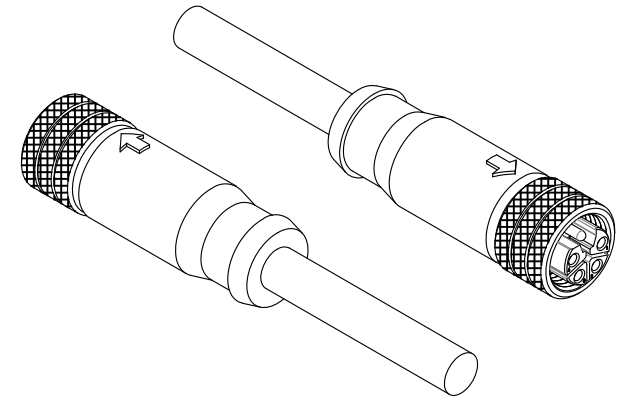
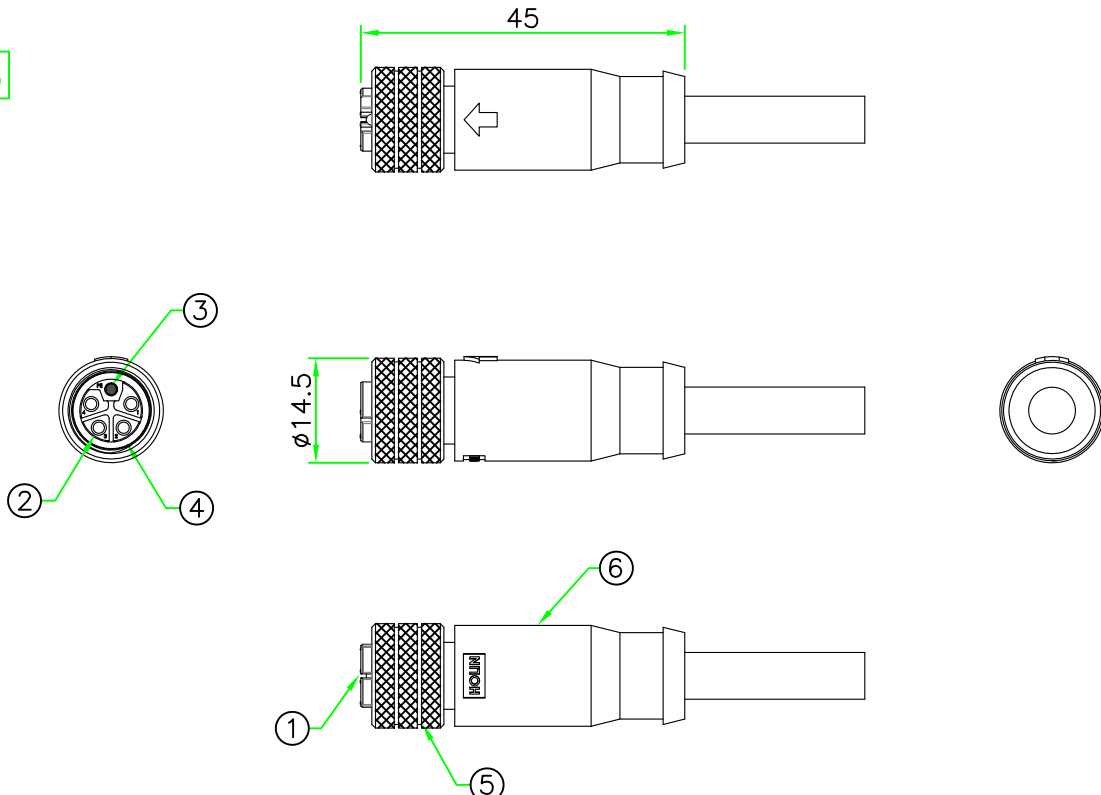
REV. A SHEET 1/1

DR. SIBYL  
CH. ERIC  
AP.

RoHS

IP66-68

REV.	DESCRIPTION	DATE
A	ISSUE	Oct/15/2018

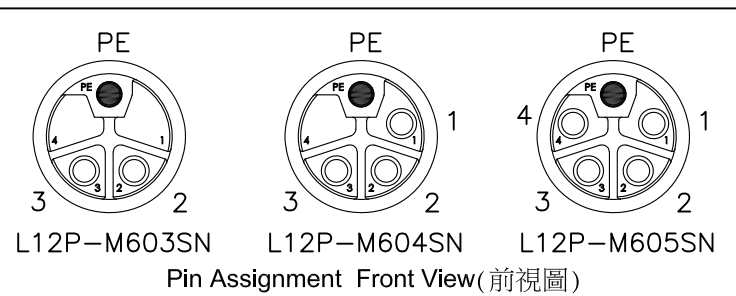


NOTES:

- ELECTRICAL CHARACTERISTICS:  
CURRENT RATING: 12A
- HOW TO ORDER: L12P-M6xxSN

- 03 - 3 PIN
- 04 - 4 PIN
- 05 - 5 PIN

\*Cable specification and length can be customized.



No.	PART NAME	DESCRIPTION	COLOR	Q'TY	REMARKS
6	OVERMOLD	PU or PVC.	BLACK	1	
5	RING NUT	Brass, Nickel Plated.		1	M12F-RN(B6)
4	O-RING	Viton.	BLACK	1	O-0715-VK01
3	CONTACT	Brass , 6 u" Gold Plated. Male Contact.		1	PM1.5SL21.6-01(A)
2	CONTACT	Brass , 6 u" Gold Plated. Female Contact.		N	PF1.5SL20.6-01(A)
1	CONNECTOR	M12 L-Coding Female Connector Insert. Nylon+GF.	BLACK	1	

**HOLIN**® HTP ASIA TECHNOLOGY CO., LTD.  
禾凌科技股份有限公司

UNIT: mm  
SCALE 1:1

TITLE : M12 L-Coding Female Connector Molded Cable Ass'y

UNLESS OTHERWISE SPECIFIED TOLERANCES:  
X ± 0.5 XX ± 0.25  
XXX ± 0.1 ANGLE ± 1'

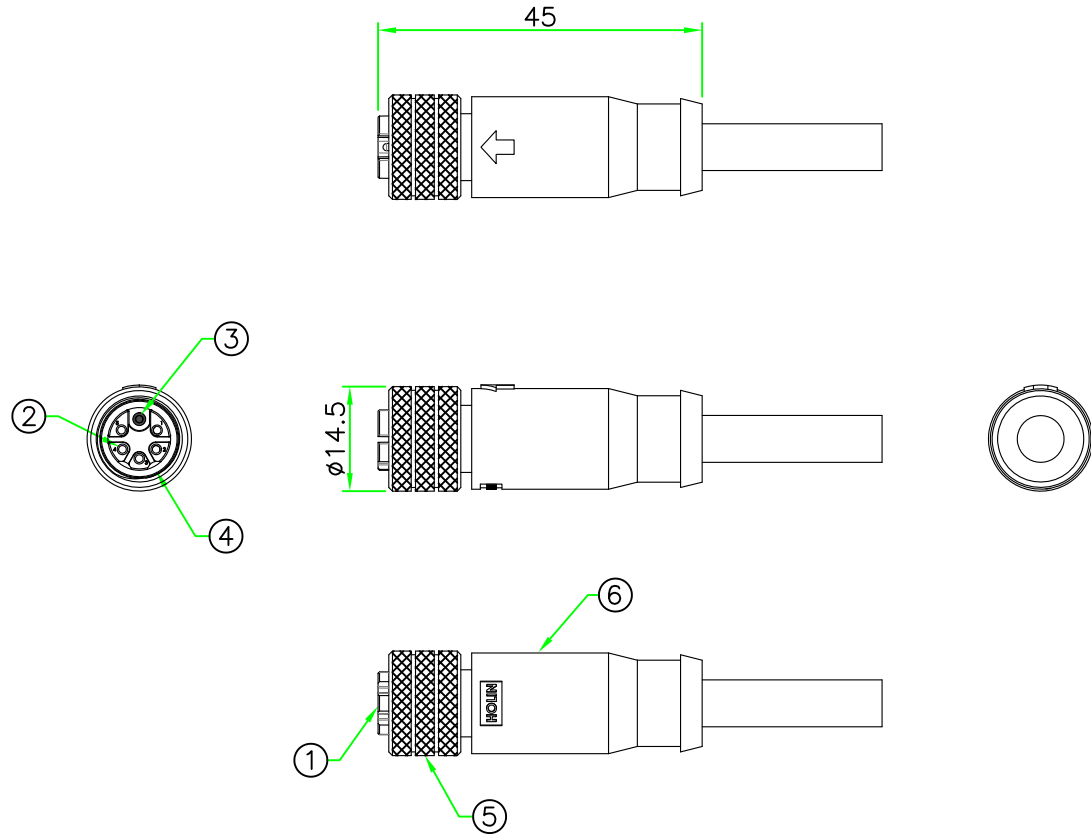
P/N: L12P-M6xxSN  
DWG.NO: L12P-M6xxSN

DR. SIBYL  
CH. ERIC  
AP.

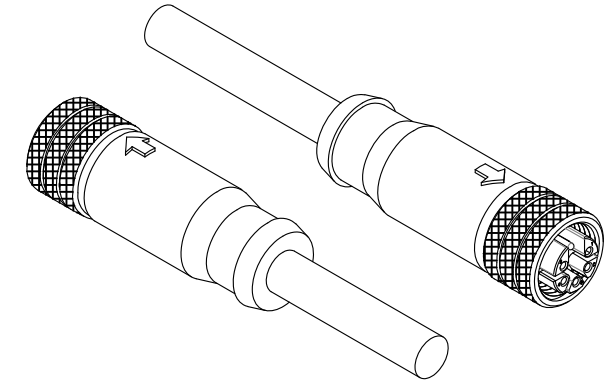
REV. A SHEET 1/1

RoHS

IP66-68



REV.	DESCRIPTION	DATE
A	ISSUE	Oct/15/2018

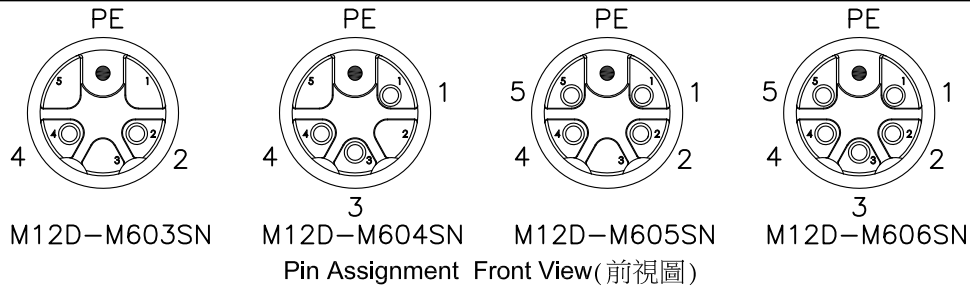


NOTES:

- ELECTRICAL CHARACTERISTICS:  
CURRENT RATING: 8A
- HOW TO ORDER: M12D-M6xxSN

- 03 - 3 PIN
- 04 - 4 PIN
- 05 - 5 PIN
- 06 - 6 PIN

\*Cable specification and length can be customized.

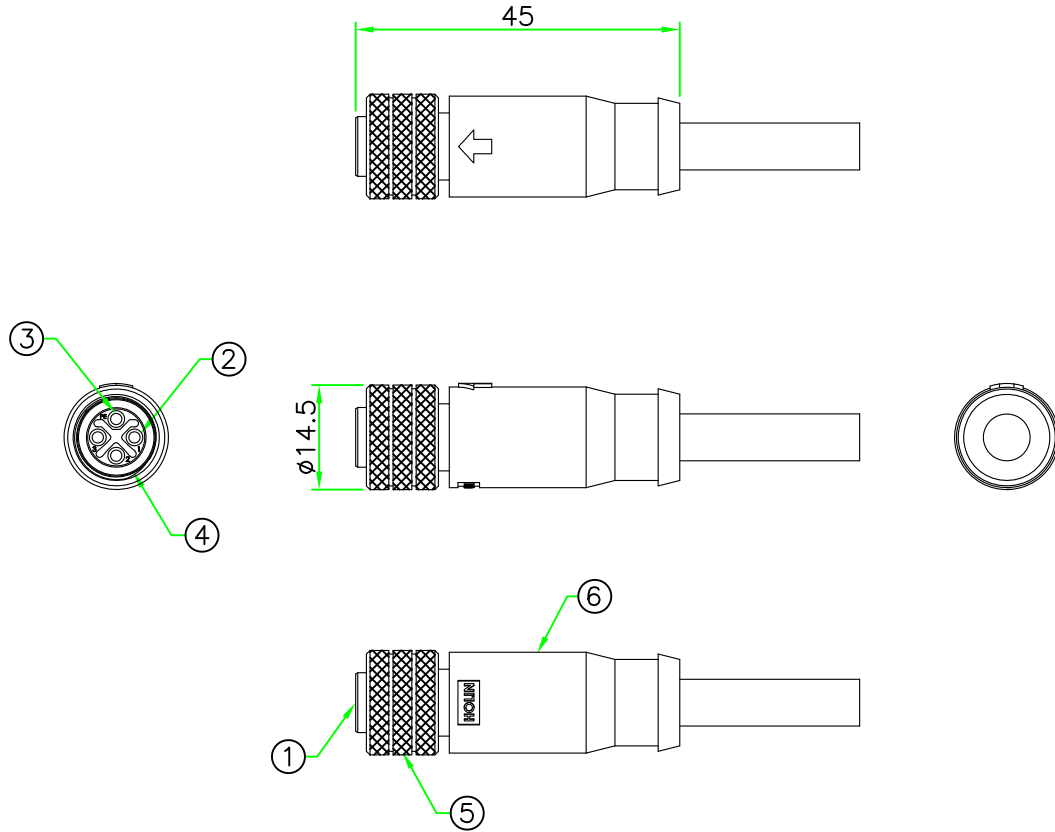


No.	PART NAME	DESCRIPTION	COLOR	Q'TY	REMARKS
6	OVERMOLD	PU or PVC.	BLACK	1	
5	RING NUT	Brass, Nickel Plated.		1	M12F-RN(B6)
4	O-RING	Viton.	BLACK	1	O-0715-VK01
3	CONTACT	Brass, 6 u" Gold Plated. Male Contact.		1	M12M-1.0SPL22(B)
2	CONTACT	Brass, 6 u" Gold Plated. Female Contact.		N	M12F-1.0SPL20.5(A1)
1	CONNECTOR	M12 M-Coding Female Connector Insert. Nylon+GF.	BLACK	1	

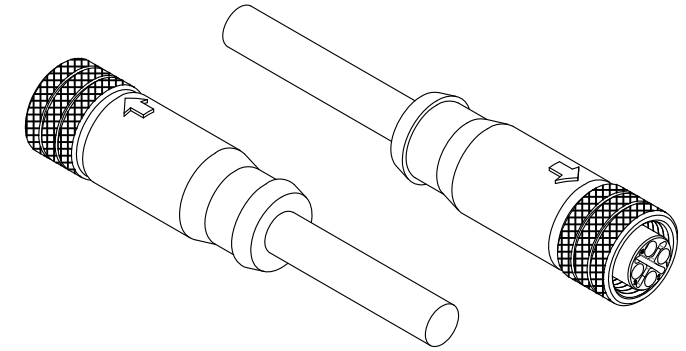
<b>HOLIN®</b> HTP ASIA TECHNOLOGY CO., LTD. 禾凌科技股份有限公司					
		UNIT: mm	TITLE : M12 M-Coding Female Connector Molded Cable Ass'y		
SCALE	1:1	P/N: M12D-M6xxSN		DR.	SIBYL
UNLESS OTHERWISE SPECIFIED TOLERANCES:		P/N: M12D-M6xxSN		CH.	ERIC
X ± 0.5	XX ± 0.25	DWG.NO: M12D-M6xxSN		AP.	
XXX ± 0.1	ANGLE ± 1'	REV. A	SHEET 1/1		

RoHS

IP66-68



REV.	DESCRIPTION	DATE
A	ISSUE	Oct/15/2018

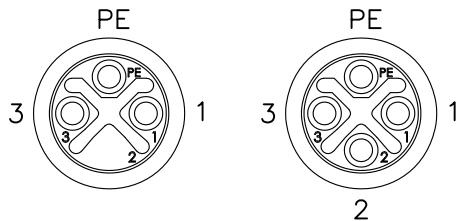


NOTES:

- ELECTRICAL CHARACTERISTICS:  
CURRENT RATING: 12A
- HOW TO ORDER: S12P-M2xxSN

03 - 3 PIN  
04 - 4 PIN

\*Cable specification and length can be customized.



S12P-M203SN S12P-M204SN  
Pin Assignment Front View(前視圖)

No.	PART NAME	DESCRIPTION	COLOR	Q'TY	REMARKS
6	OVERMOLD	PU or PVC.	BLACK	1	
5	RING NUT	Brass, Nickel Plated.		1	M12F-RN(B6)
4	O-RING	Viton.	BLACK	1	O-0715-VK01
3	CONTACT	Brass , 6 u" Gold Plated. Female Contact.		1	PF1.5SL21.5-01(A1)
2	CONTACT	Brass , 6 u" Gold Plated. Female Contact.		N	PF1.5SL21-01(A1)
1	CONNECTOR	M12 S-Coding Female Connector Insert. Nylon+GF.	BLACK	1	

**HOLIN**® HTP ASIA TECHNOLOGY CO., LTD.  
禾凌科技股份有限公司

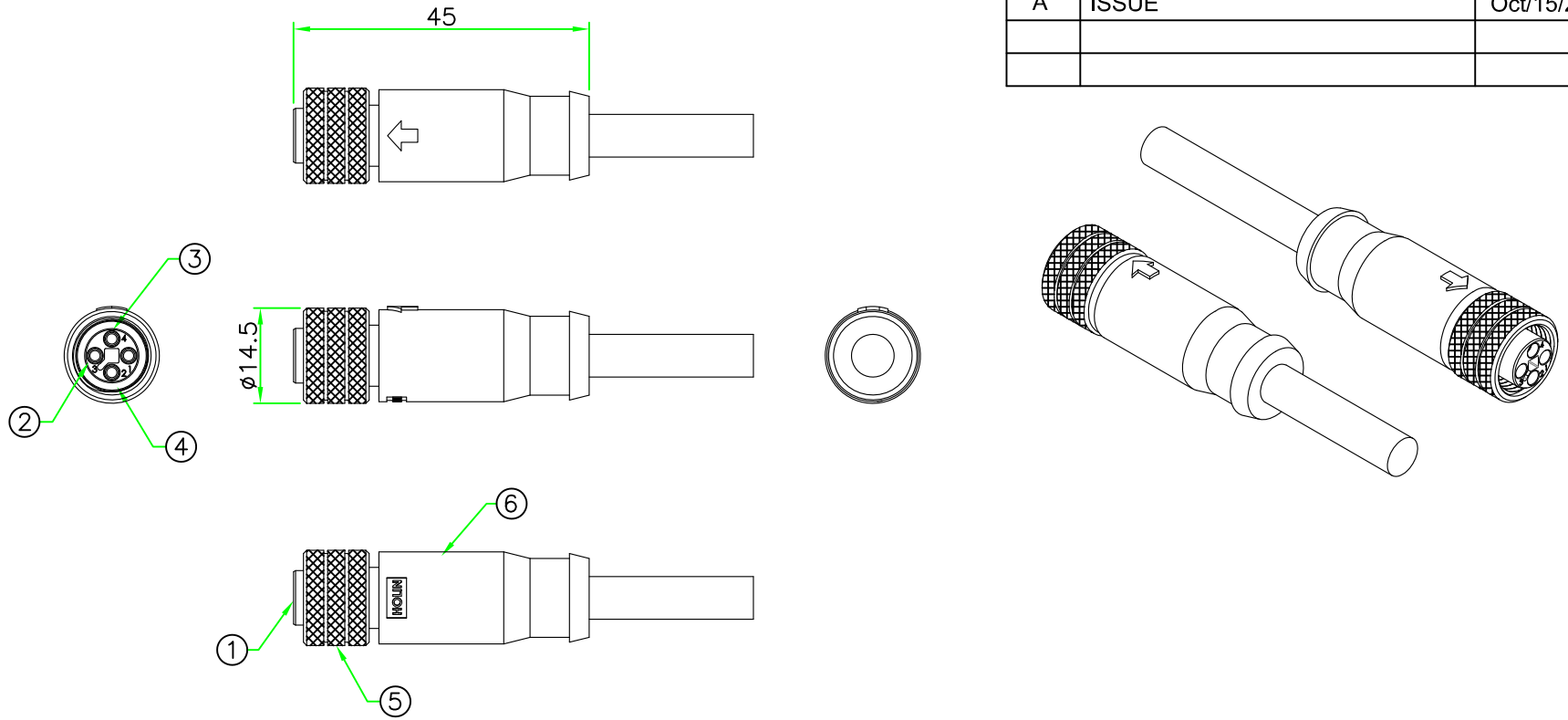
	UNIT: mm	TITLE : M12 S-Coding Female Connector Molded Cable Ass'y
SCALE	1:1	
UNLESS OTHERWISE SPECIFIED TOLERANCES: X ± 0.5 XX ± 0.25 XXX ± 0.1 ANGLE ± 1'		P/N: S12P-M2xxSN
REV. A	SHEET 1/1	DWG.NO: S12P-M2xxSN
		DR. SIBYL CH. ERIC AP.



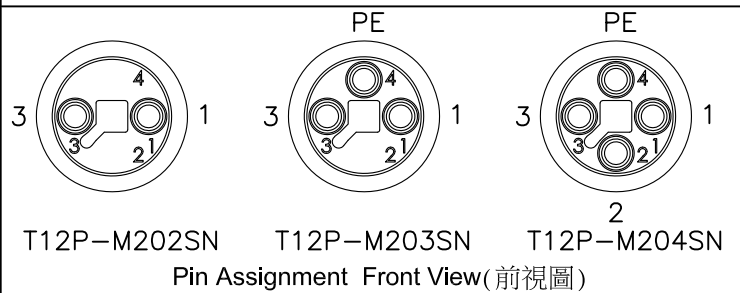
RoHS

IP66-68

REV.	DESCRIPTION	DATE
A	ISSUE	Oct/15/2018



\*Cable specification and length can be customized.



NOTES:

1. ELECTRICAL CHARACTERISTICS:

CURRENT RATING: 12A

2. HOW TO ORDER: T12P-M2xxSN

02 - 2 PIN

03 - 3 PIN

04 - 4 PIN

6	OVERMOLD	PU or PVC.	BLACK	1	
5	RING NUT	Brass, Nickel Plated.		1	M12F-RN(B6)
4	O-RING	Viton.	BLACK	1	O-0715-VK01
3	CONTACT	Brass , 6 u" Gold Plated. Female Contact.		1	PF1.5SL21.5-01(A1)
2	CONTACT	Brass , 6 u" Gold Plated. Female Contact.		N	PF1.5SL21-01(A1)
1	CONNECTOR	M12 T-Coding Female Connector Insert. Nylon+GF.	BLACK	1	
No.	PART NAME	DESCRIPTION	COLOR	Q'TY	REMARKS

HOLIN® HTP ASIA TECHNOLOGY CO., LTD. 禾凌科技股份有限公司					
		UNIT: mm	TITLE : M12 T-Coding Female Connector Molded Cable Ass'y		
SCALE	1:1	P/N: T12P-M2xxSN		DR.	SIBYL
UNLESS OTHERWISE SPECIFIED TOLERANCES:		P/N: T12P-M2xxSN		CH.	ERIC
X ± 0.5	XX ± 0.25	DWG.NO: T12P-M2xxSN		AP.	
XXX ± 0.1	ANGLE ± 1'	REV. A	SHEET 1/1		