


GPD-50...

- Compact, rugged construction, High over pressure
- Thick stainless steel pressure measuring element
- Clearly readable display, Sensitive operation keys
- Diagnostic function
- suitable for an extremely wide range of demanding industrial applications
- Certified : 
- Connector : page 63
- Accessories : page 63
- dimensional drawing : page 64
- Wiring diagram : page 64
- -----

Pressure Switch type ⁽¹⁾		GPD-502-070B-...	GPD-508-070B-...
Medium		Liquids and gases	
Pressure range		0 ... 60 bar, Relative ⁽²⁾	
Max. allowable pressure		180 bar / 360 bar	
Power supply		17 ... 33 VDC	
Rated operation current (Digital output)		200 mA	
Temperature		-20 ... +80 °C	
Protection class		IP67	
Materials in contact with the medium	Pressure connection	Stainless steel 1.4404 / AISI 316L	
	Sensor	stainless steel	
	Sealing material	FPM	
Current consumption		≤ 50 mA	
Load resistance	4...20 mA Current output	< 0.5 kΩ	
	0...10 V Voltage output	>10 kΩ	
Response time		≤ 5 ms	
Electrical protection		Short circuit proof and protected against polarity reversal. Each connection is protected against crossover up to max. supply voltage.	
TC		≤ ± 0.2 % fs /10 K	
Total of linearity hysteresis and repeatability		≤ ± 0.5 % fs	
Tolerance zero point		≤ ± 0.1 % fs	
Shock		50 g(11ms half sine wave), acc. IEC 60068-2-27	
Vibration		20 g (10 ... 2000 Hz), acc. IEC 60068-2-6	
Electrical connection ⁽³⁾		Connector M12x1, Metal thread	
Pressure connection ⁽⁴⁾		G1/4" Inside thread, with O-Ring sealing FPM spez.	G1/4" Outside thread , DIN 3852
Output type —Type, Order No.	4...20 mA Current output +1 DO(PNP)	GPD-502-070B-3 , A514A105	GPD-508-070B-3 , A574A105
	0...10 V Voltage output + 1 DO(PNP)	GPD-502-070B-4 , A514A106	GPD-508-070B-4 , A574A106
	2 DO(PNP)	GPD-502-070B-2 , A514A104	GPD-508-070B-2 , A574A104
	4...20 mA Current output +2 DO(PNP)	GPD-502-070B-5 , A514A107	GPD-508-070B-5 , A574A107
	0...10 V Voltage output + 2 DO(PNP)	GPD-502-070B-6 , A514A108	GPD-508-070B-6 , A574A108

(1)Other types please see "type selection guide" or ask relative PM

(2)Types with absolute pressure measuring haven't provided at present, ask PM if necessary

(3)Other types with different electric connection please see dimension drawing and ask relative PM at the same time

(4)Other types with different pressure connection please see dimension drawing and ask relative PM at the same time

50 Series Pressure Switch With Digital Display



GPD-502-100B-...	GPD-508-100B-...	GPD-502-160B-...	GPD-508-160B-...
Liquids and gases		Liquids and gases	
0 ... 100 bar, Relative (2)		0 ... 160 bar, Relative (2)	
300 bar / 600 bar		480 bar / 960 bar	
17 ... 33 VDC		17 ... 33 VDC	
200 mA		200 mA	
-20 ... +80 °C		-20 ... +80 °C	
IP67		IP67	
Stainless steel 1.4404 / AISI 316L		Stainless steel 1.4404 / AISI 316L	
stainless steel		stainless steel	
FPM		FPM	
≤ 50 mA		≤ 50 mA	
< 0.5 kΩ		< 0.5 kΩ	
>10 kΩ		>10 kΩ	
≤ 5 ms		≤ 5 ms	
Short circuit proof and protected against polarity reversal. Each connection is protected against crossover up to max. supply voltage.		Short circuit proof and protected against polarity reversal. Each connection is protected against crossover up to max. supply voltage.	
≤ ± 0.2 % fs /10 K		≤ ± 0.2 % fs /10 K	
≤ ± 0.5 % fs		≤ ± 0.5 % fs	
≤ ± 0.1 % fs		≤ ± 0.1 % fs	
50 g(11ms half sine wave), acc. IEC 60068-2-27		50 g(11ms half sine wave), acc. IEC 60068-2-27	
20 g (10 ... 2000 Hz), acc. IEC 60068-2-6		20 g (10 ... 2000 Hz), acc. IEC 60068-2-6	
Connector M12x1, Metal thread		Connector M12x1, Metal thread	
G1/4" Inside thread, with O-Ring sealing FPM spez.	G1/4" Outside thread , DIN 3852	G1/4" Inside thread, with O-Ring sealing FPM spez.	G1/4" Outside thread , DIN 3852
GPD-502-100B-3 , A514B105	GPD-508-100B-3 , A574B105	GPD-502-160B-3 , A514C105	GPD-508-160B-3 , A574C105
GPD-502-100B-4 , A514B106	GPD-508-100B-4 , A574B106	GPD-502-160B-4 , A514C106	GPD-508-160B-4 , A574C106
GPD-502-100B-2 , A514B104	GPD-508-100B-2 , A574B104	GPD-502-160B-2 , A514C104	GPD-508-160B-2 , A574C104
GPD-502-100B-5 , A514B107	GPD-508-100B-5 , A574B107	GPD-502-160B-5 , A514C107	GPD-508-160B-5 , A574C107
GPD-502-100B-6 , A514B108	GPD-508-100B-6 , A574B108	GPD-502-160B-6 , A514C108	GPD-508-160B-6 , A574C108

(1)Other types please see "type selection guide" or ask relative PM

(2)Types with absolute pressure measuring haven't provided at present, ask PM if necessary

(3)Other types with different electric connection please see dimension drawing (4)Other types with different pressure connection please see dimension drawing and ask relative PM at the same time

50 Series Pressure Switch With Digital Display

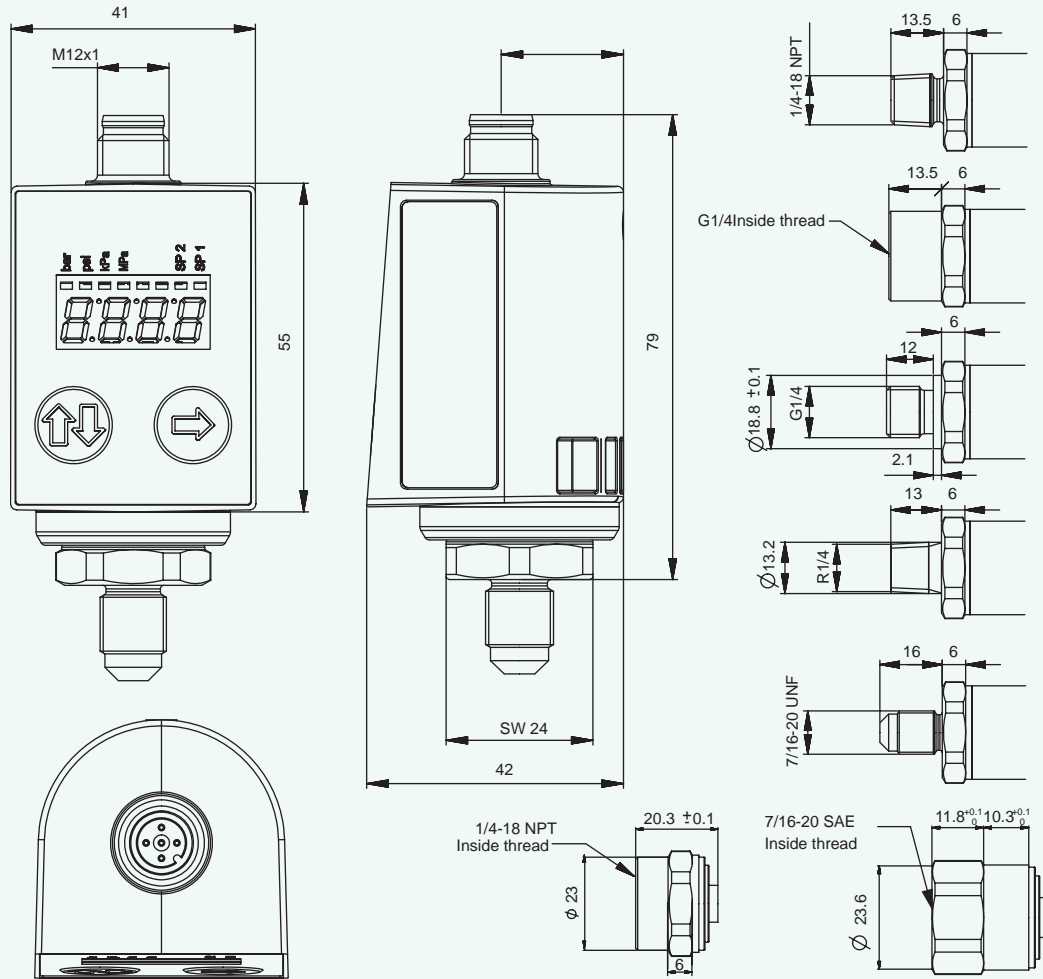
Electrical connections (5)		(5)Other connector types please ask connector product manager				
Precast cable	Pin Number	Cable Length	Order code	Type		
M12X1 Straight Female Connector 	4	2m	10011010	EK4-2M/P00		
		5m	10011011	EK4-5M/P00		
		10m	10011012	EK4-10M/P00		
		5	2m	10011020	EK4.5-2M/P00	
			5m	10011021	EK4.5-5M/P00	
			10m	10011022	EK4.5-10M/P00	
M12X1 Angle Female Connector 	4	2m	10011040	ELK4-2M/P00		
		5m	10011041	ELK4-5M/P00		
		10m	10011042	ELK4-10M/P00		
		5	2m	10011050	ELK4.5-2M/P00	
			5m	10011051	ELK4.5-5M/P00	
			10m	10011052	ELK4.5-10M/P00	

Swift connector	Pin Number	Cable diameter	Outlet	Order code	Type
M12X1 Straight Female Connector 	4	4-6 mm	PG7	10091000	EK4112-0/7
		6-8 mm	PG9	10091001	EK4112-0/9
	5	6-8 mm	PG9	10091002	EK5112-0/9
M12X1 Angle Female Connector 	4	4-6 mm	PG7	10091010	ELK4112-0/7
		6-8 mm	PG9	10091011	ELK4112-0/9
	5	6-8 mm	PG9	10091012	ELK5112-0/9

Accessories (6) (6)Other mounting accessories types with different thread please ask relative product manager

Instruction	Type , Order code
<p>Thread conversion device , G1/4" to G1/4" Outside thread Shell material: Stainless steel</p>	GPA-G1/4M-G1/4M-A4 , B5130010
<p>Thread conversion device , G1/4" to G1/2" Outside thread Shell material: Stainless steel</p>	GPA-G1/4M-G1/2M-A4 , B5140010
<p>Thread conversion device , G1/4" to M12X1 Outside thread Shell material: Stainless steel</p>	GPA-G1/4M-M20X1.5M-A4 , B5180010
<p>Thread conversion device , G1/4" Inside to G1/4" Outside thread Shell material: Stainless steel</p>	GPA-G1/4F-G1/4M-A4 , B5130110
<p>Thread conversion device , G1/4" Inside to G1/2" Outside thread Shell material: Stainless steel</p>	GPA-G1/4F-G1/2M-A4 , B5140110

Dimensional drawing



Wiring diagram

M12x1 circular connectors

