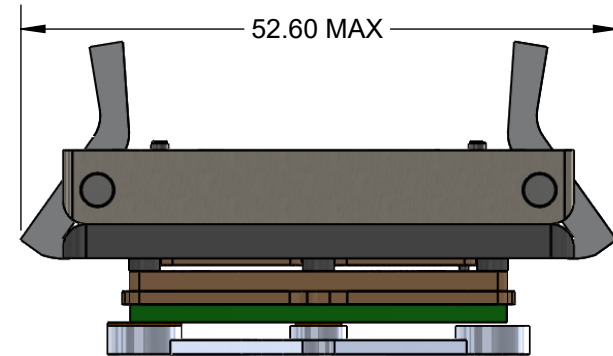


ISO VIEW

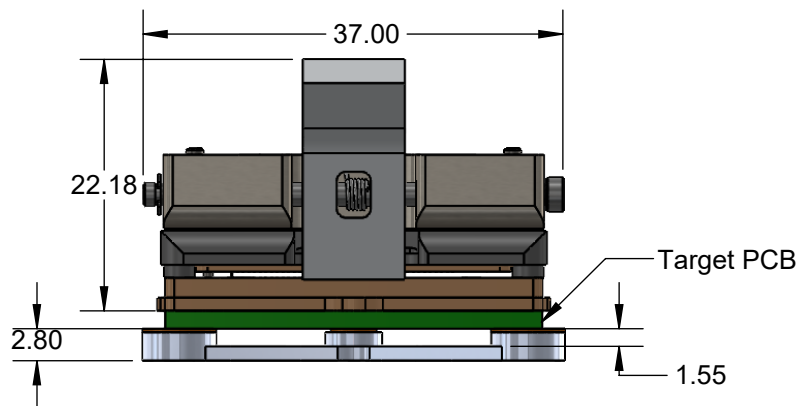
FEATURES:

- Wide temperature range (-55C to +180C)
- High current capability (up to 4A)
- Excellent signal integrity at high frequencies
- Low and stable contact resistance for reliable production yield
- Highly compliant to accommodate wide co-planarity variations
- Automated probe manufacturing enables low cost and short lead time

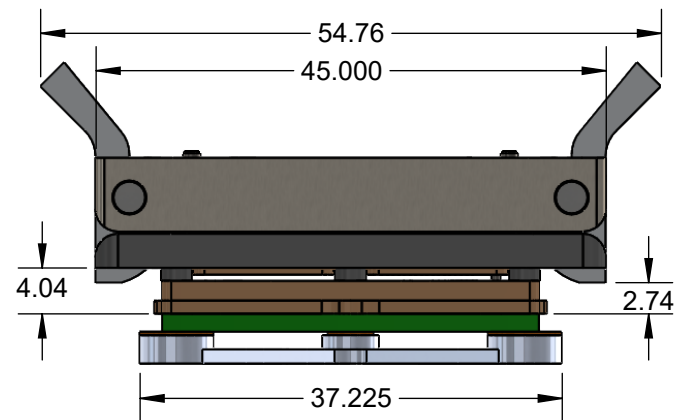


SIDE VIEW

LATCH - OPEN POSITION




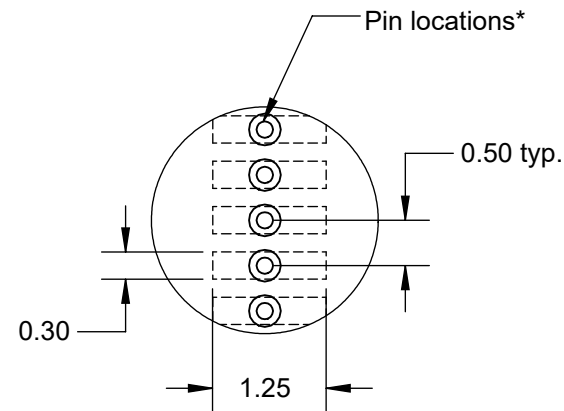
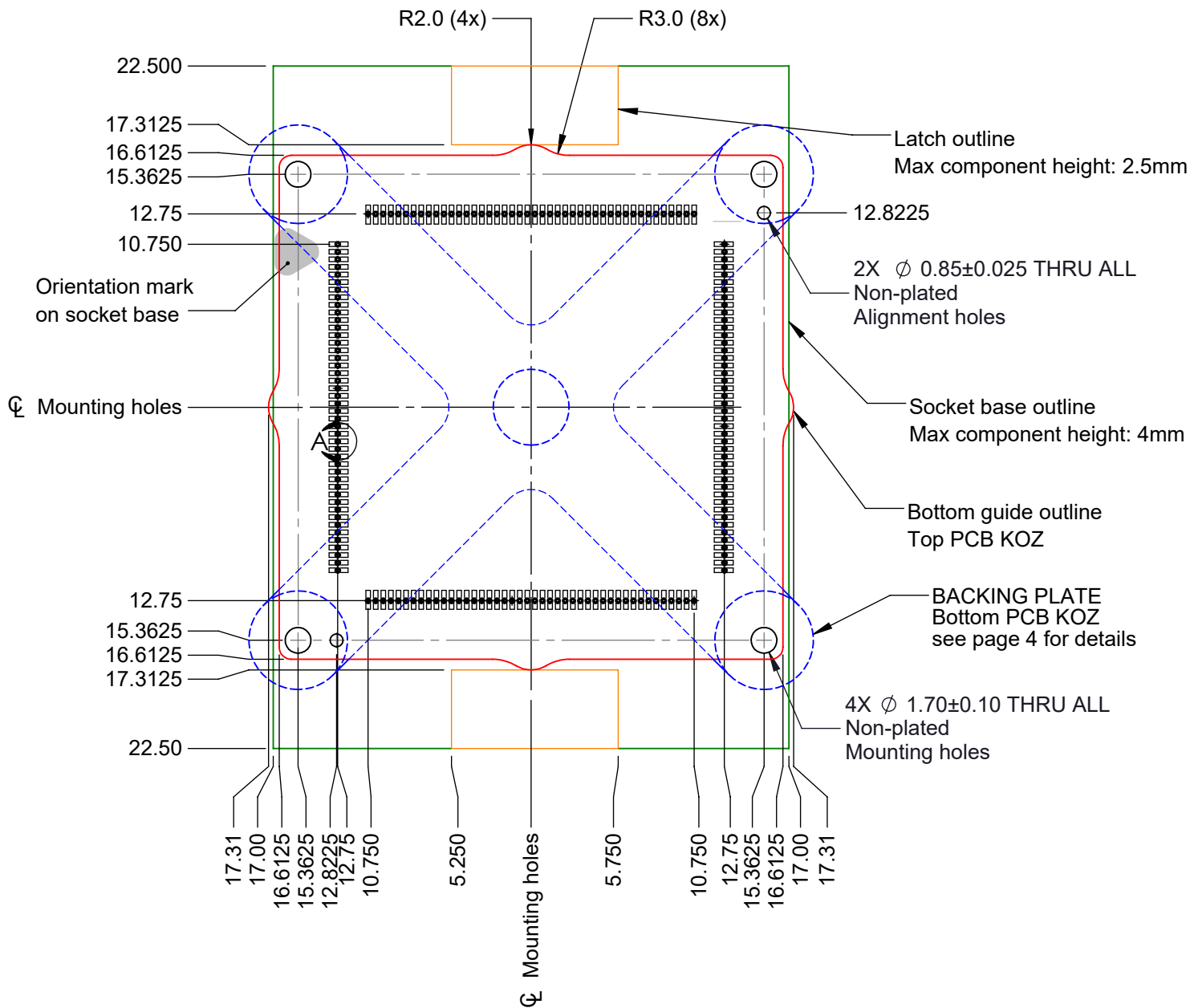
FRONT VIEW



Description: Open Top CBT socket for 0.5mm pitch 24mm sq 26mm tip-tip 176 pin QFP package

Primary dimension units are millimeters, Secondary dimension units are [inches], Weight is in grams.
 Tolerances: Hole diameters $\pm 0.03\text{mm}$ [$\pm 0.001"$], Pitches (from true position) $\pm 0.025\text{mm}$ [$\pm 0.001"$], substrate thickness tolerance $\pm 10\%$, all other tolerances $\pm 0.13\text{mm}$ [$\pm 0.005"$] unless stated otherwise. Materials and specifications are subject to change without notice.

 CBT-QFE-3012 Drawing Ironwood Electronics, Inc. Tele: (800) 404-0204 www.ironwoodelectronics.com	Material: N/A Finish: N/A Weight: 35.20	STATUS: Released ENG: E. Smolentseva FILE: CBT-QFE-3012 Dwg	SHEET: 1 OF 5 DRAWN BY: E. Smolentseva DATE: 05/17/2017	REV. A SCALE: 1.5:1



DETAIL A
SCALE 12 : 1

Description: Recommended PCB Layout


Primary dimension units are millimeters, Secondary dimension units are [inches], Weight is in grams.

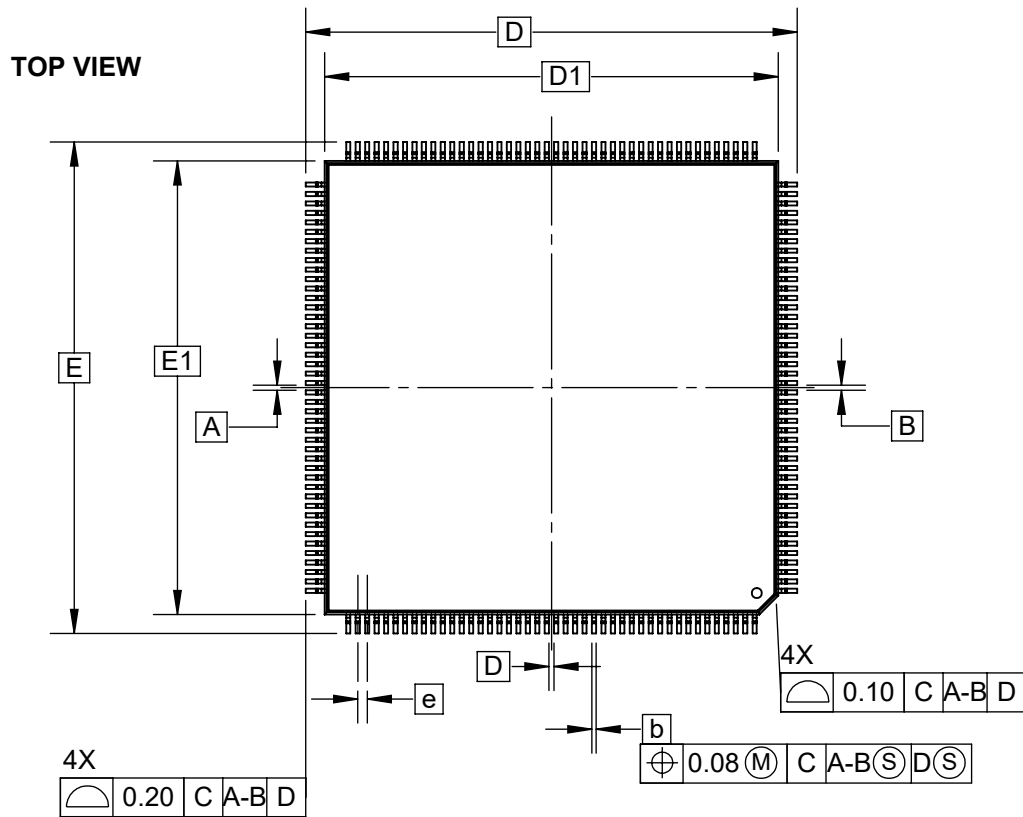
Tolerances: Hole diameters \pm 0.0254mm [\pm 0.001"], Pitches (from true position) \pm 0.0762mm [\pm 0.003"], substrate thickness tolerance \pm 10%, all other tolerances \pm 0.127mm [\pm 0.005"] unless stated otherwise. Materials and specifications are subject to change without notice.

Target PCB Design Recommendations:

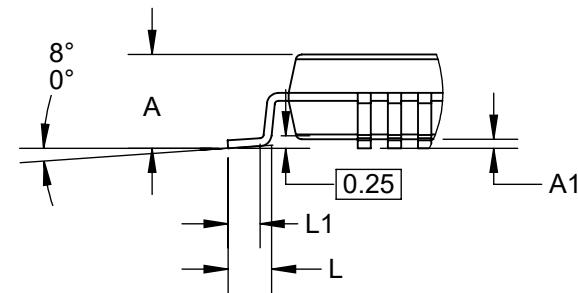
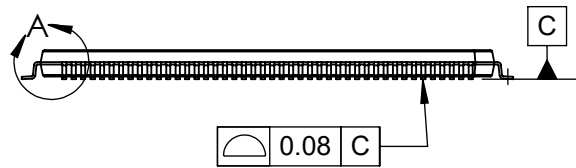
Total thickness: 1.6mm - 3mm

Plating: SnPb plating or Immersion Au or Immersion Ag.

 CBT-QFE-3012 Drawing Ironwood Electronics, Inc. Tele: (800) 404-0204 www.ironwoodelectronics.com	Material: N/A Finish: N/A Weight: 35.20	STATUS: Released	SHEET: 2 OF 5	REV. A
	ENG: E. Smolentseva	DRAWN BY: E. Smolentseva	SCALE: 2.5:1	DATE: 05/17/2017
		FILE: CBT-QFE-3012 Dwg		



	MIN	NOM	MAX
A			1.70
A1	0.05		0.15
b	0.17	0.22	0.27
c	0.09		0.20
D		26.00	
D1		24.00	
e		0.50	
E		26.00	
E1		24.00	
L	0.45	0.60	0.75
L1	0.30	0.50	0.70




DETAIL A
SCALE 8 : 1

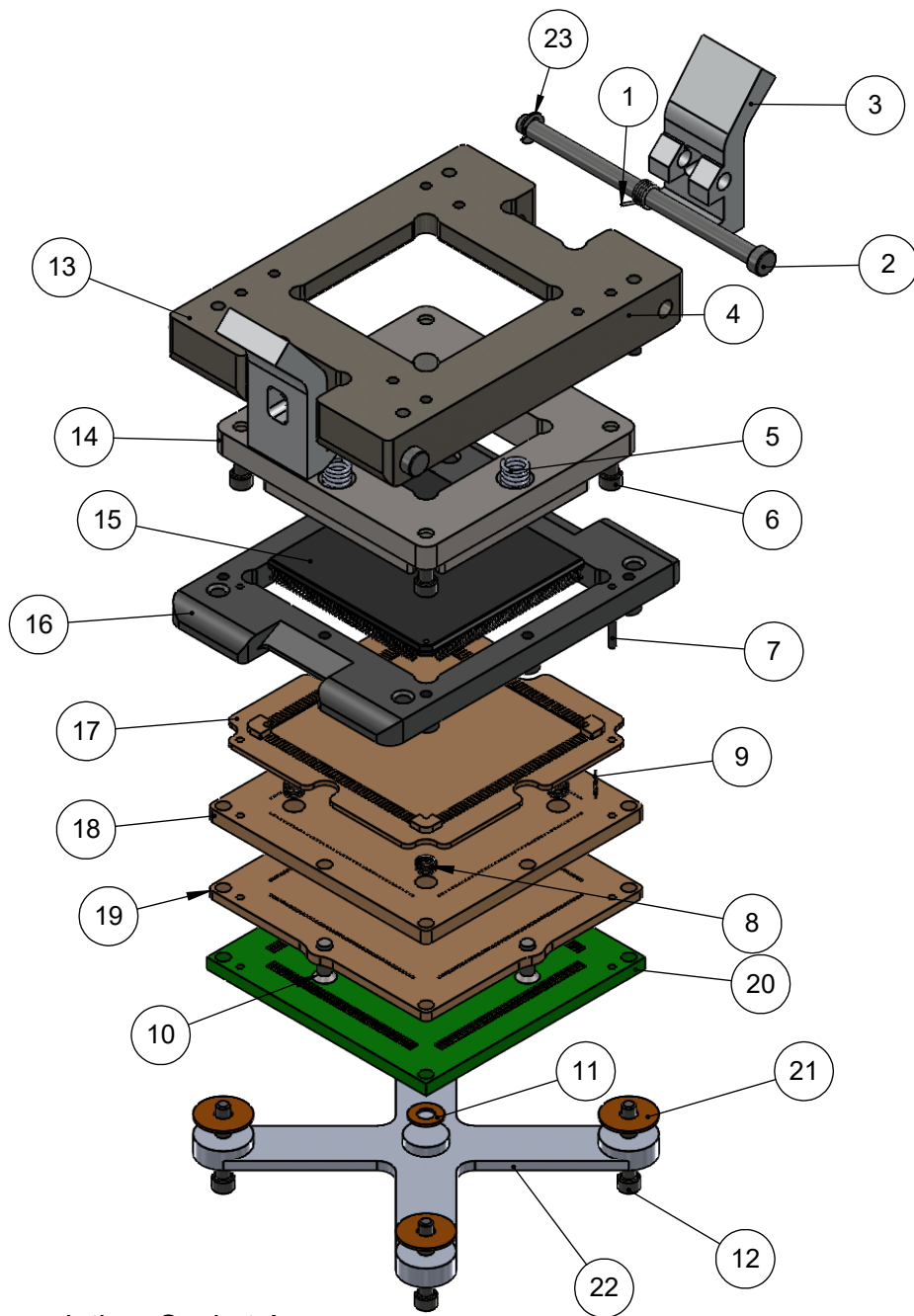
1. Dimensions are in millimeters.
2. Interpret dimensions and tolerances per ASME Y14.5M-1994.
5. Parallelism measurement shall exclude any effect of mark on top surface of package.

Description: Compatible Device

Primary dimension units are millimeters, Secondary dimension units are [inches], Weight is in grams.

Tolerances: Hole diameters $\pm 0.03\text{mm}$ [$\pm 0.001"$], Pitches (from true position) $\pm 0.025\text{mm}$ [$\pm 0.001"$], substrate thickness tolerance $\pm 10\%$, all other tolerances $\pm 0.13\text{mm}$ [$\pm 0.005"$] unless stated otherwise. Materials and specifications are subject to change without notice.

 CBT-QFE-3012 Drawing Ironwood Electronics, Inc. Tele: (800) 404-0204 www.ironwoodelectronics.com	Material: N/A Finish: N/A Weight: 35.20	STATUS: Released ENG: E. Smolentseva FILE: CBT-QFE-3012 Dwg	SHEET: 3 OF 5 DRAWN BY: E. Smolentseva DATE: 05/17/2017	REV. A SCALE: 2.5:1




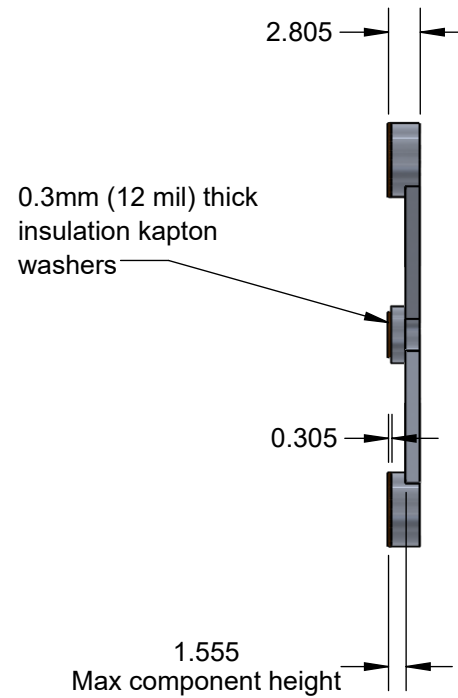
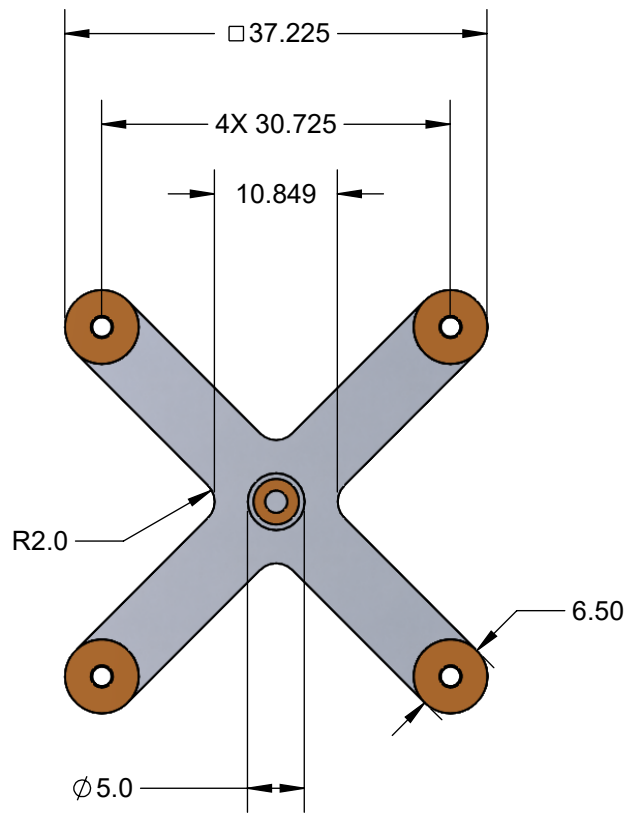
ITEM NO.	DESCRIPTION	Material
1	Coil spring	Steel
2	Hinge pin and snap ring	Steel
3	Latch	Aluminum
4	Lid alignment pins	Steel
5	Compression spring	Steel
6	Lid screws	Steel
7	Alignment pin	Steel
8	Floating guide spring	Steel
9	Spring pin	Au over Ni plated
10	Pin guide screw	High temp plastic
11	Insulating washer	High temp plastic
12	Mounting screw	Steel
13	Lid, double latch socket	7075-T6 Alumium Alloy
14	Compression plate	PEEK
15	QFE176 chip	
16	CBT socket base double latch	7075-T6 Alumium Alloy
17	Floating pin guide	Semitron MDS 100
18	Middle PIN guide	Semitron MDS 100
19	Bottom pin guide	Semitron MDS 100
20	Test PCB	Material <not specified>
21	Insulating washer, 6.5mm OD.	Kapton Polyimide/Cirlex
22	5 POST BACKING PLATE	7075-T6 Aluminum Alloy
23	Snap ring for 2mm Hinge pin 0.15" OD	

Description: Socket Assy

Primary dimension units are millimeters, Secondary dimension units are [inches], Weight is in grams.

Tolerances: Hole diameters $\pm 0.03\text{mm}$ [$\pm 0.001"$], Pitches (from true position) $\pm 0.025\text{mm}$ [$\pm 0.001"$], substrate thickness tolerance $\pm 10\%$, all other tolerances $\pm 0.13\text{mm}$ [$\pm 0.005"$] unless stated otherwise. Materials and specifications are subject to change without notice.


 CBT-QFE-3012 Drawing Ironwood Electronics, Inc. Tele: (800) 404-0204 www.ironwoodelectronics.com	Material: N/A Finish: N/A Weight: 35.20	STATUS: Released ENG: E. Smolentseva FILE: CBT-QFE-3012 Dwg	SHEET: 4 OF 5 DRAWN BY: E. Smolentseva DATE: 05/17/2017	REV. A SCALE: 1.25:1



Description: Backing plate

Primary dimension units are millimeters, Secondary dimension units are [inches], Weight is in grams.

Tolerances: Hole diameters $\pm 0.03\text{mm}$ [± 0.001 "], Pitches (from true position) $\pm 0.025\text{mm}$ [± 0.001 "], substrate thickness tolerance $\pm 10\%$, all other tolerances $\pm 0.13\text{mm}$ [± 0.005 " unless stated otherwise. Materials and specifications are subject to change without notice.

 CBT-QFE-3012 Drawing Ironwood Electronics, Inc. Tele: (800) 404-0204 www.ironwoodelectronics.com	Material: N/A Finish: N/A Weight: 35.20	STATUS: Released ENG: E. Smolentseva FILE: CBT-QFE-3012 Dwg	SHEET: 5 OF 5 DRAWN BY: E. Smolentseva DATE: 05/17/2017	REV. A SCALE: 2:1