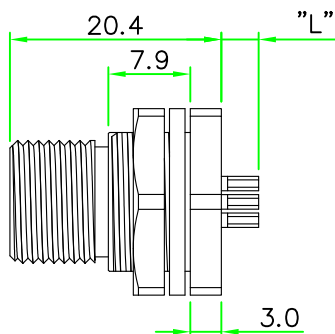


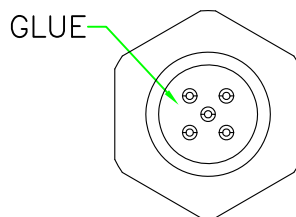
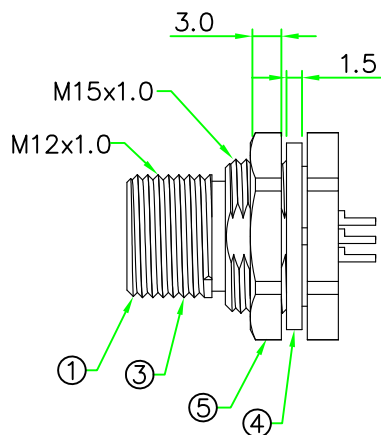
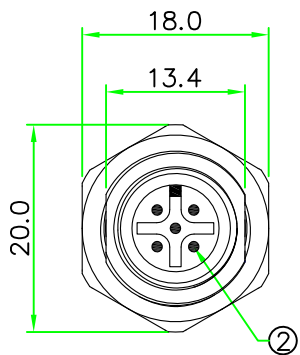
Recommended  
Panel Cut-Out

RoHS

IP66-68



PIN	L
A12D	3.7
A12N	
A12I	2.7



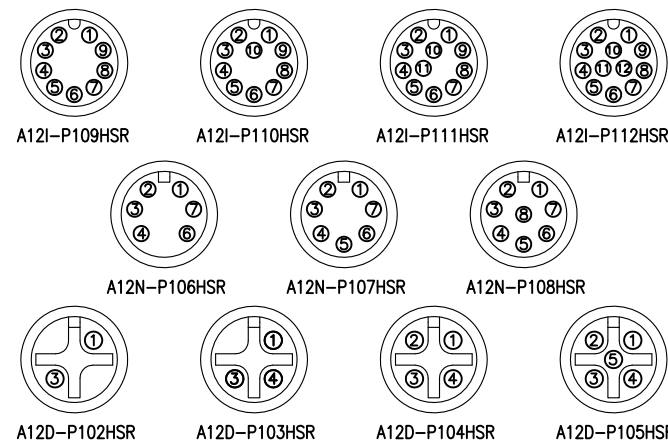
REV.	DESCRIPTION	DATE
A	ISSUE	Dec/15/2015

NOTES:

- ELECTRICAL CHARACTERISTICS:  
CURRENT RATING: 1.5A / 2A / 4A  
TEMPERATURE RANGE: -25°C TO +85°C  
DIELECTRIC WITHSTANDING VOLTAGE:  
500V AC FOR ONE MINUTE
- PANEL THICKNESS MAX. 3.0mm
- HOW TO ORDER: A12x-P1xxHSR

- 02 - 2 PIN
- 03 - 3 PIN
- 04 - 4 PIN
- 05 - 5 PIN
- 06 - 6 PIN
- 07 - 7 PIN
- 08 - 8 PIN
- 09 - 9 PIN
- 10 - 10PIN
- 11 - 11PIN
- 12 - 12PIN

- I - CURRENT RATING 1.5A
- N - CURRENT RATING 2A
- D - CURRENT RATING 4A



PIN ASSIGNMENT FRONT VIEW

(前視圖)

**HOLIN**® HTP ASIA TECHNOLOGY CO., LTD.  
禾凌科技股份有限公司

5	HEX NUT	NYLON+GF.		1	
4	GASKET	EPDM.	BLACK	1	
3	HOUSING	NYLON+GF.		1	
2	CONTACT	BRASS, 6 u" Gold Plated. Male Contact.		N	
1	CONNECTOR	M12 A-Coding Male Connector Insert. NYLON+GF.	BLACK	1	
No.	PART NAME	DESCRIPTION	COLOR	Q'TY	REMARKS

	UNIT: mm	TITLE	M12 A-Coding Male Panel Connector All Plastics Rear mount Hex Flange With Solder Bucket Pin	
SCALE	1.5:1	P/N:	A12x-P1xxHSR	DR. Patty
UNLESS OTHERWISE SPECIFIED TOLERANCES: x ±0.5 xx ±0.25 xxx ±0.1 ANGLE ± 1'		DWG.NO:	A12x-P1xxHSR	CH. ERIC
REV.	SHEET			AP.
A	1/1			