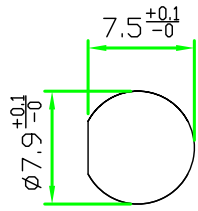


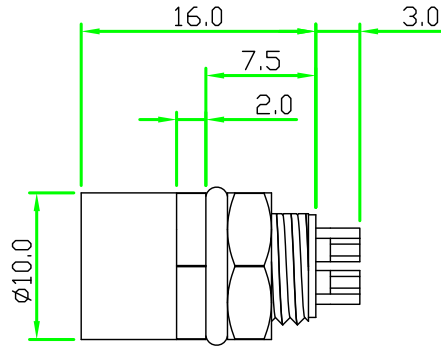
REV.	DESCRIPTION	DATE
A	ISSUE	Apr/22/2015



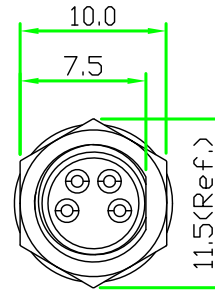
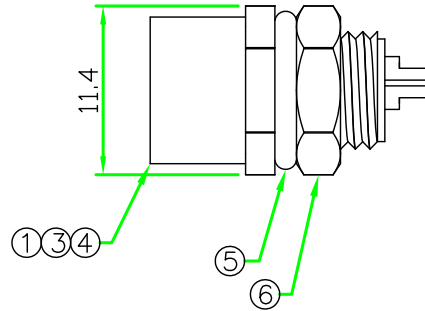
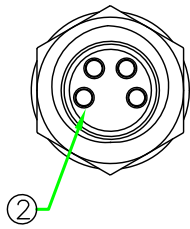
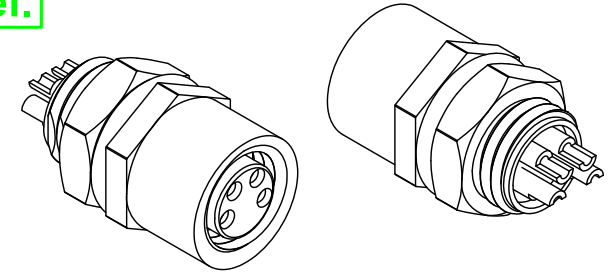
RECOMMENDED  
PANEL CUT OUT

RoHS

IP66~68



Ref.



NOTES:

1. ELECTRICAL CHARACTERISTICS:

CURRENT RATING: 1.5A / 3A

TEMPERATURE RANGE: -25°C TO +85°C

DIELECTRIC WITHSTANDING VOLTAGE:

500V AC FOR ONE MINUTE

2. HOW TO ORDER: A08x-M2xxHSF

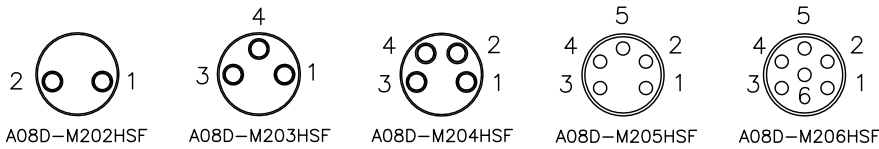
02 - 2 PINS 05 - 5 PINS

03 - 3 PINS 06 - 6 PINS

04 - 4 PINS

I - CURRENT RATING 1.5A

D - CURRENT RATING 3A



PIN ASSIGNMENT FRONT VIEW

(前視圖)

6	HEX NUT	Brass, Nickel Plated.		1	
5	O-RING	Silcon.	BLACK	1	
4	O-RING	VITON.	BLACK	1	
3	HOUSING	Brass, Nickel Plated.		1	
2	CONTACT	Brass , 6 u" Gold Plated .Female Contact.		N	
1	CONNECTOR	M8 A-Coding Female Connector Insert.NYLON+GF.	BLACK	1	
No.	PART NAME	DESCRIPTION	COLOR	Q'TY	REMARKS

**HOLIN**® HTP ASIA TECHNOLOGY CO., LTD.  
禾凌科技股份有限公司

	UNIT: mm	TITLE : M08 A-Coding Female Panel Connector Front mount Hex Flange With Solder Bucket Pin	
SCALE	2:1	P/N: A08x-M2xxHSF	DR. Patty
UNLESS OTHERWISE SPECIFIED TOLERANCES: .X ± 0.25 .XX ± 0.1 .XXX ± 0.05 ANGLE ± 1'			CH. ERIC
REV. A	SHEET 1/1	DWG.NO: A08x-M2xxHSF	AP.