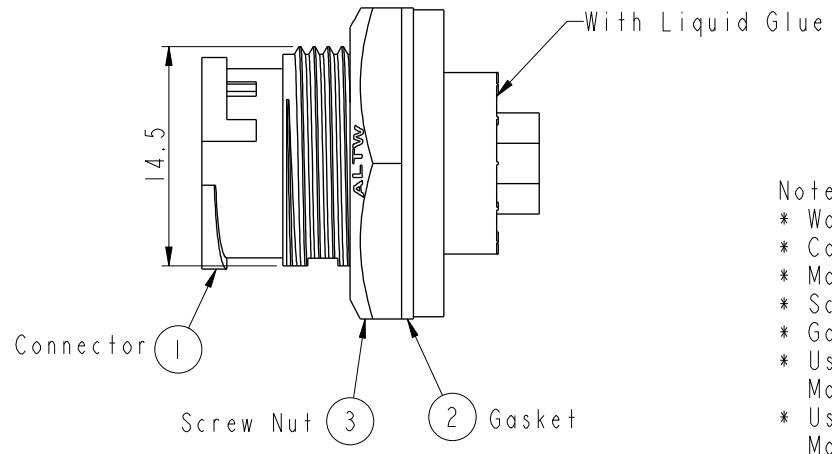
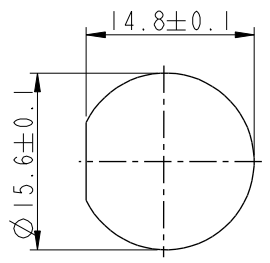
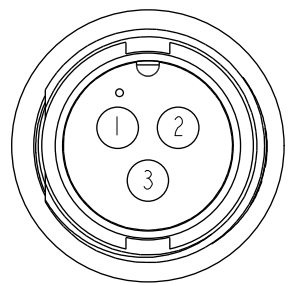
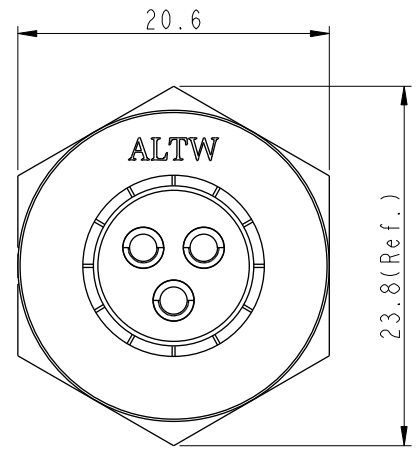
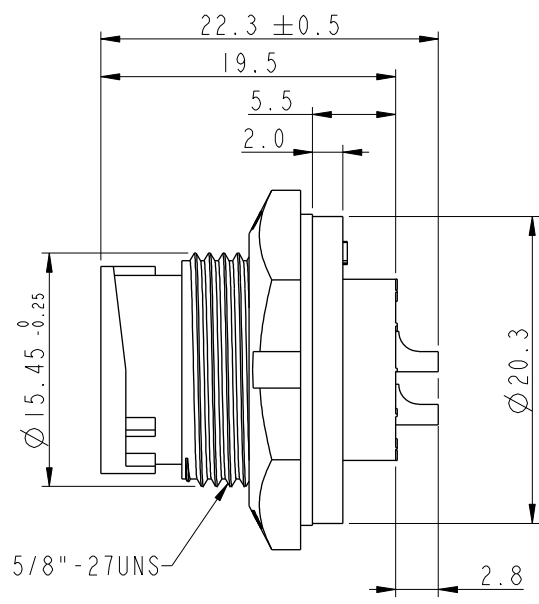
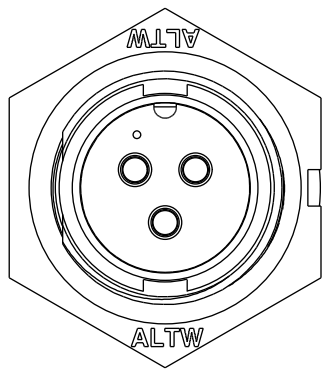


THIS DOCUMENT IS SUBJECT TO CHANGE WITHOUT NOTICE. IT IS CONFIDENTIAL AND A PROPERTY OF Amphenol LTW. DISCLOSURE TO THIRD PARTY HAS TO BE AUTHORIZED BY Amphenol LTW.

REV.	ECN NO.	DATE	SIGN	DESCRIPTION
A	Initial Release	2014/01/21	Ann	New Item

ALTW
 CONFIDENTIAL
 2014-01-21
 R&D DEPT.

ALTW
 DCC. DEPT.
 CONFIDENTIAL
 2014.02.10
 ISSUED



- Note:
- * Waterproof Rate: IP67
 - * Connector: Nylon+GF, Black
 - * Male Pin: Copper Alloy, Gold Plated.
 - * Screw Nut: Nylon+GF, Black
 - * Gasket: Silicone, Gray
 - * Use with waterproof cap or dust cap
Maximum Panel Thickness: 2.8mm
 - * Use without waterproof cap or dust cap
Maximum Panel Thickness: 4.0mm

UNIT: mm		
TOLERANCE		
.X	±0.25	
.XX	±0.1	
.XXX	±0.05	
ANGLES	±1°	

TITLE Standard CNC Pin Panel Lock 2Pin M Conn M Pin			
SCALE 2:1	SIZE A4	SHEET 1 OF 1	
REV. A	WC-REV. A.1	QC: Inspection item	

Amphenol LTW
 安費諾亮泰企業股份有限公司

ITEM NO. IBB-03PMMS-LC7001	DRAWN BY Ann-Lee	DATE 2014-01-21
DWG NO. IBB-03PMMS-LC7001	CHECKED BY Ruru	DATE 2014-01-21
CUSTOMER ALTW	APPROVED BY Victor	DATE 2014-01-21