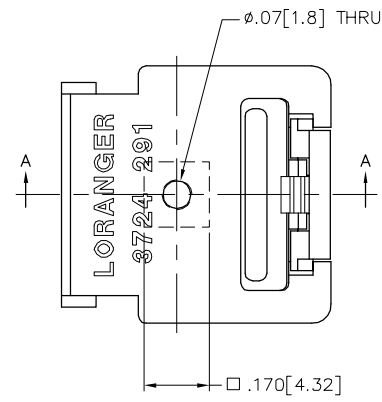
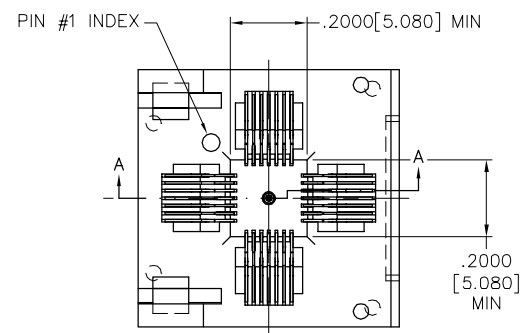


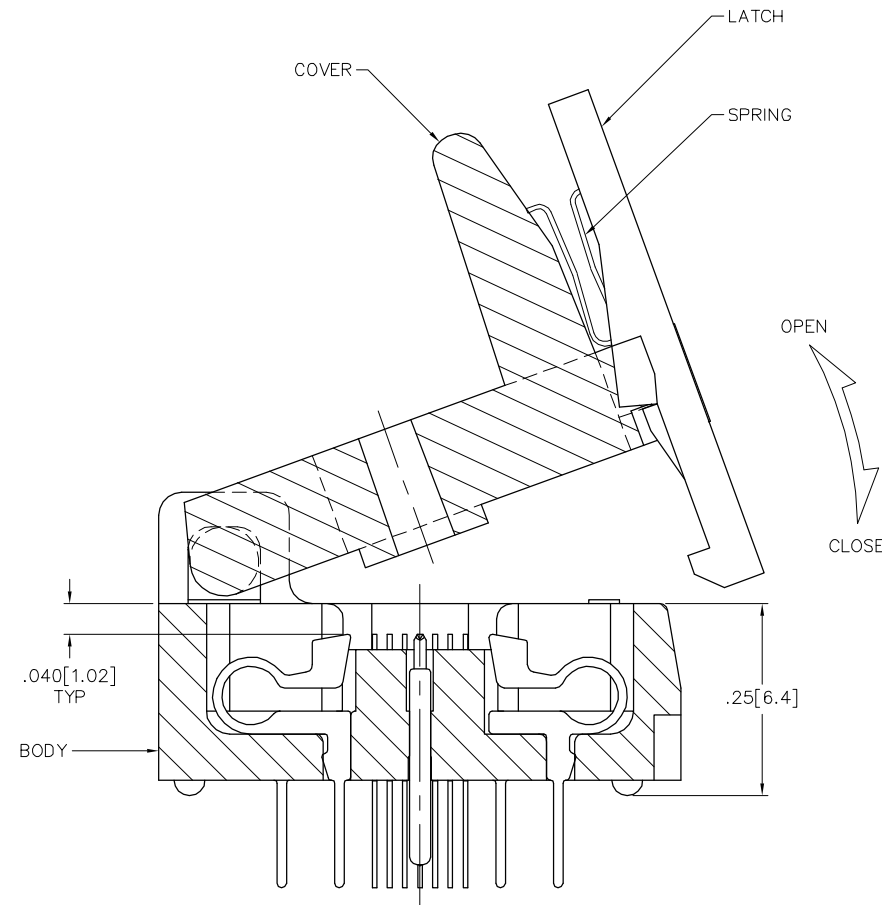
REVISION		
symbol	description	initial/date
*	UPDATED BODY PLASTIC, CASE CONTACT, AND DRAWING FORMAT	SBR/10-17-11



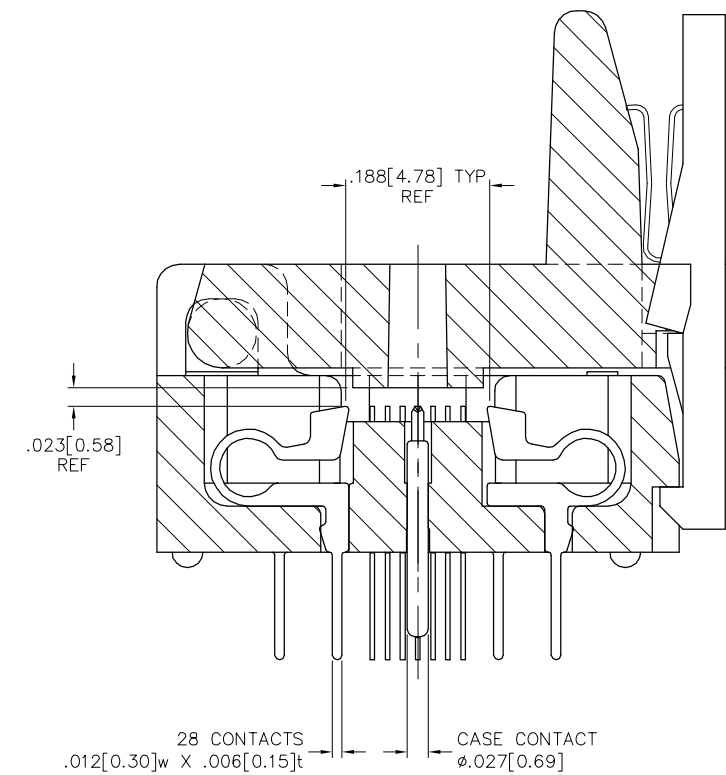
TOP VIEW COVER



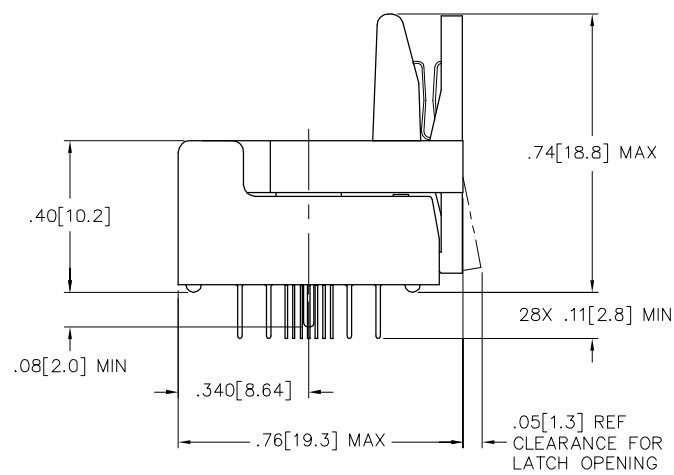
TOP VIEW WITH COVER REMOVED



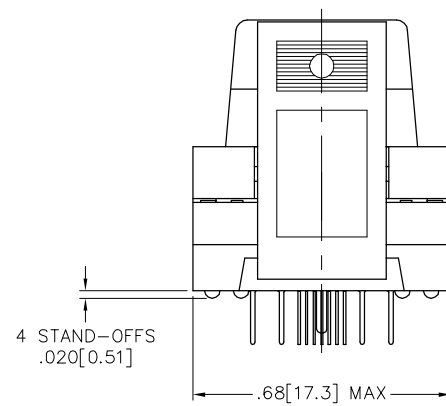
SECTION "A"-"A"
(SOCKET OPENING)
(SCALE: 4/1)



SECTION "A"-"A"
(SOCKET CLOSED)
(SCALE: 4/1)




FRONT VIEW



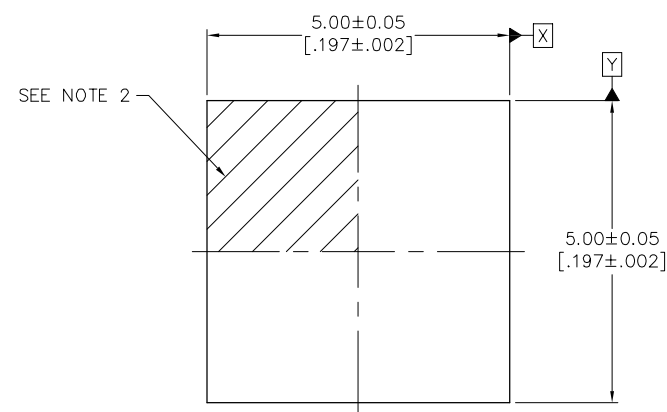
RIGHT SIDE VIEW

• CONTROLLING DIMENSIONS: INCH

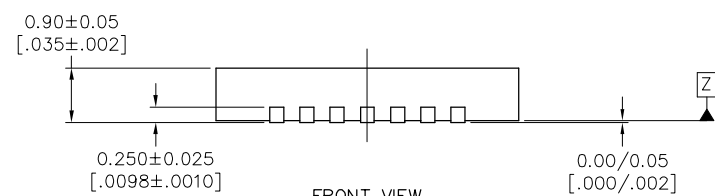
 Tolerance In Inches .xx ± .01 fract. .xxx ± .005 ang. ± 1/2° .xxxx ± .0020		NOTICE Drawing is subject to change without notice and is L.I.C. proprietary in design and content. L.I.C. retains all patent rights and exclusive rights of use, manufacture and/or sale. Possession of this drawing does not convey permission to reproduce or manufacture article. Permission shall only be granted in writing and must be signed by an officer of L.I.C.					
		Equipment where used 28 LEAD WITH CENTER PAD, 5.00 X 5.00mm, 0.5mm PITCH QFN	Part Description SOCKET	PROD. NO. 03724 291 X217 DWG. NO. 03724 291 X217	SCALE 2/1	Orig. Release DRAFTED by/date WTC/7-29-03	CHECKED by/date CHG/JOE/7-30-03

DIMENSIONALLY COMPATIBLE PACKAGE FOR SOCKET SHOWN ON PAGE 1

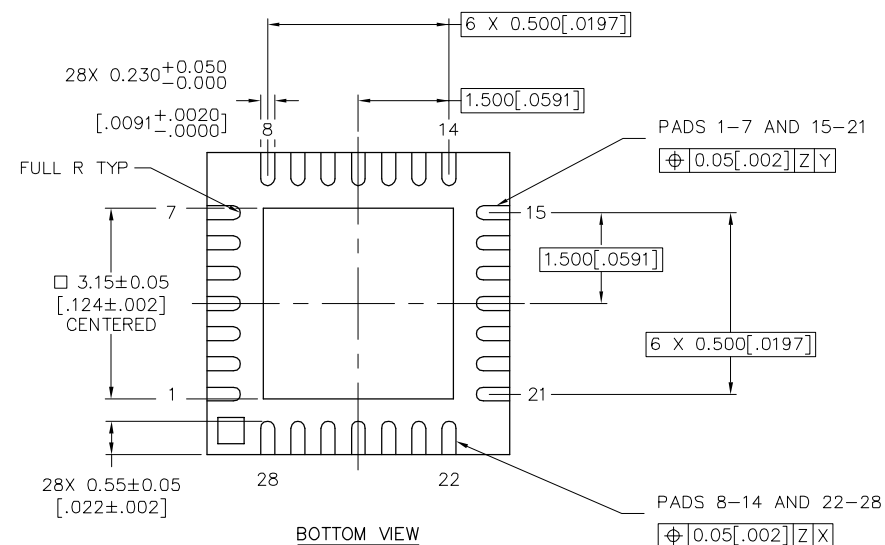
- CONTROLLING DIMENSIONS: mm
- SCALE: 8/1



TOP VIEW



FRONT VIEW



BOTTOM VIEW

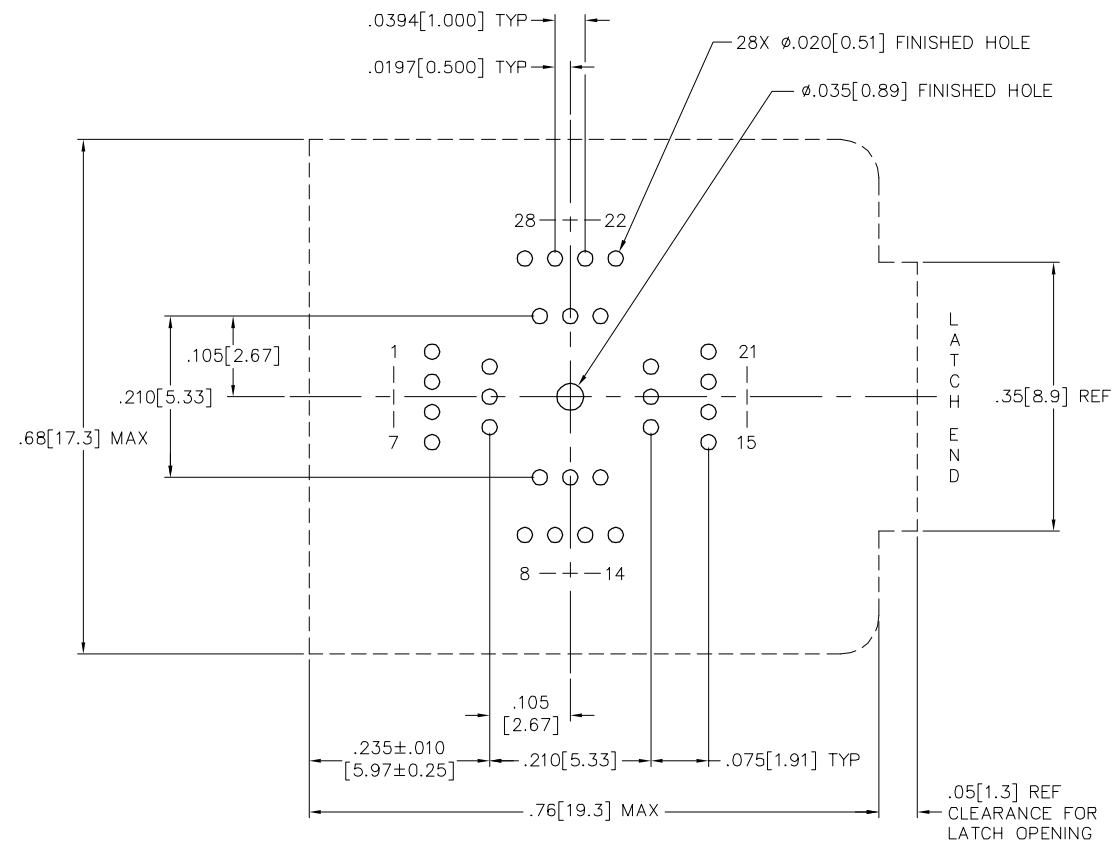
NOTES:

- INTERPRET DRAWING IN ACCORDANCE WITH ASME Y14.5M-1994
- A PIN 1 CORNER IDENTIFYING FEATURE IS RECOMMENDED TO BE APPLIED IN THE GENERAL AREA SHOWN. SIZE, STYLE AND LOCATION OPTIONAL, BUT THE FEATURE MUST NOT PROJECT ABOVE THE PACKAGE TOP.
- THIS DEVICE PACKAGE IS BASED, IN PART, ON INFORMATION CONTAINED IN CUSTOMER-SUPPLIED DRAWING(S), HOWEVER IT ADDITIONALLY CONTAINS FEATURE CONTROLS AND TOLERANCING REQUIRED FOR COMPATIBILITY WITH THE L.I.C. SOCKET DRAWN ON PAGE 1. THE CUSTOMER IS ADVISED TO REVIEW THIS DEVICE PACKAGE DRAWING THOROUGHLY BEFORE APPROVING TO ASSURE THAT MANUFACTURING REALITIES AGREE WITH THE DESIGN NEEDS.
- DEVICE REFERENCE FOR THIS PACKAGE IS AIM HIGH DWG # CYQNAL.

REVISION		
symbol	description	initial/date
*	UPDATED BODY PLASTIC, CASE CONTACT, AND	
	DRAWING FORMAT	SBR/10-17-11

RECOMMENDED P.T.H. PATTERN (VIEW FROM THE TOP)

- CONTROLLING DIMENSIONS: INCH
- SCALE: 4/1



NOTE: THE ABOVE SUGGESTED PTH PATTERN PIN-OUT NUMBERING IS FOR REFERENCE ONLY AND MUST BE VERIFIED BY THE CUSTOMER'S REVIEW OF THEIR DEVICE SCHEMATIC.



NOTICE
Drawing is subject to change without notice and is L.I.C. proprietary in design and content. L.I.C. retains all patent rights and exclusive rights of use, manufacture and/or sale. Possession of this drawing does not convey permission to reproduce or manufacture article. Permission shall only be granted in writing and must be signed by an officer of L.I.C.

Tolerance In Inches .xx±.01 fract. .xxx±.005 ang.±1/2° .xxxx±.0010		Equipment where used 28 LEAD WITH CENTER PAD, 5.00 X 5.00mm, 0.5mm PITCH QFN	PROD. NO.03724 291 X217
SCALE NOTED		Part Description SOCKET	DWG. NO.03724 291 X217
Orig. Release	DRAFTED by/date WTC/7-29-03	CHECKED by/date CHG/JOE/7-30-03	ISSUE DATE
			PAGE NO. 2 OF 2