

SX7KTM

32.768 KHZ SURFACE MOUNT TCXO

FEATURES

- Miniature package
- 32.768 kHz TCXO
- Low cost
- Applications: Real time clocks,...

7.0 x 5.0 x 2.3 mm



Item	Specification																																			
Frequency Range	32.768 kHz																																			
Output Logic	CMOS																																			
Supply Voltage Vdd (see options)	+3.3V ±5% +5.0V ±5%																																			
Supply Current Idd	8.0 mA max. 10.0 mA max.																																			
Frequency Tolerance	±2.0 ppm at 25°C ±2°C (one hour after reflow)																																			
Frequency Stability vs Temperature (see options)	<table border="1"> <thead> <tr> <th></th> <th>±0.5 ppm</th> <th>±1.0 ppm</th> <th>±1.5 ppm</th> <th>±2.0 ppm</th> <th>±2.5 ppm</th> <th>±3.0 ppm</th> </tr> </thead> <tbody> <tr> <td>-10° to +60°C</td> <td>◇</td> <td>o</td> <td>o</td> <td>o</td> <td>o</td> <td>o</td> </tr> <tr> <td>-20° to +70°C</td> <td>x</td> <td>o</td> <td>o</td> <td>o</td> <td>o</td> <td>o</td> </tr> <tr> <td>-30° to +85°C</td> <td>x</td> <td>o</td> <td>o</td> <td>o</td> <td>o</td> <td>o</td> </tr> <tr> <td>-40° to +85°C</td> <td>x</td> <td>o</td> <td>o</td> <td>o</td> <td>o</td> <td>o</td> </tr> </tbody> </table> <p>o = available ◇ = please contact us x = not available</p>		±0.5 ppm	±1.0 ppm	±1.5 ppm	±2.0 ppm	±2.5 ppm	±3.0 ppm	-10° to +60°C	◇	o	o	o	o	o	-20° to +70°C	x	o	o	o	o	o	-30° to +85°C	x	o	o	o	o	o	-40° to +85°C	x	o	o	o	o	o
	±0.5 ppm	±1.0 ppm	±1.5 ppm	±2.0 ppm	±2.5 ppm	±3.0 ppm																														
-10° to +60°C	◇	o	o	o	o	o																														
-20° to +70°C	x	o	o	o	o	o																														
-30° to +85°C	x	o	o	o	o	o																														
-40° to +85°C	x	o	o	o	o	o																														
Frequency Stability vs Aging	±1.0 ppm max. per year at 25°C																																			
Frequency Stability vs Voltage Change	±0.3 ppm max., for a ±5% input voltage change																																			
Frequency Stability vs Load Change	±0.3 ppm max., for a ±10% load condition change																																			
Output Level	VOH ≥ 0.9 Vdd VOL < 0.1 Vdd																																			
Output Load	15 pF																																			
Symmetry	45 / 55 %																																			
Rise Time / Fall Time Fr/Ff	3 ns typ.																																			
Start-up Time	5 ms typ., 10 ms max.																																			
Packing Unit	1000pcs / reel																																			
Soldering Condition	260°C, 10 sec x2 max																																			

Customer specifications on request

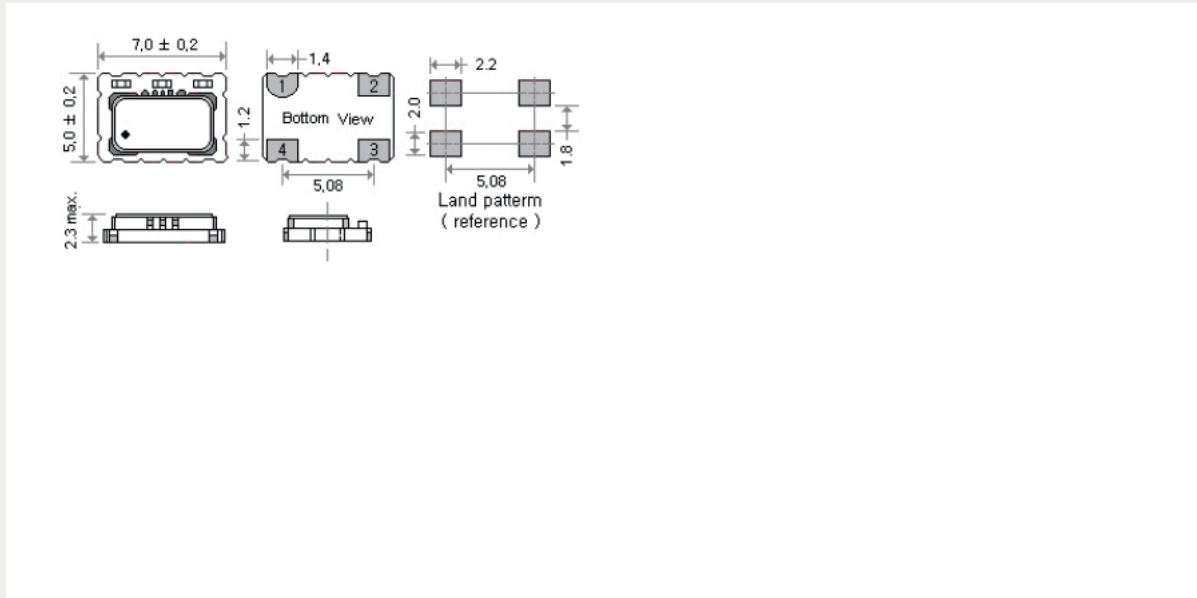
OPTIONS & ORDERING INFORMATION

SX7KTM

Supply Voltage	Operating Temp. *	Temperature Stability *	Tri-state Function	Package type	32.768 kHz Frequency in kHz
33 = +3.3V 50 = +5.0V	D = -10° / +60°C F = -20° / +70°C H = -30° / +85°C K = -40° / +85°C	0.5 = ±0.5 ppm 1.0 = ±1.0 ppm 1.5 = ±1.5 ppm 2.0 = ±2.0 ppm 2.5 = ±2.5 ppm 3.0 = ±3.0 ppm	F = No Tri-state	4P = 4-pad version	

(*) Note : Not all combinations are possible, please consult us.

OUTLINE DIMENSIONS



Pin Connections

#1 : NC

#2 : GND

#3: Output

#4 : Vdd