

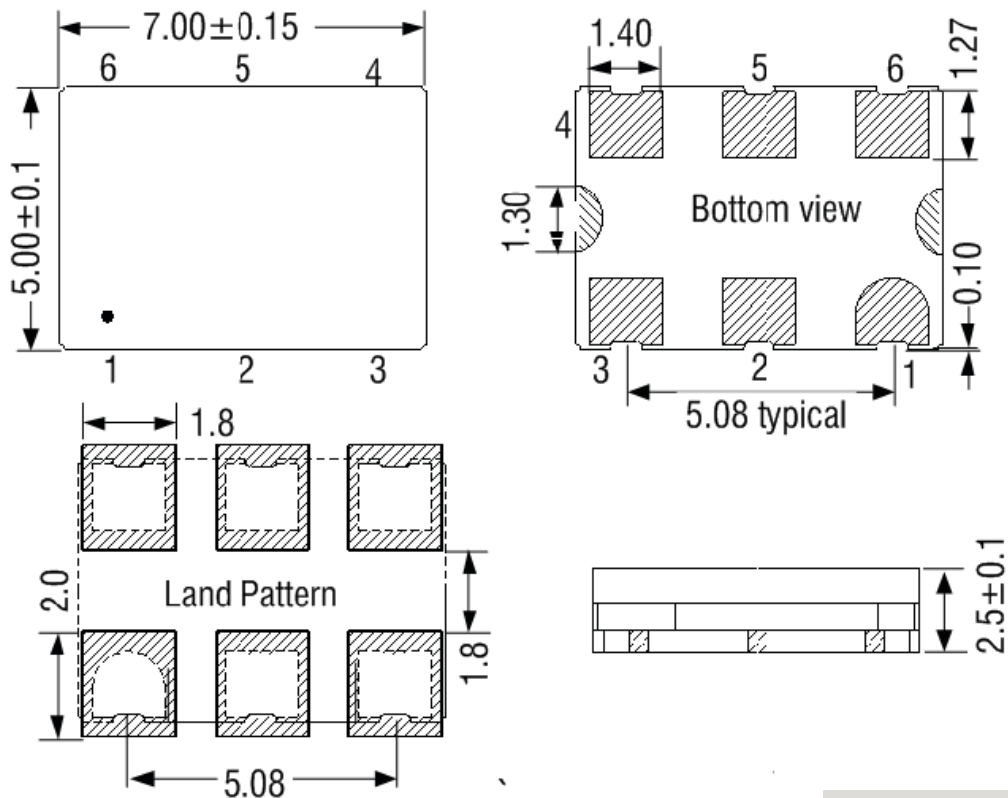
OPTIONS & ORDERING INFORMATION

SX7EVTQ							MHz
	Supply Voltage *	Operating Temp. *	Temperature Stability *	Tri-state Function	Package type	Pulling **	Frequency in MHz
	25 = +2.5V 33 = +3.3V	F = -20° / +70°C G = -30° / +75°C H = -30° / +85°C K = -40° / +85°C	0.5 = ±0.5 ppm 1.0 = ±1.0 ppm 1.5 = ±1.5 ppm 2.0 = ±2.0 ppm 2.5 = ±2.5 ppm	E2 = Tri-state , pin 2	6P = 6-pad version	08 = ±8 ppm min.	Please specify the frequency in MHz

* Note : Not all combinations are possible , please consult us.

** Other pulling range is available on customer specification

OUTLINE DIMENSIONS (MM)



Pin Connections

- #1 : Control Voltage
- #2 : E/D
- #3: GND
- #4 : Output
- #5 : Complementary Output
- #6 : Vdd