

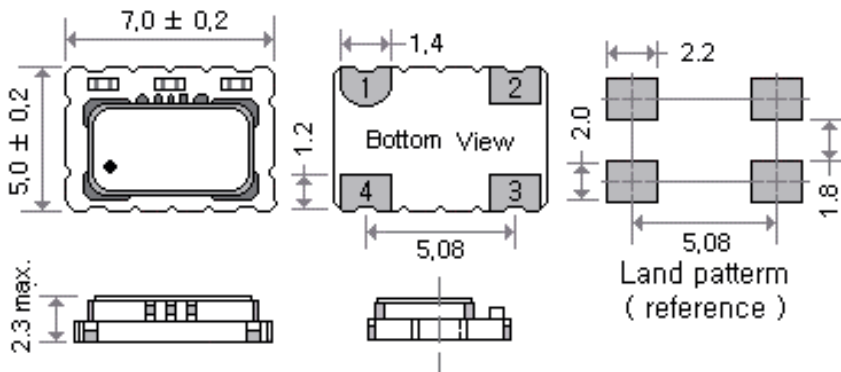
OPTIONS & ORDERING INFORMATION

SX7CVT							MHz
Supply Voltage *	Operating Temp. *	Temperature Stability *	Tri-state Function	Package type	Pulling **	Frequency in MHz	
18 = +1.8V 25 = +2.5V 28 = +2.8V 30 = +3.0V 33 = +3.3V 50 = +5.0V	C = 0° / +50°C D = -10° / +60°C F = -20° / +70°C G = -30° / +75°C H = -30° / +85°C K = -40° / +85°C	0.5 = ±0.5 ppm 1.0 = ±1.0 ppm 1.5 = ±1.5 ppm 2.0 = ±2.0 ppm 2.5 = ±2.5 ppm 3.0 = ±3.0 ppm	F = No Tri-state	4P = 4-pad version	05 = ±5 ppm min.	Please specify the frequency in MHz	

* Note : Not all combinations are possible , please consult us.

** Other pulling range is available on customer specification

OUTLINE DIMENSIONS (MM)



Pin Connections

#1 : Control Voltage

#2 : GND

#3: Output

#4 :Vdd