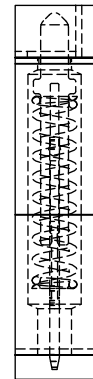
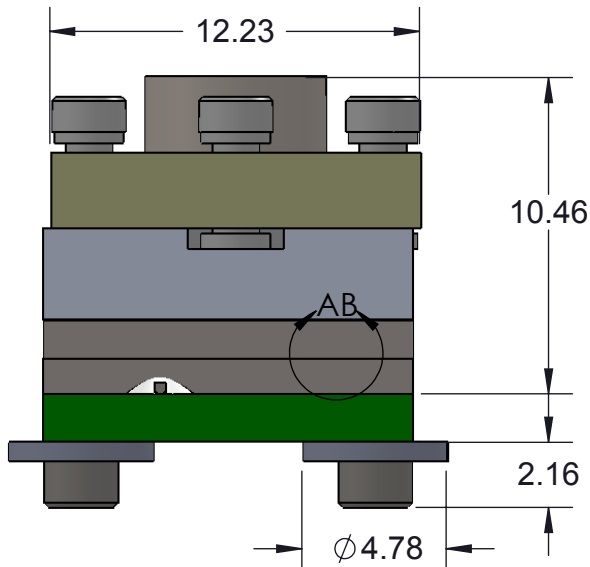
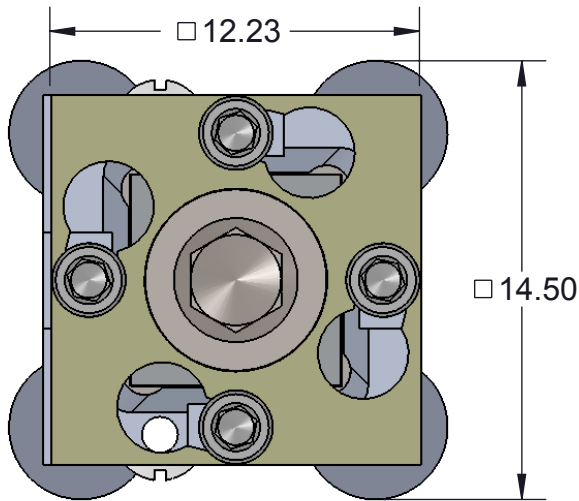


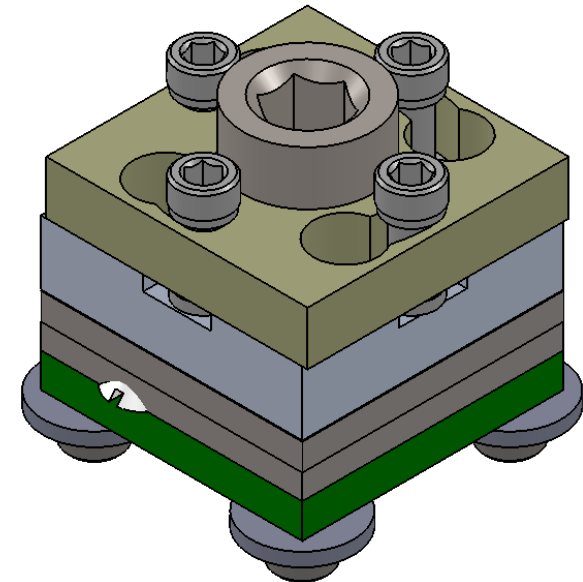
# SBT-QFN DIRECT MOUNT, SOLDERLESS SOCKET FOR BURN-IN AND TEST APPLICATIONS

## FEATURES:

- Wide temperature range (-55C to +180C)
- High current capability (up to 4A)
- Excellent signal integrity at high frequencies
- Low and stable contact resistance for reliable production yield
- Highly compliant to accommodate wide co-planarity variations
- Automated probe manufacturing enables low cost and short lead time



DETAIL AB  
SCALE 16 : 1



**Description:** QFN48 pogo pin socket 7x7mm 0.5mm pitch

Primary dimension units are millimeters, Secondary dimension units are [inches], Weight is in grams.

Tolerances: Hole diameters  $\pm 0.03\text{mm}$  [ $\pm 0.001$ "]. Pitches (from true position)  $\pm 0.025\text{mm}$  [ $\pm 0.001$ "], substrate thickness tolerance  $\pm 10\%$ , all other tolerances  $\pm 0.13\text{mm}$  [ $\pm 0.005$ "] unless stated otherwise. Materials and specifications are subject to change without notice.

### SBT-QFN-4022 Drawing

Ironwood Electronics, Inc.  
Tele: (800) 404-0204  
www.ironwoodelectronics.com

Material: N/A  
Finish: N/A  
Weight: 4.23

STATUS: Released

ENG: S. Huang

FILE: SBT-QFN-4022

SHEET: 1 OF 4

DRAWN BY: S. Huang

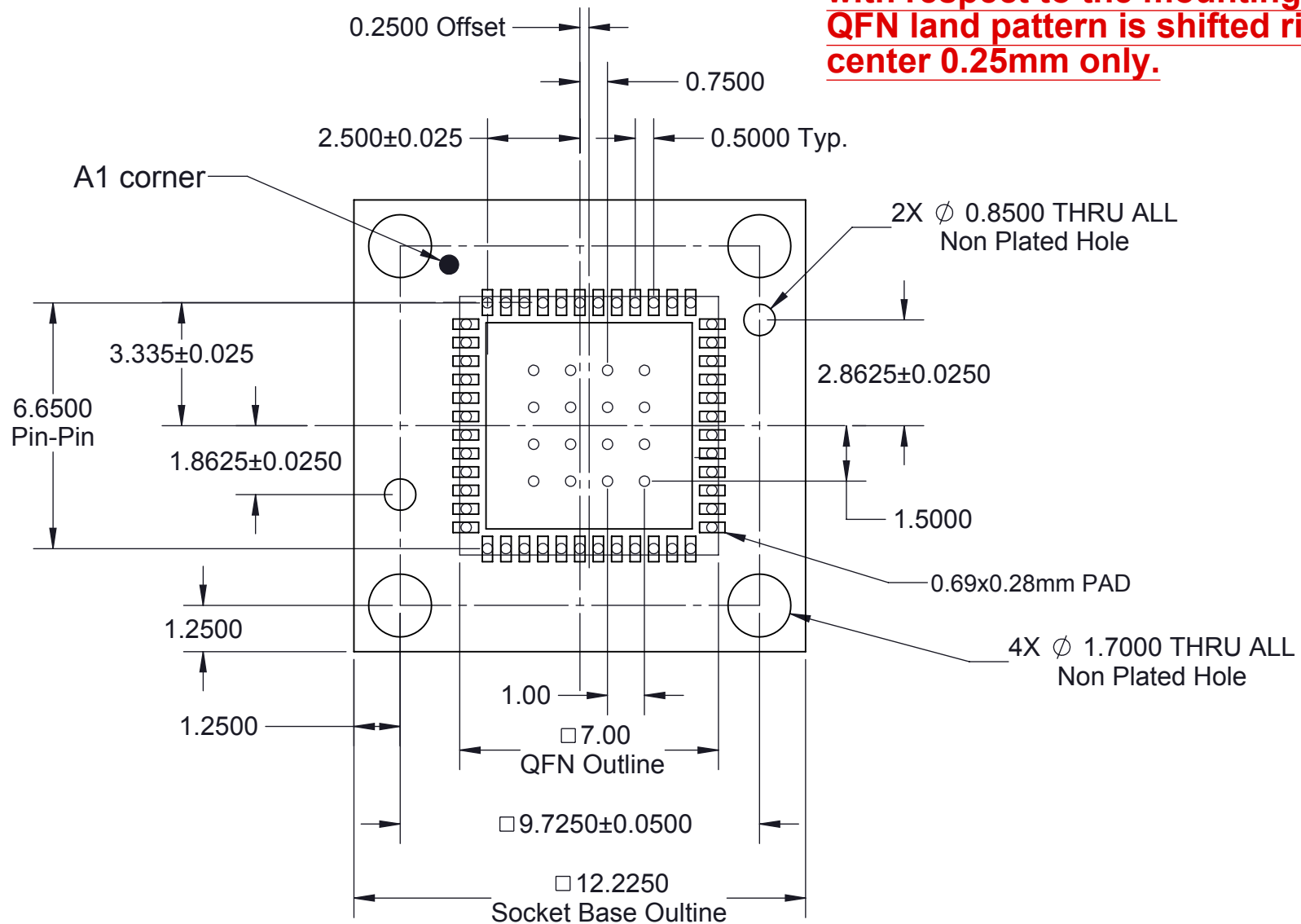
DATE: 9/6/2013

REV. A

SCALE: 4:1




**\*Note: QFN pattern is not symmetrical with respect to the mounting holes. QFN land pattern is shifted right of center 0.25mm only.**



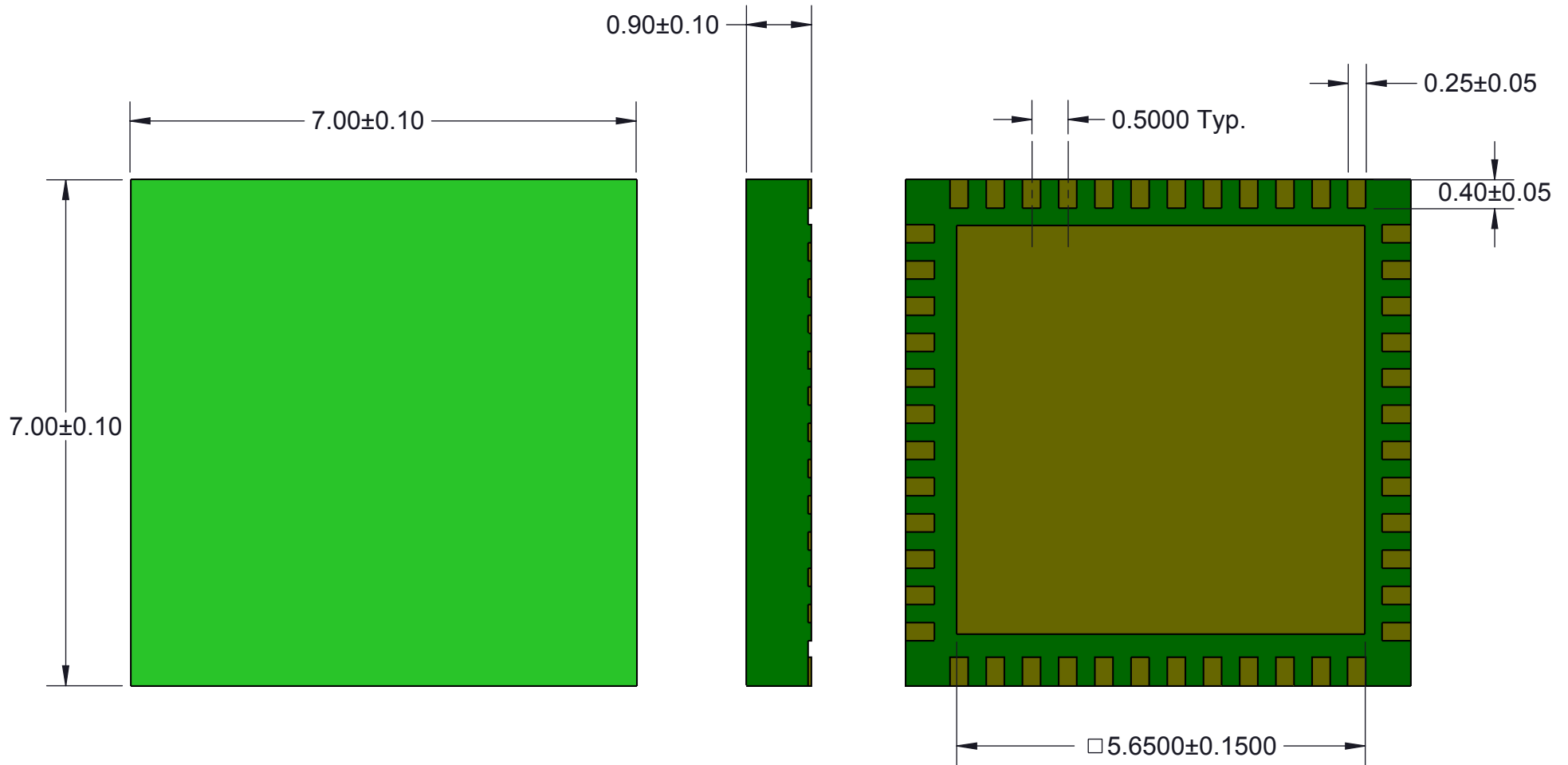
### Description: Recommended Layout

Primary dimension units are millimeters, Secondary dimension units are [inches], Weight is in grams.  
 Tolerances: Hole diameters ±0.03mm [±0.001"], Pitches (from true position) ±0.025mm [±0.001"], substrate thickness tolerance ±10%, all other tolerances ±0.13mm [±0.005"] unless stated otherwise. Materials and specifications are subject to change without notice.

**Target PCB Recommendations**  
 Total thickness: 1.6mm min.  
 Plating: Gold or Solder finish  
 PCB Pad height: Same or higher than solder mask

 <b>SBT-QFN-4022 Drawing</b> Ironwood Electronics, Inc. Tele: (800) 404-0204 www.ironwoodelectronics.com	Material: N/A Finish: N/A Weight: 4.23	STATUS: Released ENG: S. Huang FILE: SBT-QFN-4022	SHEET: 2 OF 4 DRAWN BY: S. Huang DATE: 9/6/2013	REV. A SCALE: 6:1


# Ironwood Package Code: QFN48A

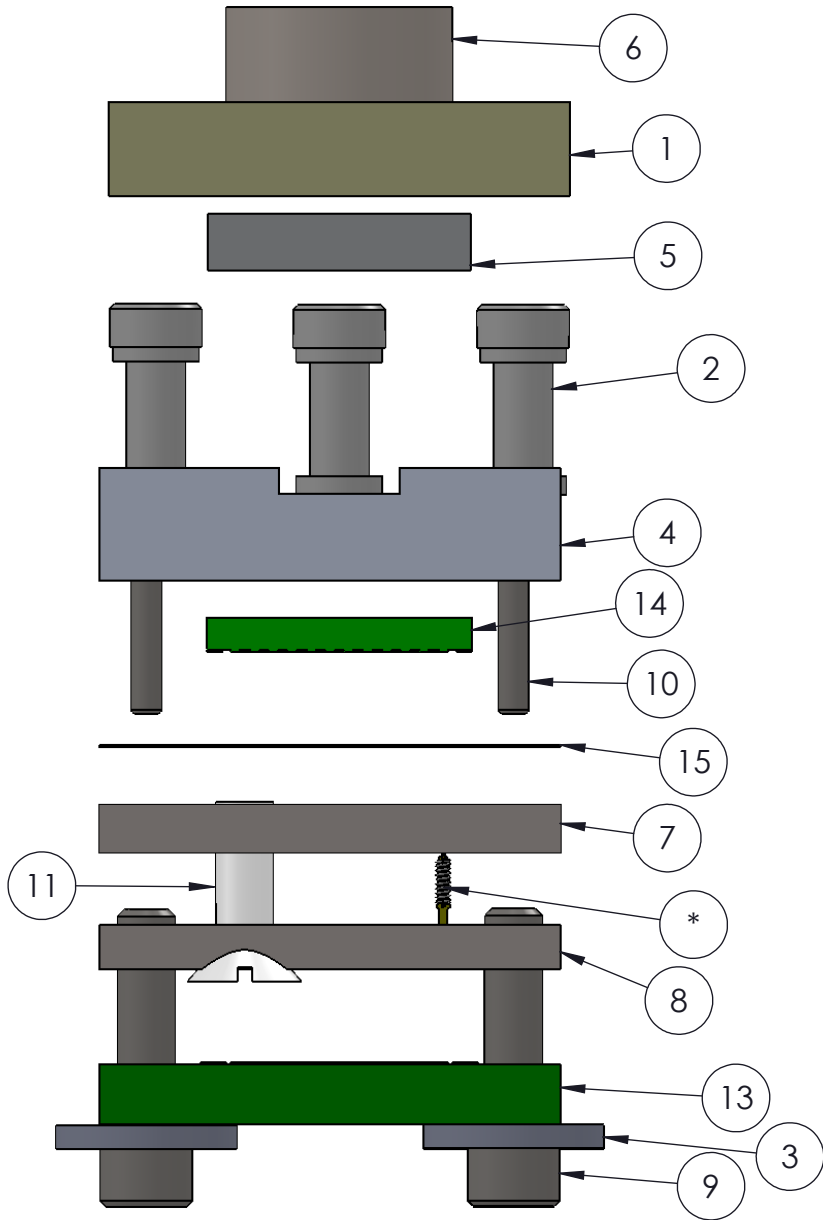


## Description: QFN Spec

Primary dimension units are millimeters, Secondary dimension units are [inches], Weight is in grams.

Tolerances: Hole diameters  $\pm 0.03$ mm [ $\pm 0.001$ "], Pitches (from true position)  $\pm 0.025$ mm [ $\pm 0.001$ "], substrate thickness tolerance  $\pm 10\%$ , all other tolerances  $\pm 0.13$ mm [ $\pm 0.005$ "] unless stated otherwise. Materials and specifications are subject to change without notice.

 <b>SBT-QFN-4022 Drawing</b> Ironwood Electronics, Inc. Tele: (800) 404-0204 www.ironwoodelectronics.com	Material: N/A Finish: N/A Weight: 4.23	STATUS: Released	SHEET: 3 OF 4	REV. A
		ENG: S. Huang	DRAWN BY: S. Huang	SCALE: 12:1
		FILE: SBT-QFN-4022	DATE: 9/6/2013	




ITEM NO.	DESCRIPTION	Material
1	Socket Lid 7mm Swl Ni plt	7075-T6, Plate (SS)
2	#0-80 Shoulder Screw, 0.062" thread length	Stainless Steel (303)
3	Washer, #0 x .025", Nylon	Nylon 6/6
4	Socket Base 7mm	7075-T6 Aluminum Alloy
5	Comp Plate 7mm 1.5mm thk	7075-T6 (SN)
6	Compression Screw M6x1	Stainless Steel (18-8)
7	QFN48 SBT Top Guide custom	PEEK Ceramic filled
8	QFN48 SBT Bottom Guide	PEEK Ceramic filled
9	#0-80 X .25 LG, SOC HD CAP SCREW, ALLOY STL, BLK OXIDE	Alloy Steel
10	Dowel pin, 1/32" X 1/4", SS	Stainless Steel (18-8)
11	#0-80 X .188" LG FL HD, Slotted, Polypropylene	PP Homopolymer
12	SBT-LGA/QFN Pogo Pin, 0.5mm-0.8mm	Contact Mtrl: BeCu, Au Plated over Ni
13	Test PCB	FR4
14	QFN48A chip	FR4
15	SBT Pin Orientation Guide for 7x7mm 0.5mm pitch QFN48	Kapton Polyimide

## Description: Exploded View

Primary dimension units are millimeters, Secondary dimension units are [inches], Weight is in grams.

Tolerances: Hole diameters  $\pm 0.03\text{mm}$  [ $\pm 0.001"$ ], Pitches (from true position)  $\pm 0.025\text{mm}$  [ $\pm 0.001"$ ], substrate thickness tolerance  $\pm 10\%$ , all other tolerances  $\pm 0.13\text{mm}$  [ $\pm 0.005"$ ] unless stated otherwise. Materials and specifications are subject to change without notice.

 <b>SBT-QFN-4022 Drawing</b> Ironwood Electronics, Inc. Tele: (800) 404-0204 www.ironwoodelectronics.com	Material: N/A	STATUS: Released	SHEET: 4 OF 4	REV. A
	Finish: N/A	ENG: S. Huang	DRAWN BY: S. Huang	SCALE: 5:1
	Weight: 4.23	FILE: SBT-QFN-4022	DATE: 9/6/2013	