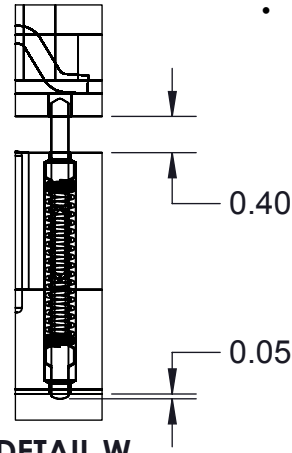
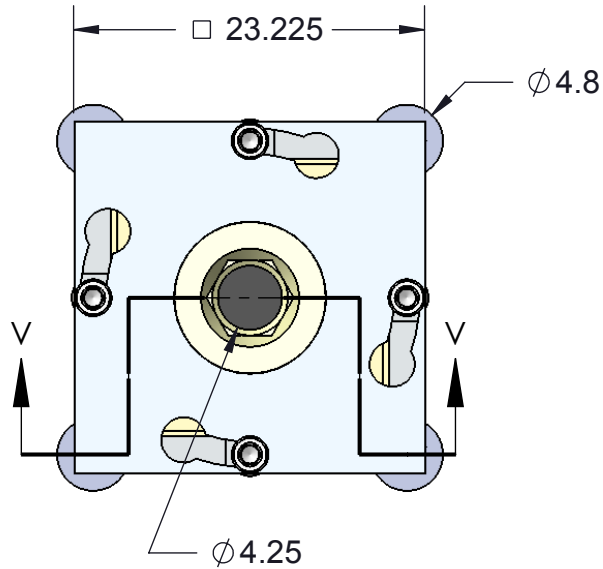


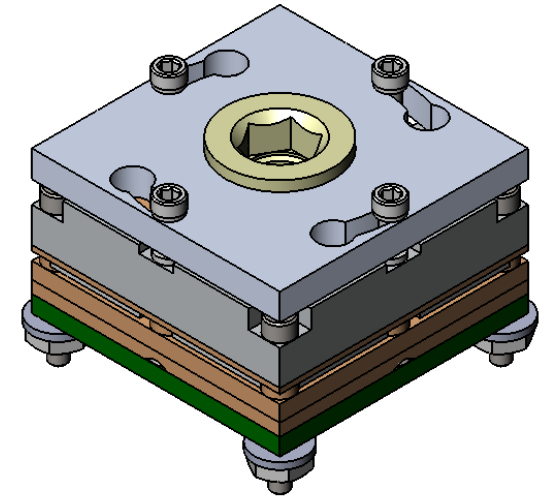
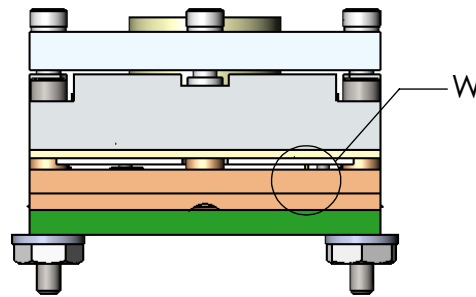
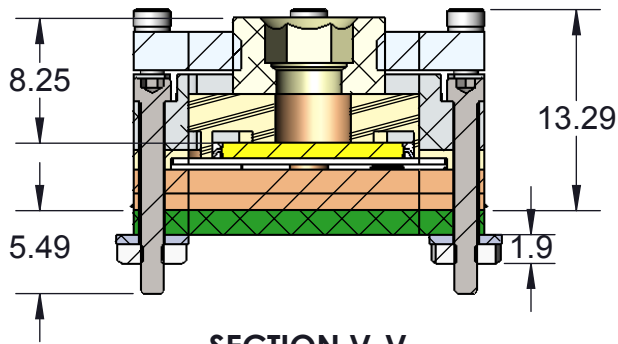
SBT-QFP DIRECT MOUNT, SOLDERLESS SOCKET FOR BURN-IN AND TEST APPLICATIONS

Features

- Wide temperature range (-55C to +180C)
- High current capability (up to 4A)
- Excellent signal integrity at high frequencies
- Low and stable contact resistance for reliable production yield
- Highly compliant to accommodate wide co-planarity variations
- Automated probe manufacturing enables low cost and short lead time



DETAIL W
SCALE 12 : 1



Description: Assembly

Primary dimension units are millimeters, Secondary dimension units are [inches], Weight is in grams.

Tolerances: Hole diameters $\pm 0.03\text{mm}$ [± 0.001 "], Pitches (from true position) $\pm 0.025\text{mm}$ [± 0.001 "], substrate thickness tolerance $\pm 10\%$, all other tolerances $\pm 0.13\text{mm}$ [± 0.005 "] unless stated otherwise. Materials and specifications are subject to change without notice.

SBT-QFE-3000 Drawing

Ironwood Electronics, Inc.
Tele: (800) 404-0204
www.ironwoodelectronics.com

Material:
Finish:
Weight:

STATUS: Released

ENG: V. Panavala

FILE: SBT-QFE-3000

SHEET: 1 OF 4

DRAWN BY: D. Hauer

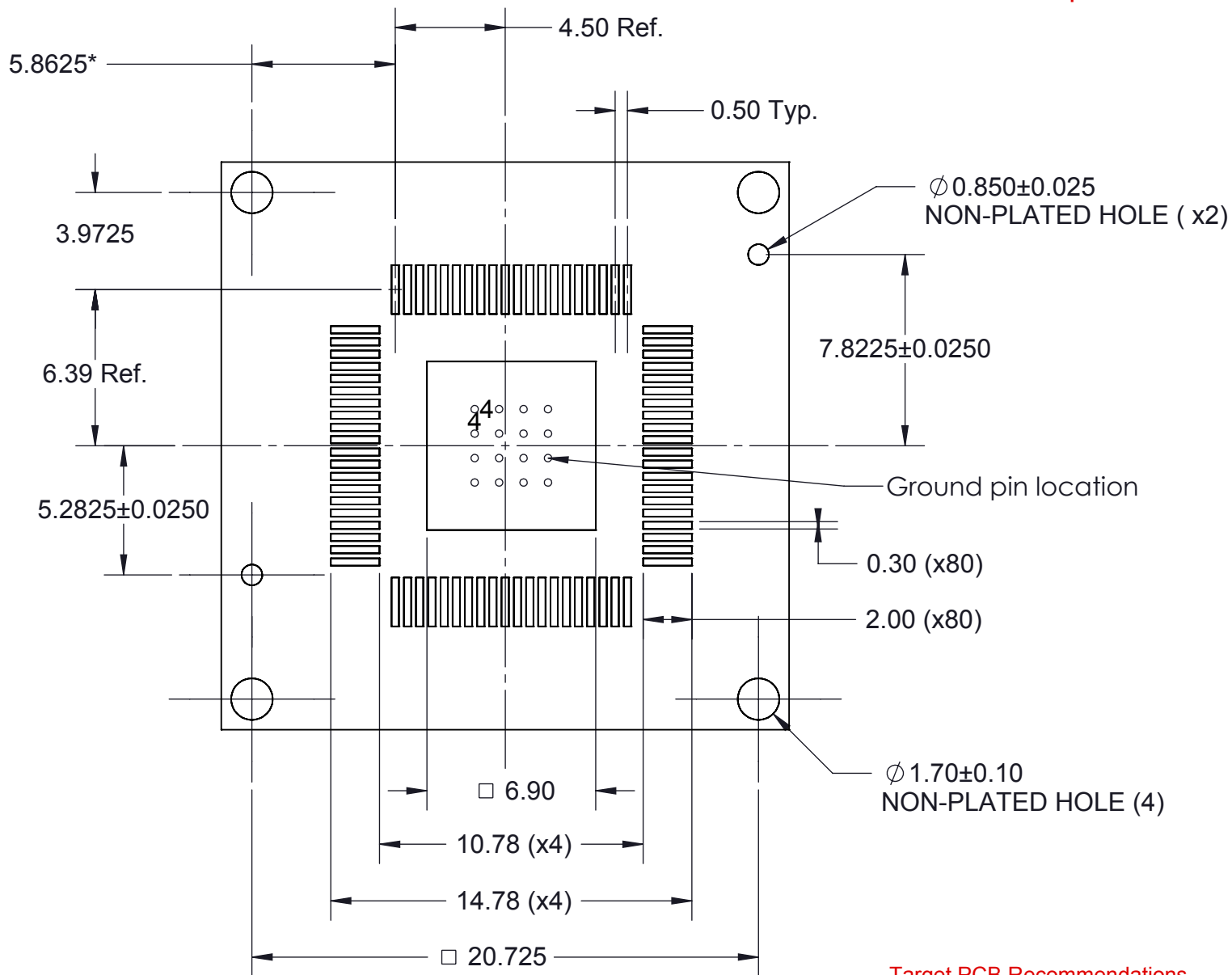
DATE: 2/25/13

REV. A

SCALE: 2:1




***Note: QFP pattern is not symmetrical with respect to the mounting holes.**

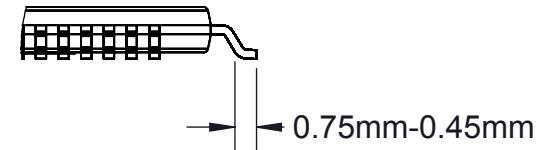
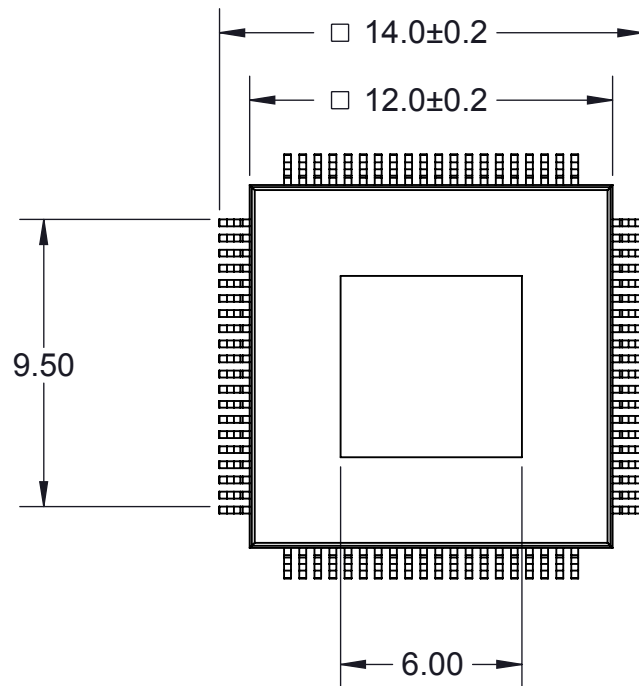
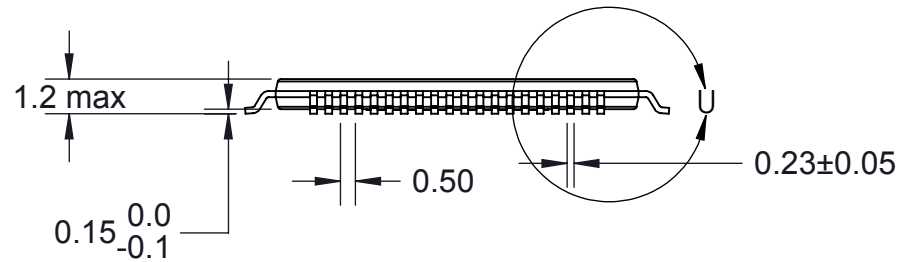


Target PCB Recommendations
 Total thickness: 1.6mm min.
 Plating: Gold or Solder finish
 PCB Pad height: Same or higher than solder mask

Description: Recommended PCB Layout

Primary dimension units are millimeters, Secondary dimension units are [inches], Weight is in grams.
 Tolerances: Hole diameters $\pm 0.03\text{mm}$ [$\pm 0.001"$], Pitches (from true position) $\pm 0.025\text{mm}$ [$\pm 0.001"$], substrate thickness tolerance $\pm 10\%$, all other tolerances $\pm 0.13\text{mm}$ [$\pm 0.005"$] unless stated otherwise. Materials and specifications are subject to change without notice.

 SBT-QFE-3000 Drawing Ironwood Electronics, Inc. Tele: (800) 404-0204 www.ironwoodelectronics.com	Material: Finish: Weight:	STATUS: Released	SHEET: 2 OF 4	REV. A
		ENG: V. Panavala	DRAWN BY: D. Hauer	SCALE: 4:1
		FILE: SBT-QFE-3000	DATE: 2/25/13	




DETAIL U
SCALE 6 : 1

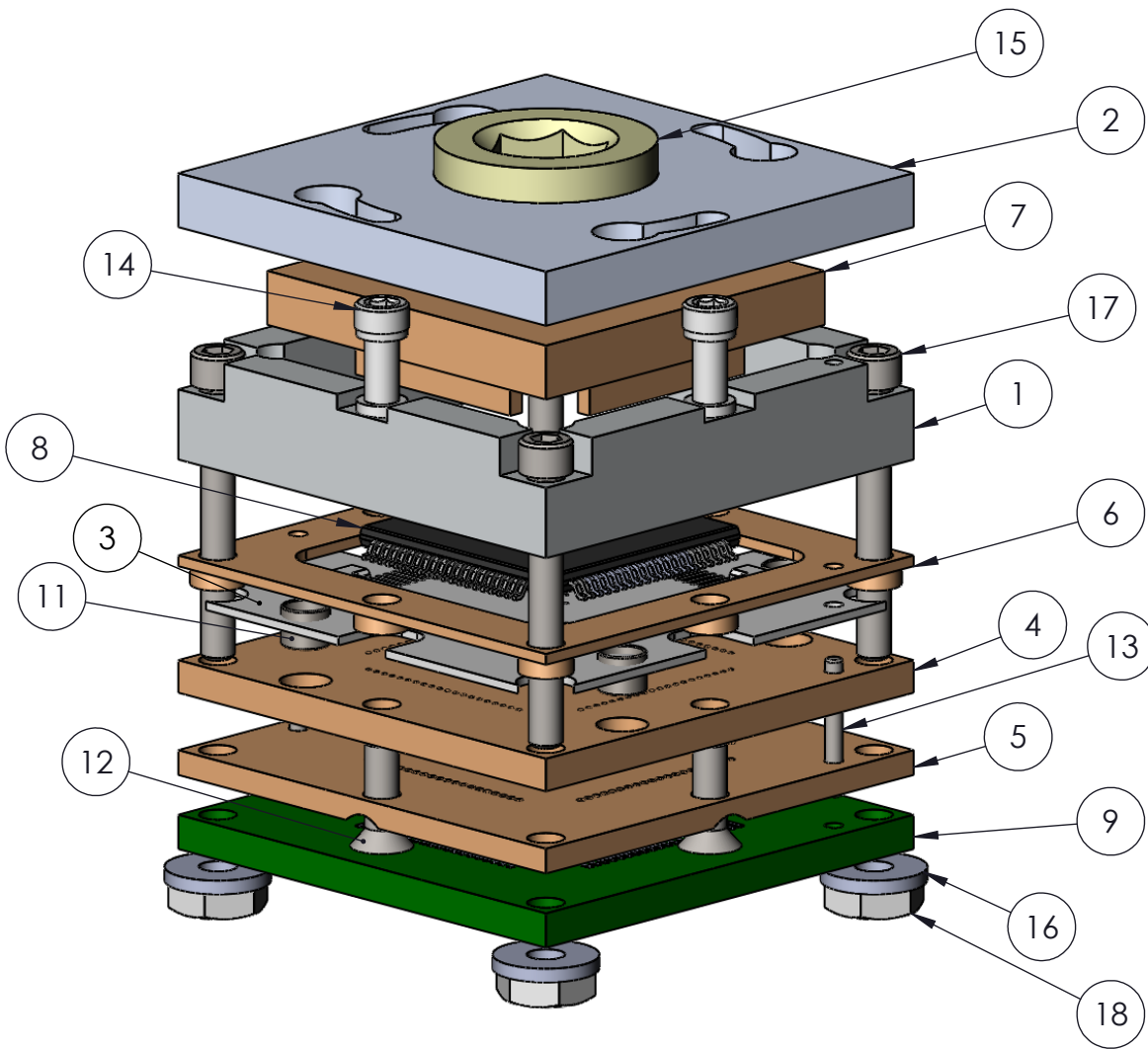
Ironwood Package Code: QFE80SC

1. Dimensions are in millimeters.
2. Interpret dimensions and tolerances per ASME Y14.5M-1994.

Description: Compatible QFE

Primary dimension units are millimeters, Secondary dimension units are [inches], Weight is in grams.
Tolerances: Hole diameters ±0.03mm [±0.001"], Pitches (from true position) ±0.025mm [±0.001"], substrate thickness tolerance ±10%, all other tolerances ±0.13mm [±0.005"] unless stated otherwise. Materials and specifications are subject to change without notice.

 <p>SBT-QFE-3000 Drawing Ironwood Electronics, Inc. Tele: (800) 404-0204 www.ironwoodelectronics.com</p>	<p>Material: Finish: Weight:</p>	STATUS: Released	SHEET: 3 OF 4	REV. A
		ENG: V. Panavala	DRAWN BY: D. Hauer	SCALE: 4:1
		FILE: SBT-QFE-3000	DATE: 2/25/13	




ITEM NO.	DESCRIPTION	Material
1	Socket Base 18mm	7075-T6 (SN)
2	Socket Lid	7075-T6 Aluminum Alloy
3	floating guide QFE80SC 0.5mm pitch	PEEK Ceramic filled
4	Middle Guide, QFE80SC 0.5mm pitch	Semitron MDS 100
5	Bottom Guide, QFE80SC 0.5mm pitch	Semitron MDS 100
6	IC Guide, QFE80SC 16x16mm	Ultem 1000
7	Compression Plate QFE80SC 0.5mm pitch	PEEK Ceramic filled
8	QFE80SC 0.5mm pitch IC	
9	PCB QFE80SC 0.5mm pitch	High Temp FR4
10	SBT Pin, 0.4mm pitch	N/A
11	Floating Guide Spring	Alloy Steel (SS)
12	Screw, #0-80 X .188", Flat, SS	Stainless Steel (18-8)
13	Dowel pin, 1/32" X 1/4", SS	Stainless Steel (18-8)
14	#0-80 Shoulder Screw, 0.062" thread length	Stainless Steel (303)
15	Compression Screw M10 with 4.25mm dia hole	7075-T6 (SN)
16	Washer, #0 x .025", Nylon	Nylon 6/6
17	#0-80 x 0.5, SH Cap Screw	Alloy Steel
18	Nut, #0-80, SS	Stainless Steel (18-8)

Description: Socket Spec

Primary dimension units are millimeters, Secondary dimension units are [inches], Weight is in grams.

Tolerances: Hole diameters $\pm 0.03\text{mm}$ [$\pm 0.001"$], Pitches (from true position) $\pm 0.025\text{mm}$ [$\pm 0.001"$], substrate thickness tolerance $\pm 10\%$, all other tolerances $\pm 0.13\text{mm}$ [$\pm 0.005"$] unless stated otherwise. Materials and specifications are subject to change without notice.

 SBT-QFE-3000 Drawing Ironwood Electronics, Inc. Tele: (800) 404-0204 www.ironwoodelectronics.com	Material: Finish: Weight:	STATUS: Released	SHEET: 4 OF 4	REV. A
		ENG: V. Panavala	DRAWN BY: D. Hauer	SCALE: 3:1
		FILE: SBT-QFE-3000	DATE: 2/25/13	