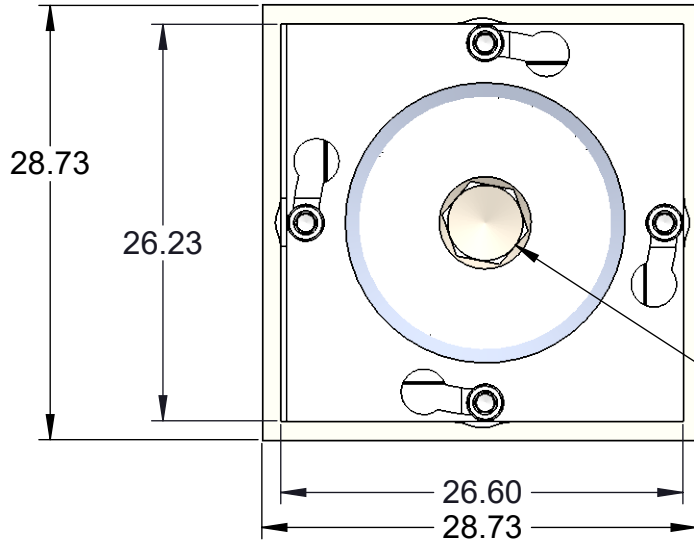


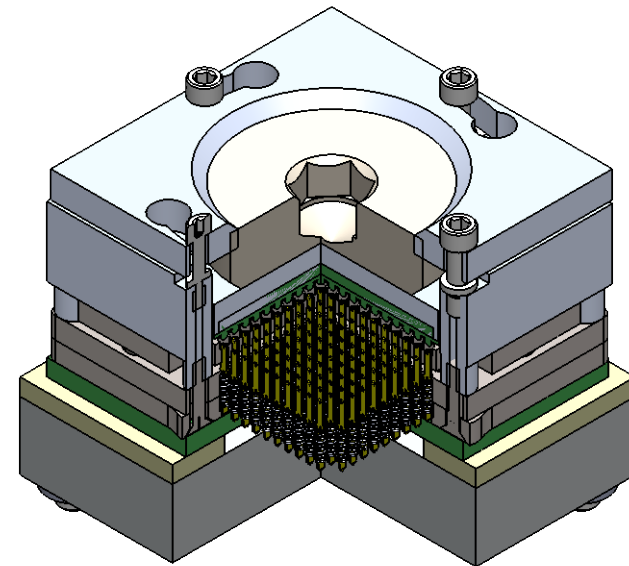
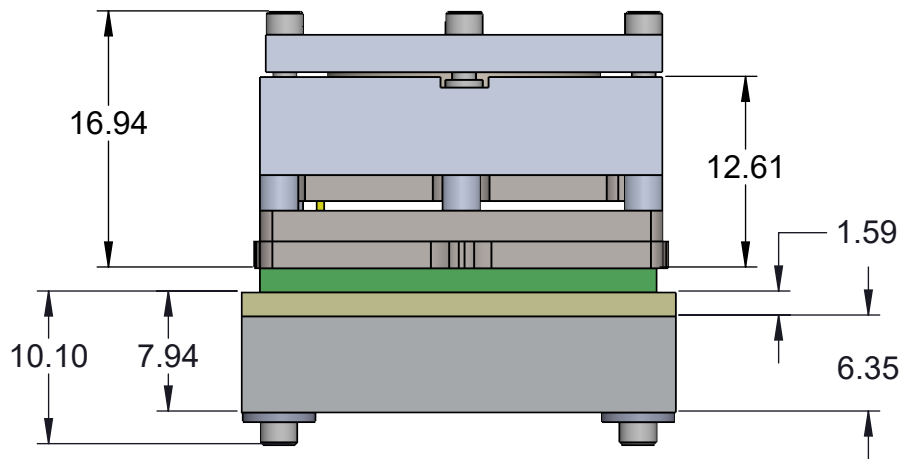
SBT-BGA DIRECT MOUNT, SOLDERLESS SOCKET FOR BURN-IN AND TEST APPLICATIONS



Features

- Wide temperature range (-55C to +180C).
- High current capability (up to 8A).
- Excellent signal integrity at high frequencies.
- Low and stable contact resistance for reliable production yield.
- Highly compliant to accommodate wide IC package co-planarity variations.
- Easily removable swivel lid


Required torque: 41.8 Ncm (3.7 lbf in)
Recommended tool: TL-TORQUEDRIVER-01

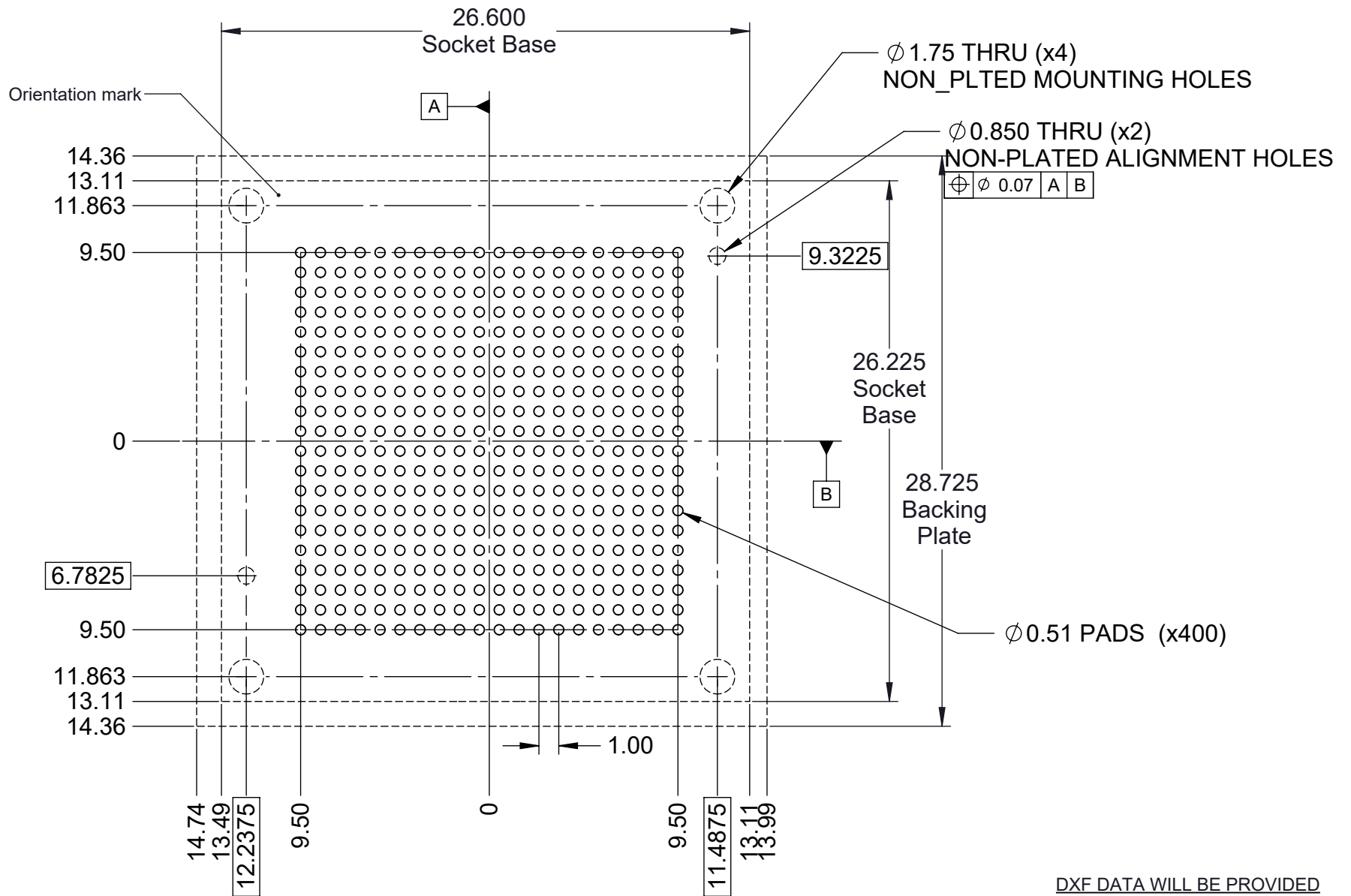


Description: SBT-BGA400, 21x21mm, 20x20 array 1.0mm pitch

Primary dimension units are millimeters, Secondary dimension units are [inches].

Tolerances: Hole diameters $\pm 0.03\text{mm}$ [$\pm 0.001''$], Pitches (from true position) $\pm 0.025\text{mm}$ [$\pm 0.001''$], substrate thickness tolerance $\pm 10\%$, all other tolerances $\pm 0.13\text{mm}$ [$\pm 0.005''$] unless stated otherwise. Materials and specifications are subject to change without notice.

 SBT-BGA-6540 Drawing Ironwood Electronics, Inc. Tele: (800) 404-0204 www.ironwoodelectronics.com	Material: N/A Finish: N/A Weight: 29.06	STATUS: Released	SHEET: 1 OF 5	REV. A
		DRAWN BY: M. Raske	SCALE: 2:1	
		FILE: SBT-BGA-6540 Dwg	DATE: 1/19/2017	




DXF DATA WILL BE PROVIDED

Description: Recommended PCB layout

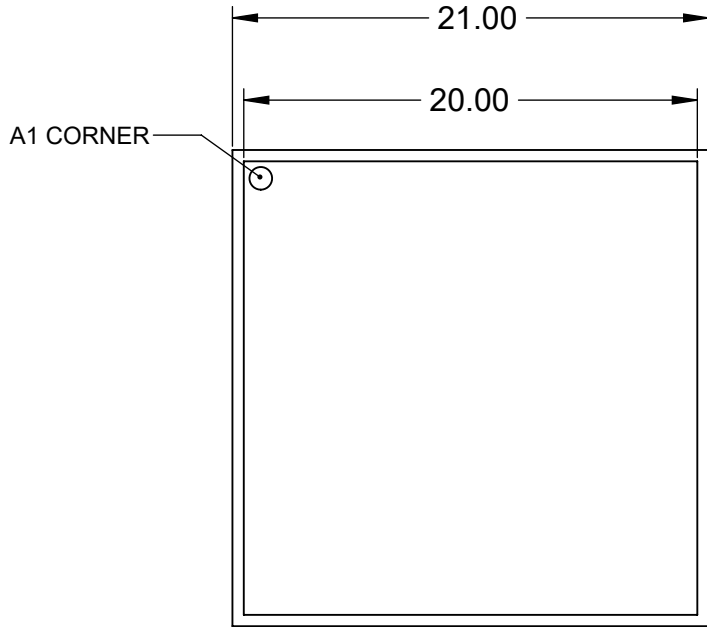
Primary dimension units are millimeters, Secondary dimension units are [inches], Weight is in grams.
 Tolerances: Hole diameters $\pm 0.0254\text{mm}$ [$\pm 0.001"$], Pitches (from true position) $\pm 0.0254\text{mm}$ [$\pm 0.001"$],
 substrate thickness tolerance $\pm 10\%$, all other tolerances $\pm 0.127\text{mm}$ [$\pm 0.005"$]
 unless stated otherwise. Materials and specifications are subject to change without notice.

Target PCB Recommendations

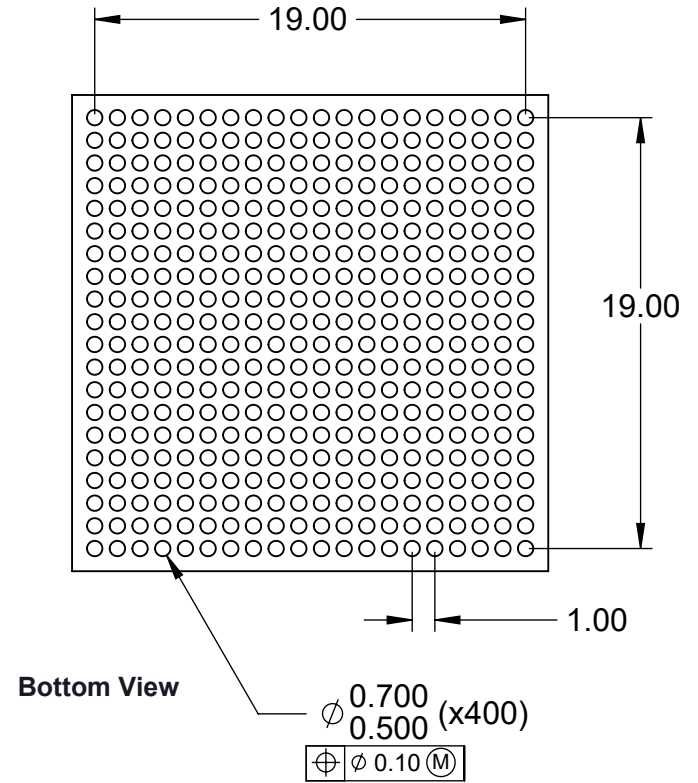
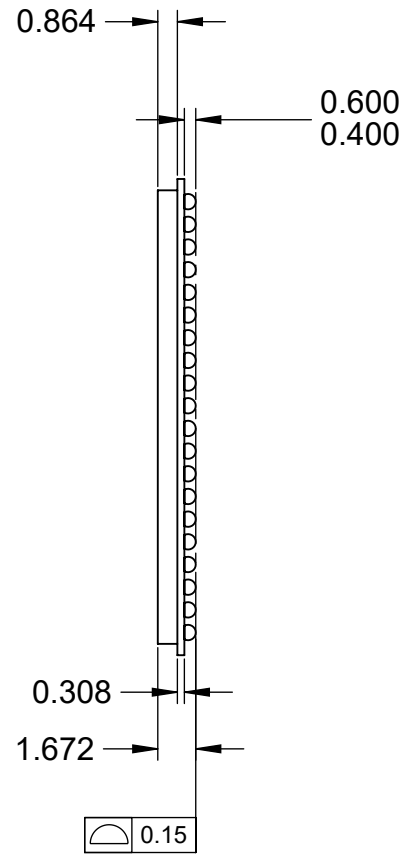
Total thickness: 1.6mm min.
 Plating: Gold or Solder finish

 <p>©2016 Ironwood Electronics, Inc. Tele: (800) 404-0204 www.ironwoodelectronics.com</p>	<p>SBT-BGA-6540 Drawing</p>	<p>Material: N/A Finish: N/A Weight: 29.06</p>	<p>STATUS: Released</p>	<p>SHEET: 2 OF 5</p>	<p>REV. A</p>
			<p>ENG: E. Smolentseva</p>	<p>DRAWN BY: M. Raske</p>	<p>SCALE: 3.5:1</p>
			<p>FILE: SBT-BGA-6540 Dwg</p>	<p>DATE: 1/19/2017</p>	

Ironwood Package Code: BGA400A



Top View




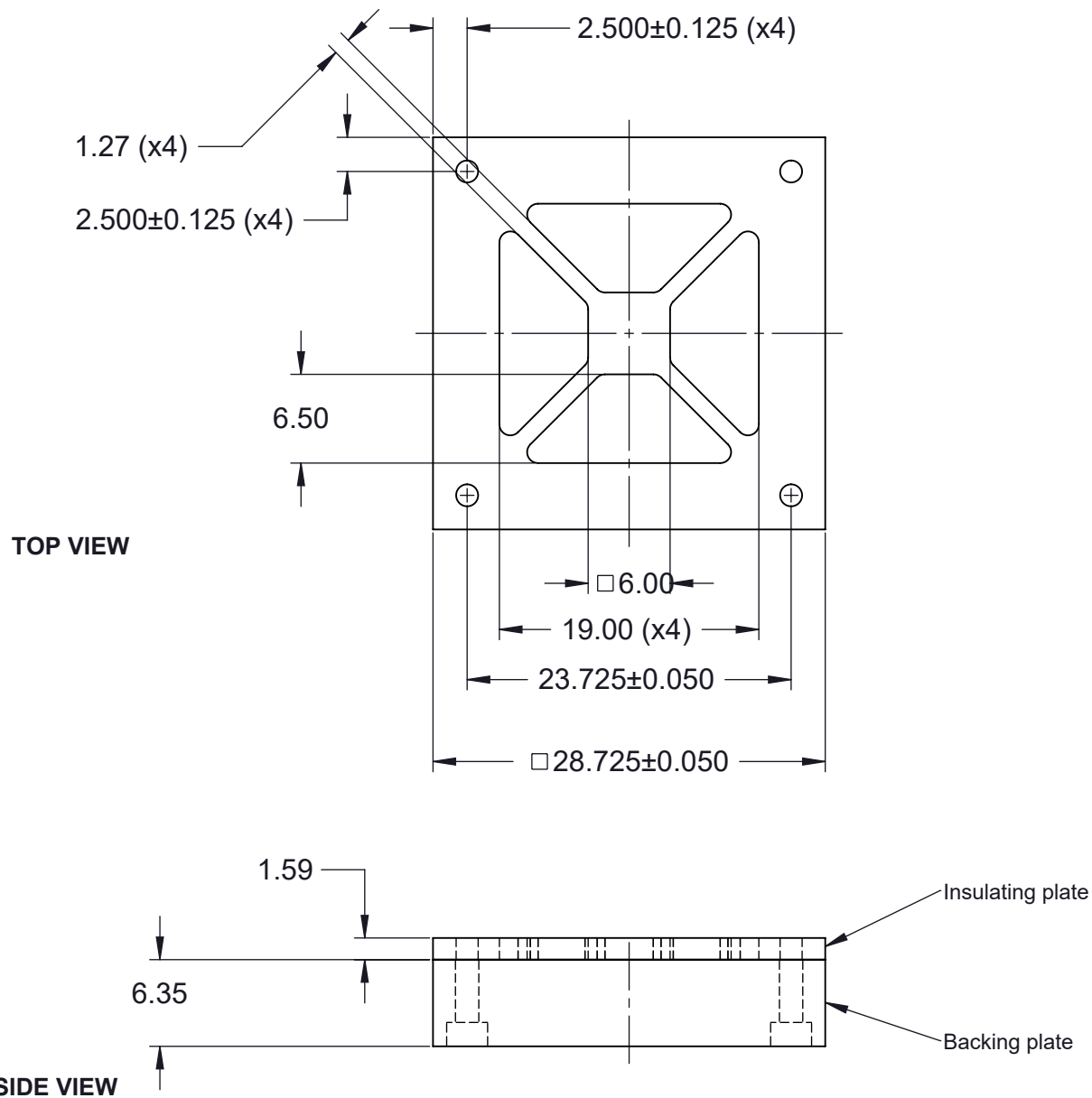
Bottom View

Description: Compatible BGA

Primary dimension units are millimeters, Secondary dimension units are [inches], Weight is in grams.
 Tolerances: Hole diameters $\pm 0.0254\text{mm}$ [± 0.001 "], Pitches (from true position) $\pm 0.0254\text{mm}$ [± 0.001 "],
 substrate thickness tolerance $\pm 10\%$, all other tolerances $\pm 0.127\text{mm}$ [± 0.005 "]
 unless stated otherwise. Materials and specifications are subject to change without notice.


Array: 20x20

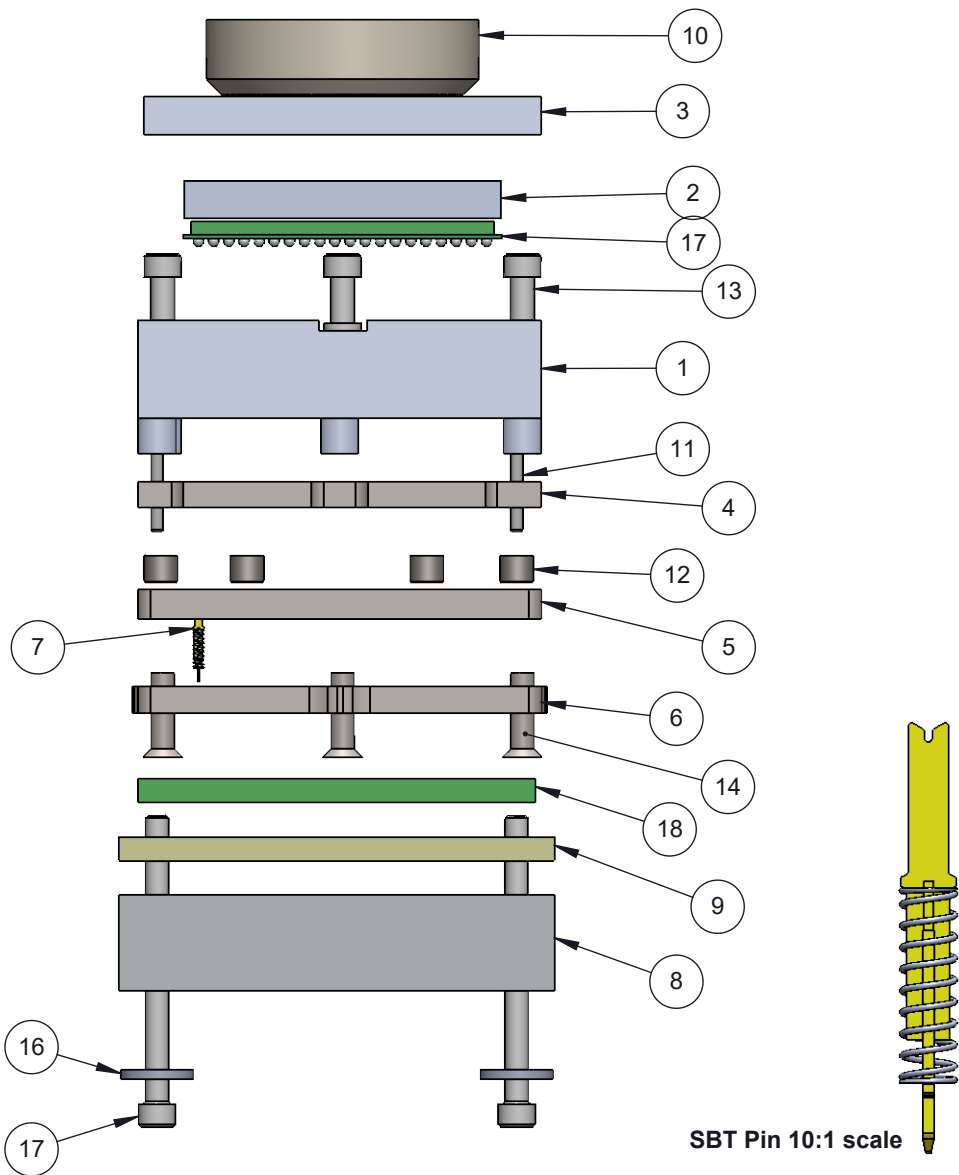
 ©2016 Ironwood Electronics, Inc. Tele: (800) 404-0204 www.ironwoodelectronics.com	SBT-BGA-6540 Drawing	Material: N/A Finish: N/A Weight: 29.06	STATUS: Released	SHEET: 3 OF 5	REV. A
			ENG: E. Smolentseva	DRAWN BY: M. Raske	SCALE: 3:1
			FILE: SBT-BGA-6540 Dwg	DATE: 1/19/2017	



Description: Backing Plate

Primary dimension units are millimeters, Secondary dimension units are [inches], Weight is in grams.
 Tolerances: Hole diameters ±0.0254mm [±0.001"], Pitches (from true position) ±0.0254mm [±0.001"],
 substrate thickness tolerance ±10%, all other tolerances ±0.127mm [±0.005"]
 unless stated otherwise. Materials and specifications are subject to change without notice.


 ©2016 Ironwood Electronics, Inc. Tele: (800) 404-0204 www.ironwoodelectronics.com	SBT-BGA-6540 Drawing	Material: N/A Finish: N/A Weight: 29.06	STATUS: Released	SHEET: 4 OF 5	REV. A
			ENG: E. Smolentseva	DRAWN BY: M. Raske	SCALE: 1:1
				FILE: SBT-BGA-6540 Dwg	DATE: 1/19/2017



ITEM NO.	DESCRIPTION	Material
1	SBT socket base for 21x21mm IC 0.375mm shift	7075-T6 Aluminum Alloy
2	Compression PLate, 20.95 X 20.95	7075-T6 Aluminum Alloy
3	SBT socket lid for 21mm IC	7075-T6 Aluminum Alloy
4	Floating Guide 20x20 array 1mm pitch	PEEK Ceramic filled
5	Middle Guide 20x20 array 1mm pitch	PEEK Ceramic filled
6	Bottom Guide 20x20 array 1mm pitch	PEEK
7	Pogo Pin, 1mm Pitch SBT BGA pin	
8	CBT/SBT Backing plate 21mm Ni plated	7075-T6, Plate (SS)
9	Insulation plate, 21x21mm IC	High Temp FR4
10	Compression Screw, M18	7075-T6 Aluminum Alloy
11	Dowel Pin, 1/32" x 3/8", SS	Chrome Stainless Steel
12	Floating Guide Spring	Alloy Steel (SS)
13	#0-80 Shoulder Screw, 1.59mm thread length	Stainless Steel (303)
14	#0-80, 90 deg., head pin guide screw, Peek material 5.5715mm overall Length	PEEK unfilled
17	#0-80 X .75 LG, SOC HD CAP SCREW, 18-8 SS	Stainless Steel (18-8)
16	Washer, #0 x .025", Nylon	Nylon 6/6
17	Test Chip	FR4 High temp
18	Test PCB	FR4 High temp

Description: Socket detail, Pin

Primary dimension units are millimeters, Secondary dimension units are [inches], Weight is in grams.
 Tolerances: Hole diameters ±0.0254mm [±0.001"], Pitches (from true position) ±0.0254mm [±0.001"], substrate thickness tolerance ±10%, all other tolerances ±0.127mm [±0.005"] unless stated otherwise. Materials and specifications are subject to change without notice.

 <p>SBT-BGA-6540 Drawing ©2016 Ironwood Electronics, Inc. Tele: (800) 404-0204 www.ironwoodelectronics.com</p>	<p>Material: N/A Finish: N/A Weight: 29.06</p>	STATUS: Released	SHEET: 5 OF 5	REV. A
		ENG: E. Smolentseva	DRAWN BY: M. Raske	SCALE: 2:1
		FILE: SBT-BGA-6540 Dwg	DATE: 1/19/2017	