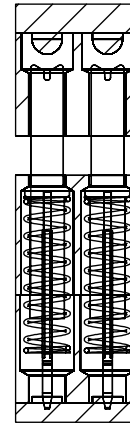
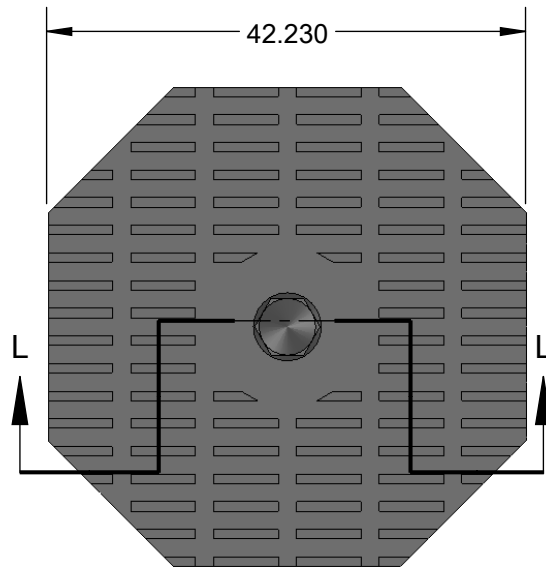


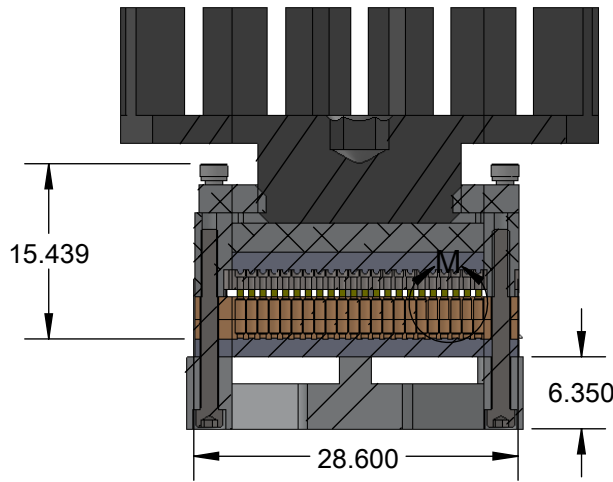
SBT-BGA DIRECT MOUNT, SOLDERLESS SOCKET FOR BURN-IN AND TEST APPLICATIONS



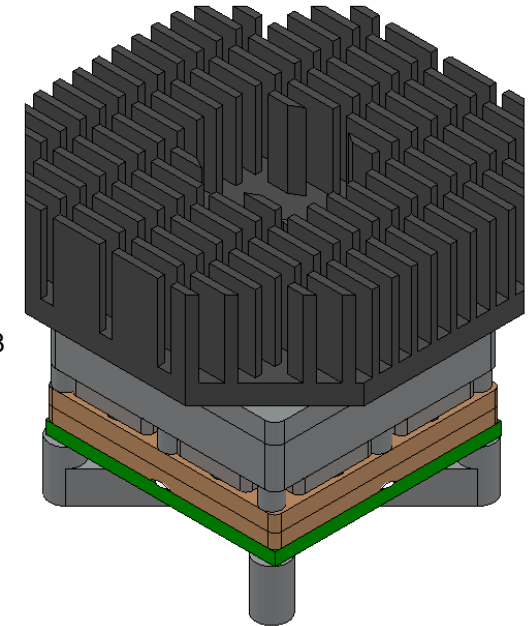
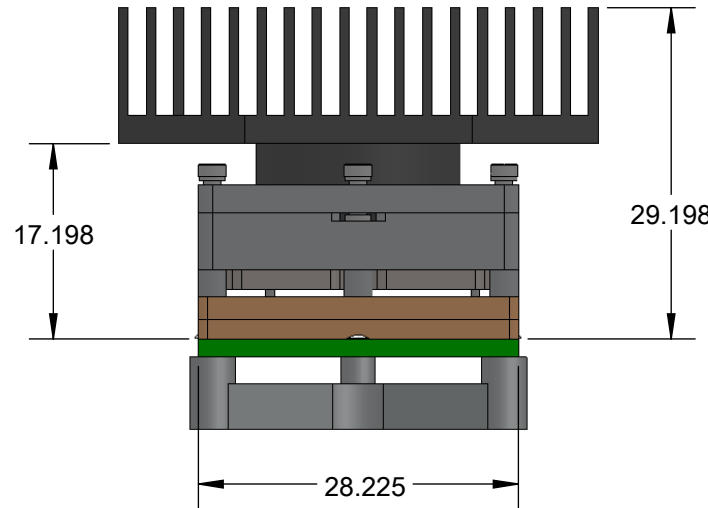
DETAIL M
SCALE 8 : 1

Features:

- Wide temperature range (-55C to +180C).
- High current capability (up to 4A).
- Excellent signal integrity at high frequencies.
- Low and stable contact resistance for reliable production yield.
- Highly compliant to accommodate wide co-planarity variations.
- Easily removable swivel lid




SECTION L-L



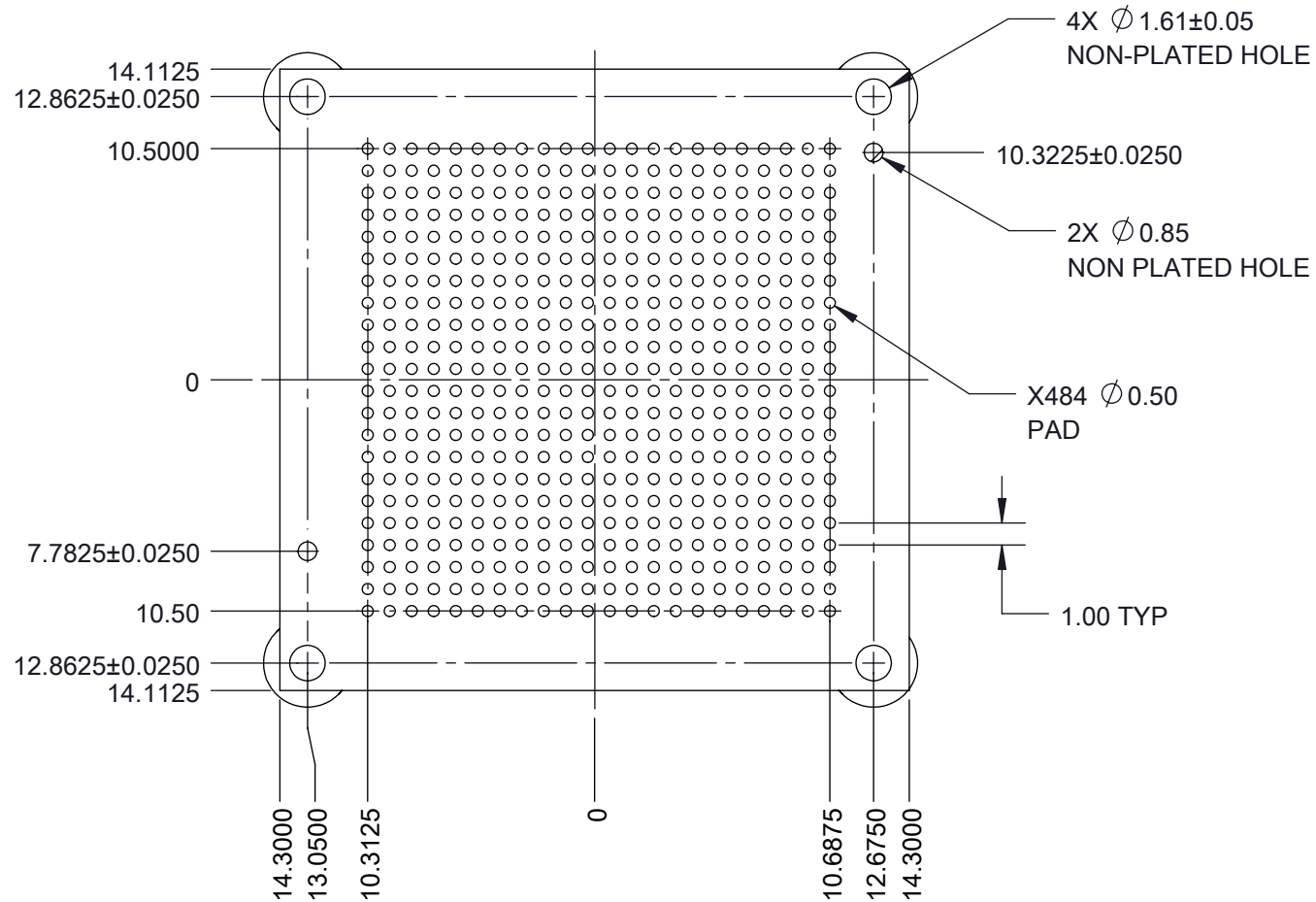
Description: SBT-BGA484 1MM 22x22 ARR SKT ASSEM

Primary dimension units are millimeters, Secondary dimension units are [inches], Weight is in grams.

Tolerances: Hole diameters $\pm 0.03\text{mm}$ [$\pm 0.001"$], Pitches (from true position) $\pm 0.025\text{mm}$ [$\pm 0.001"$], substrate thickness tolerance $\pm 10\%$, all other tolerances $\pm 0.13\text{mm}$ [$\pm 0.005"$] unless stated otherwise. Materials and specifications are subject to change without notice.

 SBT-BGA-6004 Drawing Ironwood Electronics, Inc. Tele: (800) 404-0204 www.ironwoodelectronics.com	Material: N/A Finish: N/A Weight: 50.57	STATUS: Released ENG: V. Panavala FILE: SBT-BGA-6004	SHEET: 1 OF 4 DRAWN BY: V. Panavala DATE: 2/7/13	REV. A SCALE: 3:2

Note: BGA pattern is not symmetrical with respect to the mounting holes



DESCRIPTION: Recommended PCB Layout

Description: Recommended PCB Layout

Primary dimension units are millimeters, Secondary dimension units are [inches], Weight is in grams.


Tolerances: Hole diameters $\pm 0.03\text{mm}$ [± 0.001 "], Pitches (from true position) $\pm 0.025\text{mm}$ [± 0.001 "], substrate thickness tolerance $\pm 10\%$, all other tolerances $\pm 0.13\text{mm}$ [± 0.005 "] unless stated otherwise. Materials and specifications are subject to change without notice.

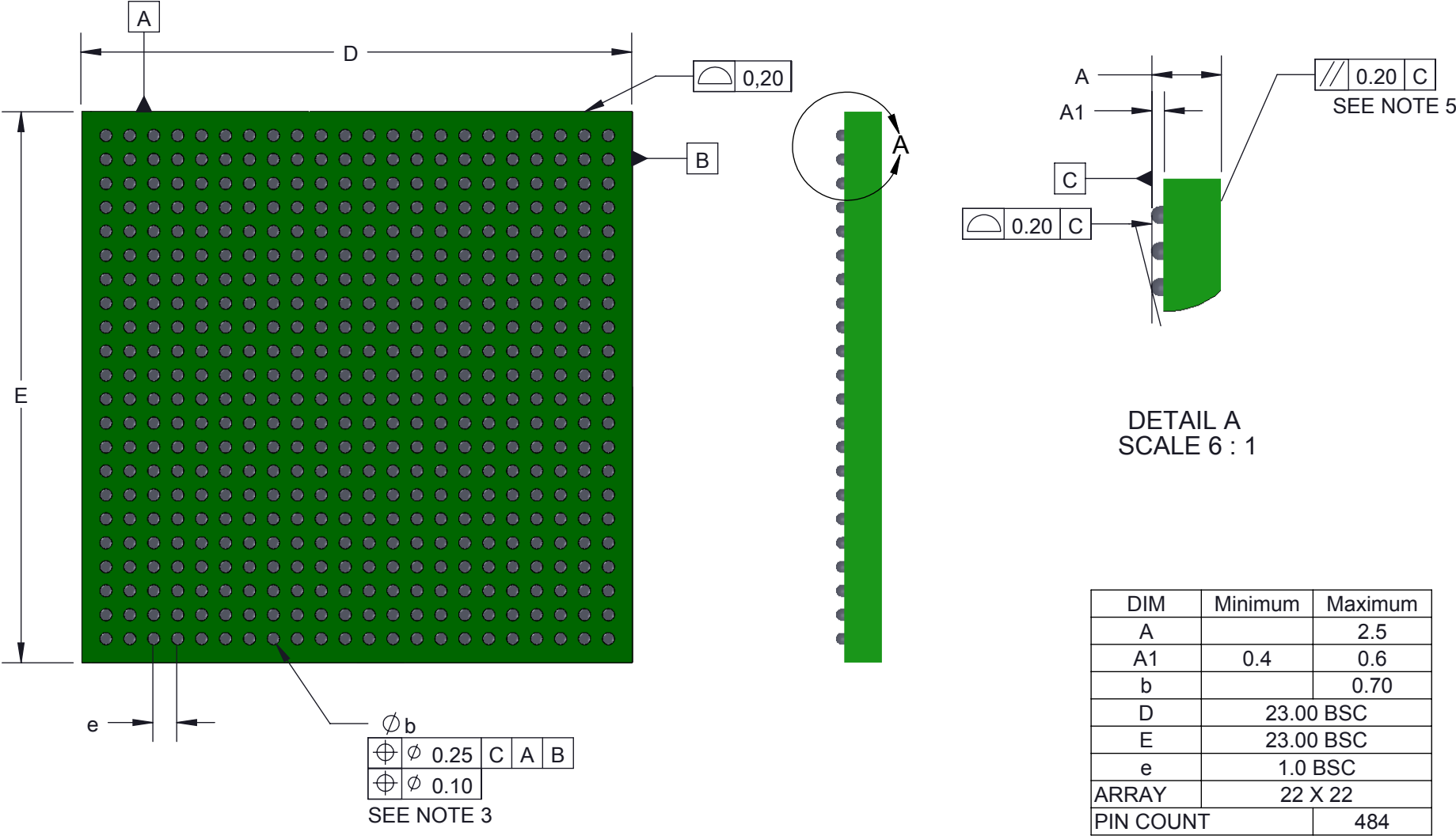
Target PCB Recommendations

Total thickness: 1.6mm min.

Plating: Gold or Solder finish

PCB Pad height: same or higher than solder mask

 <p>SBT-BGA-6004 Drawing Ironwood Electronics, Inc. Tele: (800) 404-0204 www.ironwoodelectronics.com</p>	<p>Material: N/A Finish: N/A Weight: 50.57</p>	STATUS: Released	SHEET: 2 OF 4	REV. A
		ENG: V. Panavala	DRAWN BY: V. Panavala	SCALE: 2:1
		FILE: SBT-BGA-6004	DATE: 2/7/13	




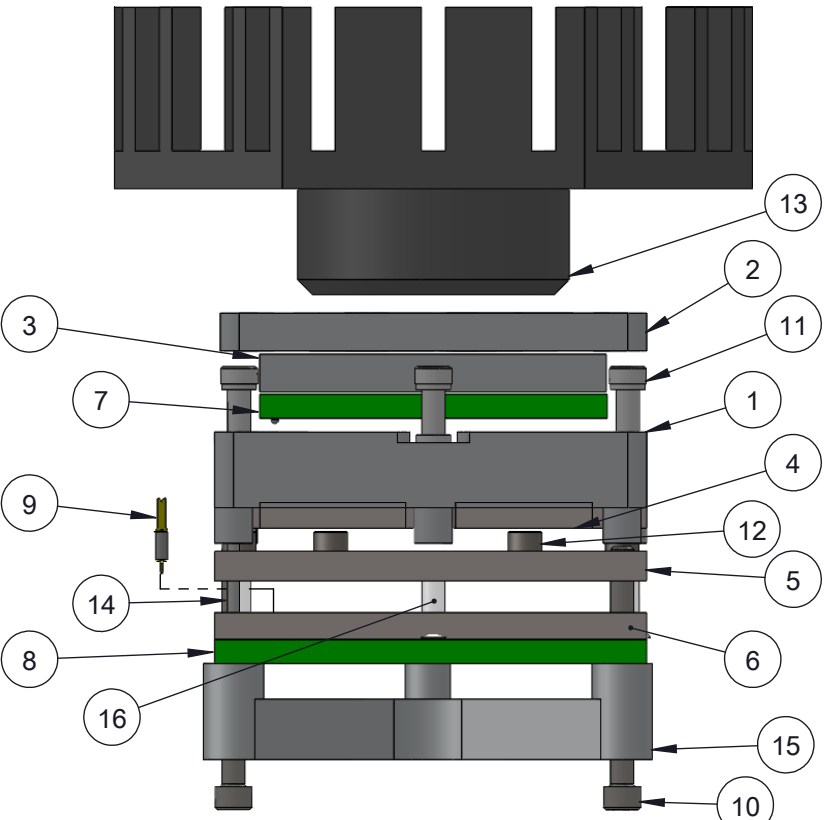
DESCRIPTION: Compatible BGA

1. Dimensions are in millimeters.
2. Interpret dimensions and tolerances per ASME Y14.5M-1994.
3. Dimension b is measured at the maximum solder ball diameter, parallel to datum plane Z.
4. Datum Z (seating plane) is defined by the spherical crowns of the solder balls.
5. Parallelism measurement shall exclude any effect of mark on top surface of package.

Description: Compatible BGA

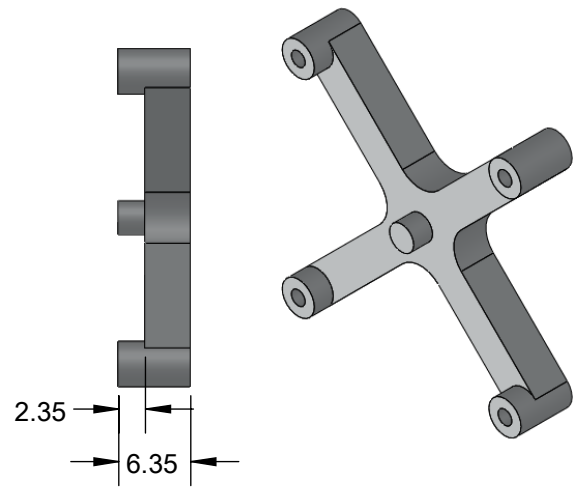
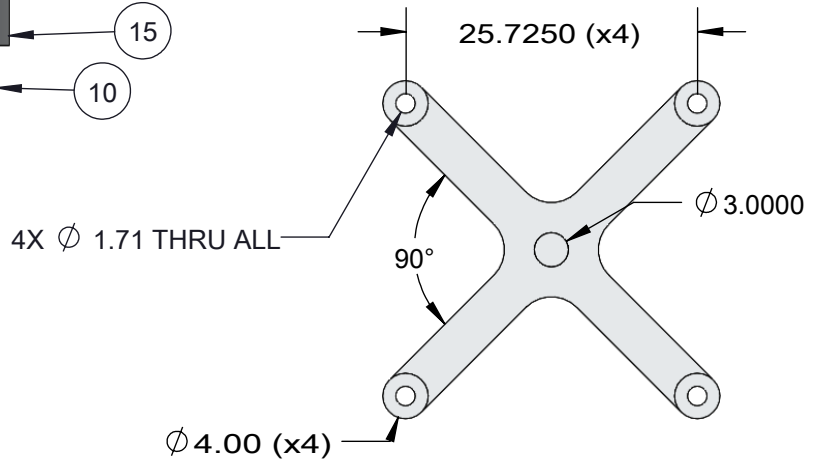
Primary dimension units are millimeters, Secondary dimension units are [inches], Weight is in grams.
 Tolerances: Hole diameters ±0.03mm [±0.001"], Pitches (from true position) ±0.025mm [±0.001"], substrate thickness tolerance ±10%, all other tolerances ±0.13mm [±0.005"] unless stated otherwise. Materials and specifications are subject to change without notice.

 SBT-BGA-6004 Drawing Ironwood Electronics, Inc. Tele: (800) 404-0204 www.ironwoodelectronics.com	Material: N/A Finish: N/A Weight: 50.57	STATUS: Released ENG: V. Panavala FILE: SBT-BGA-6004	SHEET: 3 OF 4 DRAWN BY: V. Panavala DATE: 2/7/13	REV. A SCALE: 2:1



ITEM NO.	DESCRIPTION	Material
1	SBT Ni Plt 23x3mm with 0.375 sft	7075-T6, Plate (SS)
2	SBT Ni plt skt lid 23mm	7075-T6, Plate (SS)
3	SBT COMP PLT NI PLT 23MM CSTM	7075-T6, Plate (SS)
4	Floating Guide 23X23mm 1mm 22x22 arr	PEEK Ceramic filled
5	Middle Guide 23X23mm 1mm 22x22 arr	PEEK Ceramic filled
6	Bottom Guide 23X23mm 1mm 22x22 arr	PEEK Ceramic filled
7	BGA chip for 23x23mm 1mm, 22x22array	Material <not specified>
8	Target PCB for 23x23mm; 1mm, 22x22	Material <not specified>
9	Pogo Pin, 1mm Pitch SBT BGA pin	
10	#0-80 X .625 LG, SOC HD CAP SCREW, ALLOY STL, BLK OXIDE	Alloy Steel
11	#0-80 Shoulder Screw, 0.062" thread length	Stainless Steel (303)
12	Floating Guide Spring	Alloy Steel (SS)
13	compression screw	7075-T6 Aluminum Alloy
14	Dowel Pin, 1/32" x 3/8", SS	Chrome Stainless Steel
15	SBT/CBT Backing Plate 23mm IC	7075-T6 Aluminum Alloy
16	#0-80 X .188" LG FL HD, Slotted, Polypropylene	PP Homopolymer


DESCRIPTION: Socket Assy, Insulation Plate



Description: Socket Assy, Insulation Plate

Primary dimension units are millimeters, Secondary dimension units are [inches], Weight is in grams.
 Tolerances: Hole diameters ±0.03mm [±0.001"], Pitches (from true position) ±0.025mm [±0.001"], substrate thickness tolerance ±10%, all other tolerances ±0.13mm [±0.005"] unless stated otherwise. Materials and specifications are subject to change without notice.

Insulation Plate Specification

 SBT-BGA-6004 Drawing Ironwood Electronics, Inc. Tele: (800) 404-0204 www.ironwoodelectronics.com	Material: N/A Finish: N/A Weight: 50.57	STATUS: Released ENG: V. Panavala FILE: SBT-BGA-6004	SHEET: 4 OF 4 DRAWN BY: V. Panavala DATE: 2/7/13	REV. A SCALE: 2:1
---	---	--	--	----------------------