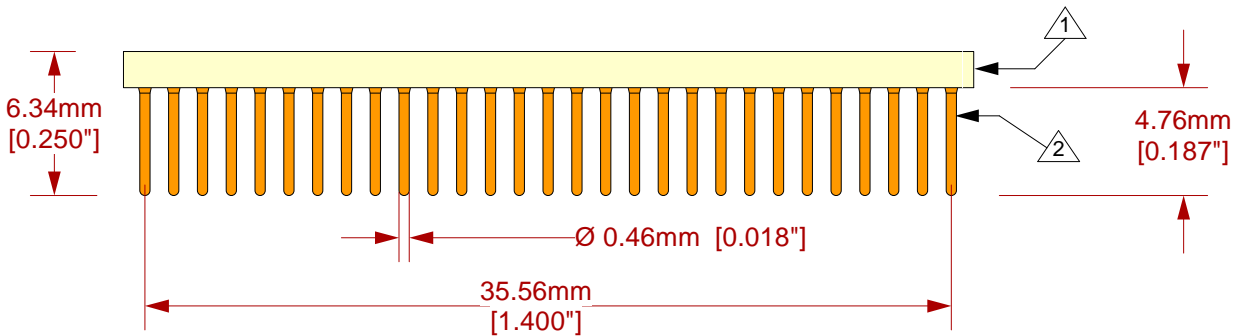


Side View




1 Substrate: 1.59mm \pm 0.18mm [0.0625" \pm 0.007"]
FR4/G10 or equivalent high temp material.

2 Pins: material- Brass Alloy 360 1/2 hard; finish-
0.25 μ m [10 μ] Au over 1.27 μ m [50 μ] Ni (min.).

Description: BGA SMT Land Socket

480 position BGA surface mount land pattern to terminal pins (1.27mm [0.050"] centers, 29x29 array)

Tolerances: diameters \pm 0.03mm [\pm 0.001"], PCB perimeters \pm 0.13mm [\pm 0.005"], PCB thicknesses \pm 0.18mm [\pm 0.007"], pitches (from true position) \pm 0.08mm [\pm 0.003"], all other tolerances \pm 0.13mm [\pm 0.005"] unless stated otherwise. Materials and specifications are subject to change without notice.

	LS-BGA480B-71 Drawing	Status: Released	Scale: 3:1	Rev: A
	© 2008 IRONWOOD ELECTRONICS, INC. Tele: (952) 229-8200 www.ironwoodelectronics.com	Drawing: S. Faiz		Date: 5/12/08
		File: LS-BGA480B-71 Dwg	Modified:	