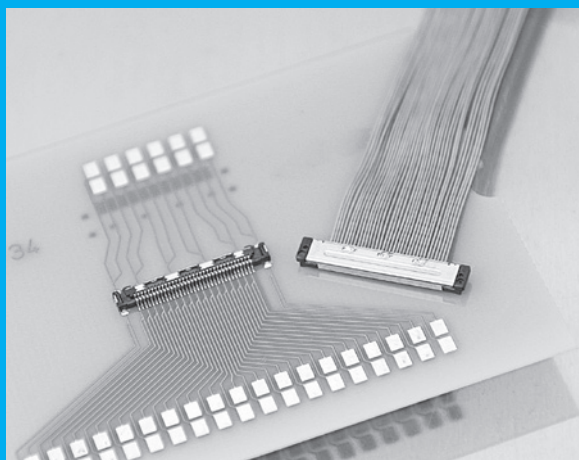


# USLS21 SERIES

RoHS  
Compliant

0.4mm PITCH CONNECTOR FOR MICRO COAXIAL CABLE /SOLDERED CONNECTION (STACKING TYPE)



## FEATURES

- ▶ Compact connector with a low profile of 1.65 mm(0.065") and a mating width of 3.05 mm(0.120").
- ▶ For micro coaxial cable(#40 AWG, #42 AWG, #44 AWG, #46 AWG).
- ▶ Provided with a soldered cable connection.
- ▶ Equipped with a metal shell, noise reduction and product strength are ensured.
- ▶ Multiple ground terminals are provided for enhanced transmission characteristics and EMS protection.
- ▶ Highly reliable design with effective mating length of 0.35mm(0.014").
- ▶ Nickel barrier of the board side contact prevents solder wicking.
- ▶ Possible to put through narrow tube with a diameter of  $\phi 4\text{mm}$  ( $\phi 0.157''$ ) even after soldering.

## ORDER CODE

**USLS00-34-**

①                      ②                      ③

\*Please order in multiples of the quantity per package.

- ① **[Type]** USLS00 : Receptacle (PCB side connector)
- ② **[Number of contacts]** 34 : 34 pin
- ③ **[Number of packing]** A : 500pcs. per reel B : 1,000pcs. per reel C : 3,000pcs. per reel

## ORDER CODE

**USLS21-34**

①                      ②

\*Please order in multiples of the quantity per package.

- ① **[Type]** USLS21 : Plug (Cable side connector) soldered cable connection type
- ② **[Number of contacts]** 34 : 34 pin

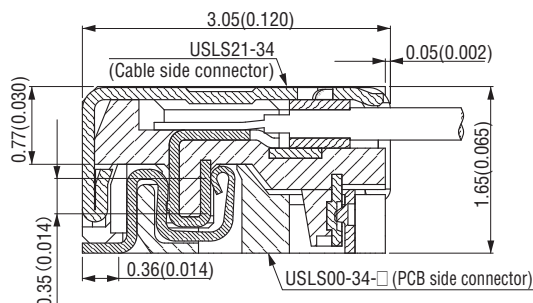
\*Plug(cable side connector) is composed of a base and a shell.The base is packed in embossed tape and reel (5,000pcs per reel) and the shell is packed in embossed tape and reel (10,000pcs per reel),therefore MOQ of the plug is 10,000pcs. Please contact your local KEL sales office for orders less than the MOQ 10,000pcs.

## SPECIFICATIONS

Material and finish		Electrical Characteristics	
Insulator material	Glass-filled LCP(UL94V-0),Black	Current rating	0.25A per contact
Contact material	Copper alloy	Contact resistance	100mΩ max.
Contact plating	Gold over Nickel	Dielectric withstanding voltage	200V AC for 1minute
Shell material	[USLS00] Copper alloy	Insulation resistance	100MΩ min.at 250V DC
	[USLS21] Stainless	Operating temperature	-40°C to +85°C
Shell plating	Gold over Nickel	Recommended cable	#40/42/44/46 AWG Micro coaxial cables (Outermost diameter: max. 0.39 mm(0.015"))
Adsorption tape material	[USLS00] Polyimide		

## Mating Drawing

Unit : mm(inch)

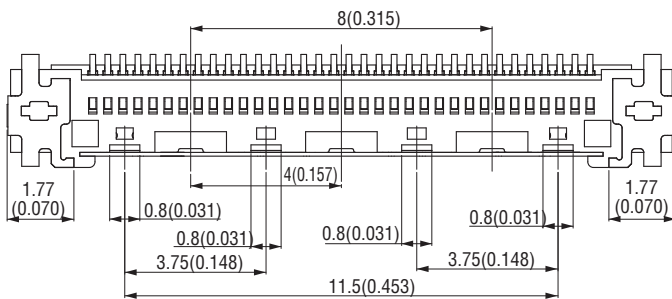
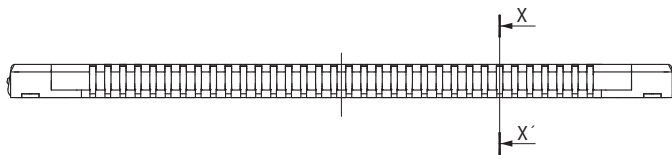
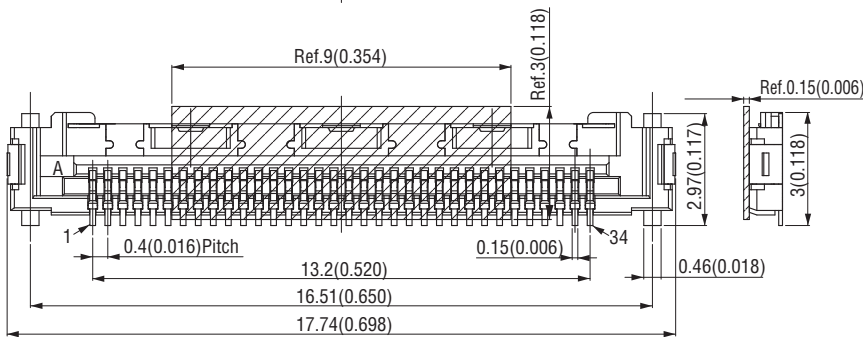
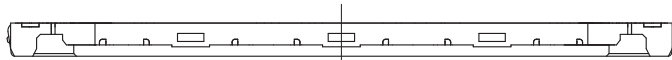
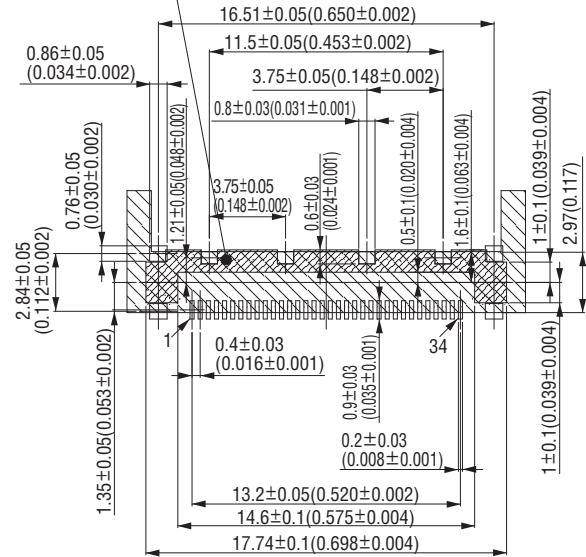


# USLS00-34-□ (Receptacle, PCB side connector)

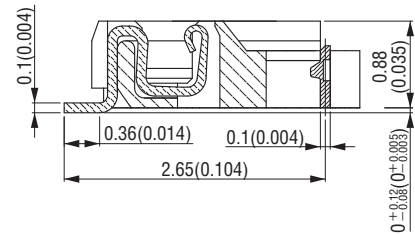
Unit : mm(inch)

## Printed Circuit Board Layout (Component Side View)

The metal shell is contact with diagonal line area.  
Do not pattern in this area.  
Ground mounting is recommended.



### X-X' Cross Section



### Ground Installation

No. of contacts	No. of ground
34	8

Packaging style

Embossed tape

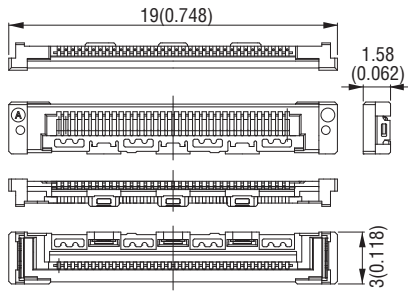
### Product Table

Part Number	Number of packaging
USLS00-34-A	500
USLS00-34-B	1,000
USLS00-34-C	3,000

# USLS21-34 (Plug, Cable side connector)

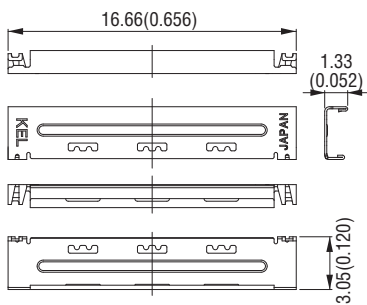
Unit : mm(inch)

## USLS21-34BASE



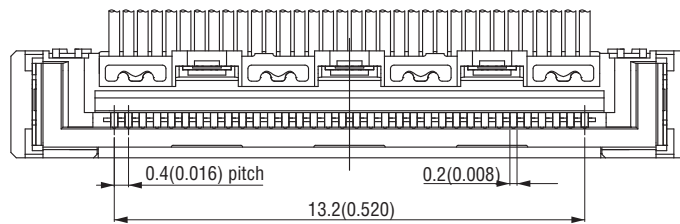
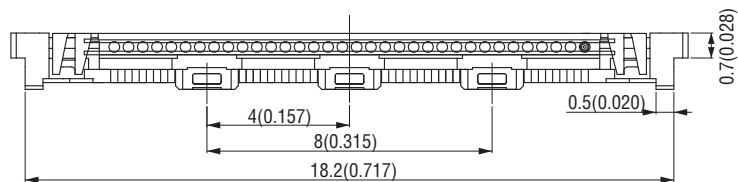
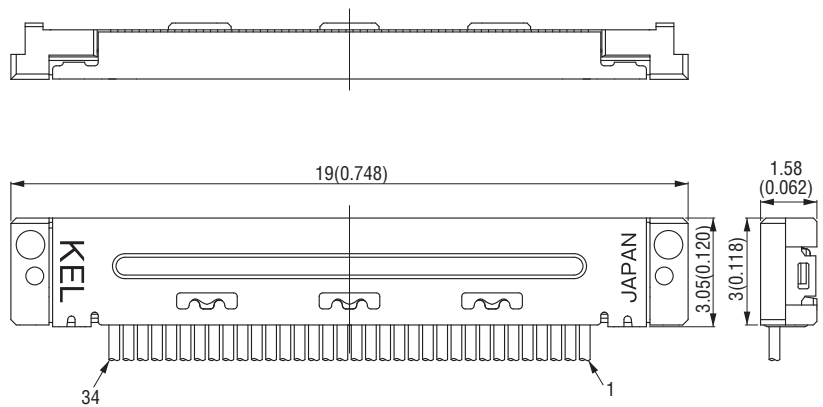
Number of packaging  
5,000

## USLS21-34SHELL



Number of packaging  
10,000

\*USLS21-34BASE and USL20-34SHELL are component parts of USL21-34.



Packaging style

Other

### Product Table

No. of contacts	Part Number	Number of packaging
34	USLS21-34	10,000