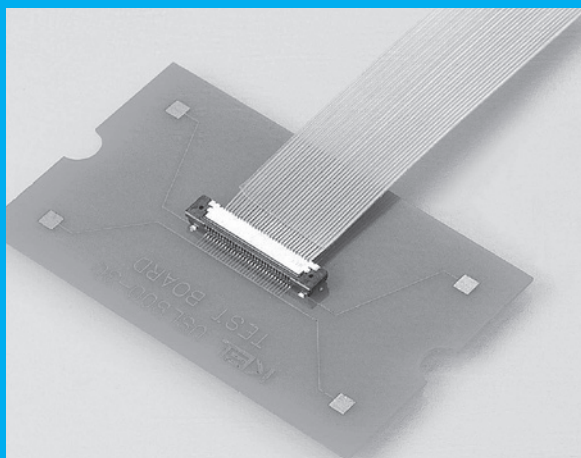


USLS SERIES

RoHS
Compliant

0.4mm PITCH CONNECTOR FOR MICRO COAXIAL CABLE (STACKING TYPE)



FEATURES

- ▶ Compact connector with a low profile of 1.65 mm(0.065") and a mating width of 3.05 mm(0.120").
- ▶ For micro coaxial cable (#42 AWG).
- ▶ IDC of contacts all together is adopted for improved connection reliability and more compact connectors.
- ▶ Equipped with a metal shell, noise reduction and product strength are ensured.
- ▶ Multiple ground terminals are provided for enhanced transmission characteristics and EMS protection.
- ▶ Highly reliable design with effective mating length of 0.35mm(0.014").
- ▶ Nickel barrier of the board side contact prevents solder wicking.
- ▶ Possible to put through narrow tube with a diameter of $\phi 2.7\text{mm}(\phi 0.106")$ even after soldering.

*Specially designed withdrawal jig is available.

ORDER CODE

USLS00 - -

① ② ③

*Please order in multiples of the quantity per package.

- ① **[Type]** **USLS00** : Receptacle (PCB side connector)
- ② **[Number of contacts]** **20** : 20 pin **30** : 30 pin **40** : 40 pin
- ③ **[Number of Packaging]** **A** : 500pcs. per reel **B** : 1,000pcs. per reel **C** : 3,000pcs. per reel

ORDER CODE

USLS20 - -

① ②

*Please order in multiples of the quantity per package.

- ① **[Type]** **USLS20** : Plug (Cable side connector)
- ② **[Number of contacts]** **20** : 20 pin **30** : 30 pin **40** : 40 pin

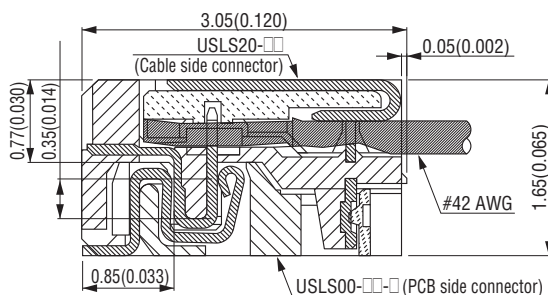
*Plug (cable side connector) is composed of base and cover.

SPECIFICATIONS

Material and plating		Electrical Characteristics	
Insulator material	Glass-filled LCP(UL94V-0),Black	Current rating	0.25A per contact
Contact material	Copper alloy	Contact resistance	100m Ω max.
Contact plating	Gold over Nickel Nickel Barrier(Board side)	Dielectric withstanding voltage	200V AC for 1minute
Shell material	Copper alloy	Insulation resistance	100M Ω min.at 250V DC
Shell plating	Gold over Nickel(Shell 1) Tin copper over Nickel(Shell 2)	Operating temperature	-40°C to +85°C
Cover material	Glass-filled LCP(UL94V-0),Black	Recommended cable	#42 AWG Micro coaxial cable
Adsorption tape material	[USLS00] Polyimide		

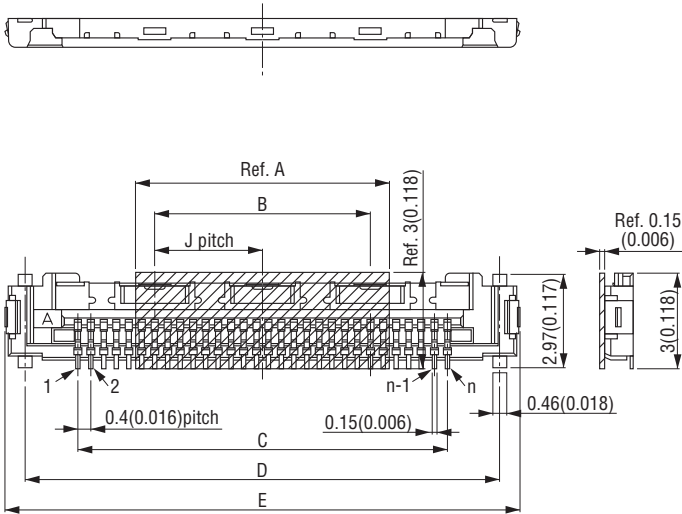
Mating Drawing

Unit : mm (inch)

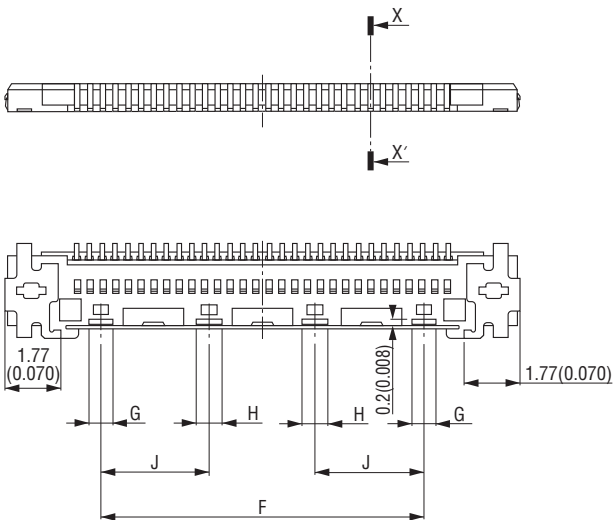
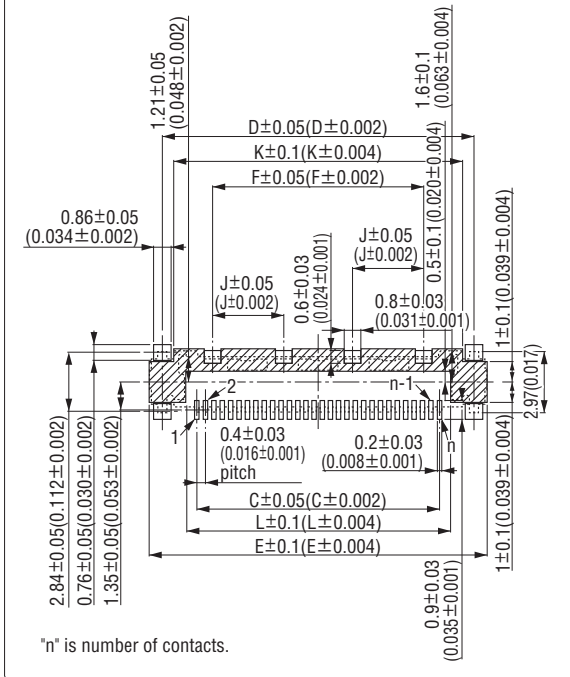


USLS00-□□-□ (Receptacle, PCB side connector)

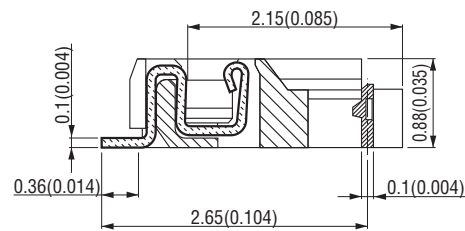
Unit : mm (inch)



Printed Circuit Board Layout (Component Side View)



X-X' Cross Section



Ground Installation

No. of contacts	No. of ground
20	7
30	8
40	9

Packaging style

Embossed tape

Product Table

Part Number	Number of packaging
USLS00-□□-A	500
USLS00-□□-B	1,000
USLS00-□□-C	3,000

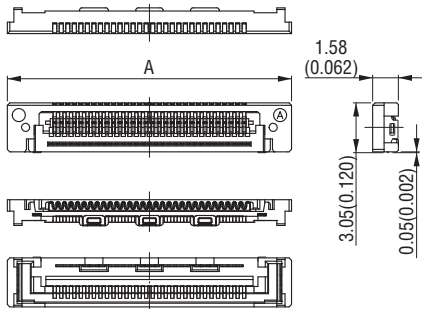
Product Table / Dimensions

No. of contacts	Part Number	A	B	C	D	E	F	G	H	J	K	L
20	USLS00-20-□	5.0 (0.197)	3.1 (0.122)	7.6 (0.299)	10.91 (0.430)	12.14 (0.478)	6.2 (0.244)	0.60 (0.024)	0.6 (0.024)	3.1 (0.122)	9.8 (0.386)	8.6 (0.339)
30	USLS00-30-□	8.0 (0.315)	6.8 (0.268)	11.6 (0.457)	14.91 (0.587)	16.14 (0.635)	10.1 (0.398)	0.75 (0.030)	0.8 (0.031)	3.4 (0.134)	13.8 (0.543)	12.6 (0.496)
40	USLS00-40-□	8.0 (0.315)	10.5 (0.413)	15.6 (0.614)	18.91 (0.744)	20.14 (0.793)	14.0 (0.551)	0.80 (0.031)	0.8 (0.031)	3.5 (0.138)	17.8 (0.701)	16.6 (0.654)

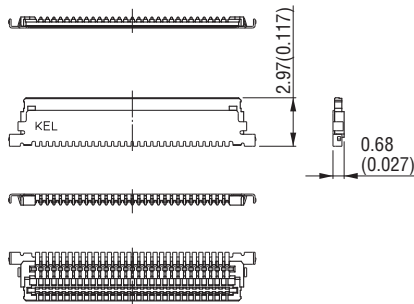
USLS20-□□ (Plug, Cable side connector)

Unit : mm(inch)

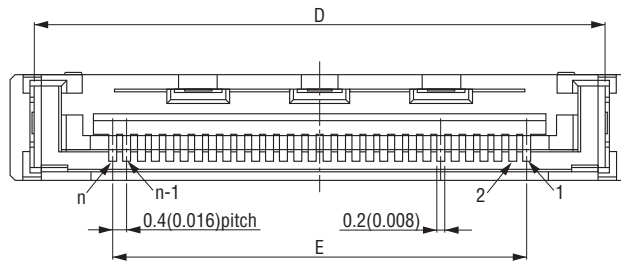
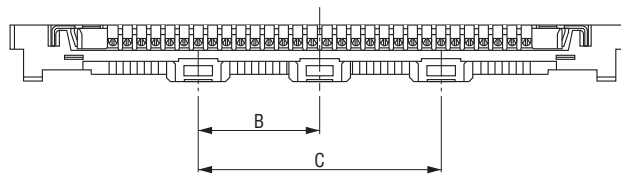
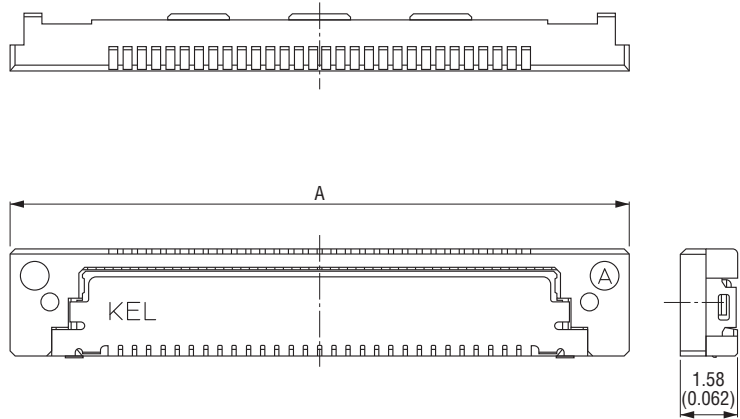
USLS20-□□ BASE



USLS20-□□ CV



*USLS20-□□BASE and USLS20-□□CV are component parts of USLS20-□□.



"n" is number of contacts.

Packaging style

Tray

Product Table / Dimensions

No. of contacts	Part Number	A	B	C	D	E	Number of packaging
20	USLS20-20	13.4 (0.528)	3.1 (0.122)	—	12.0 (0.472)	7.6 (0.299)	160
30	USLS20-30	17.4 (0.685)	3.4 (0.134)	6.8 (0.268)	16.0 (0.630)	11.6 (0.457)	120
40	USLS20-40	21.4 (0.843)	3.5 (0.138)	10.5 (0.413)	20.0 (0.787)	15.6 (0.614)	100

