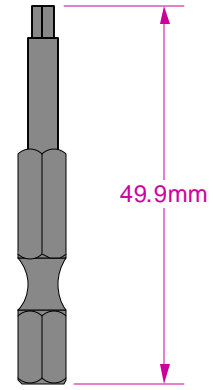
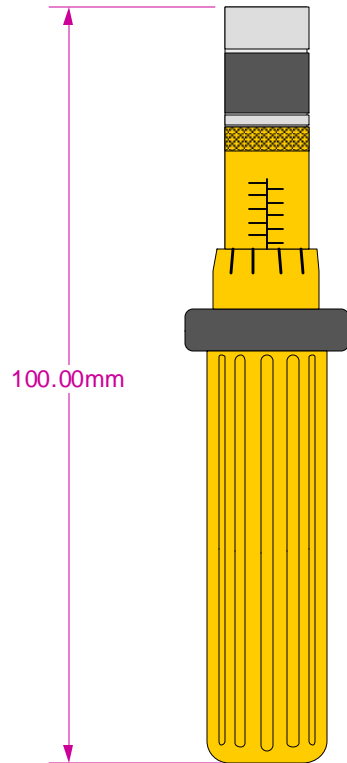
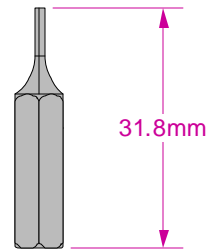


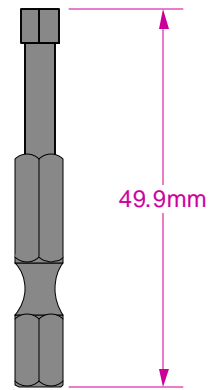
Side View



3mm Hex Bit



0.050" Hex Bit



5mm Hex Bit

Description: Tool (TL), Torquedriver

Adjustable torque driver, Torque: 6-24 in./oz. [0.375-1.5 in./lb.], 1/4" hex female shank receiver, includes 5mm, 3mm and 0.050" hex bit.

	TL-Torquedriver-09 Drawing		Status: Released	Scale: 2:1	Rev: B	
	© 2010 IRONWOOD ELECTRONICS, INC. Tele: (952) 229-8200 www.ironwoodelectronics.com			Drawing by: H. Hansen		Date: 12/15/04
				File: TL-Torquedriver-09 Dwg		Modified: 3/19/10