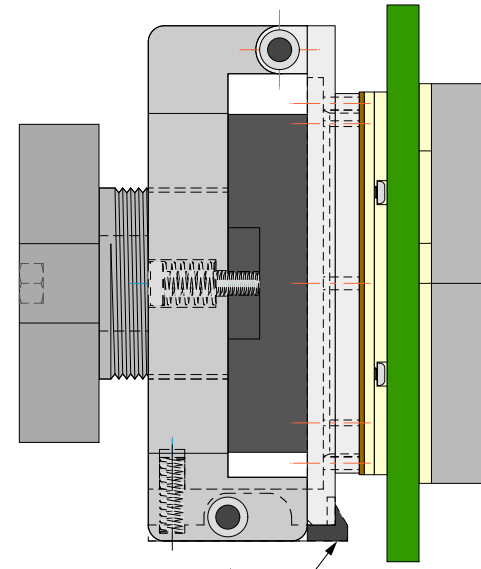


Top View

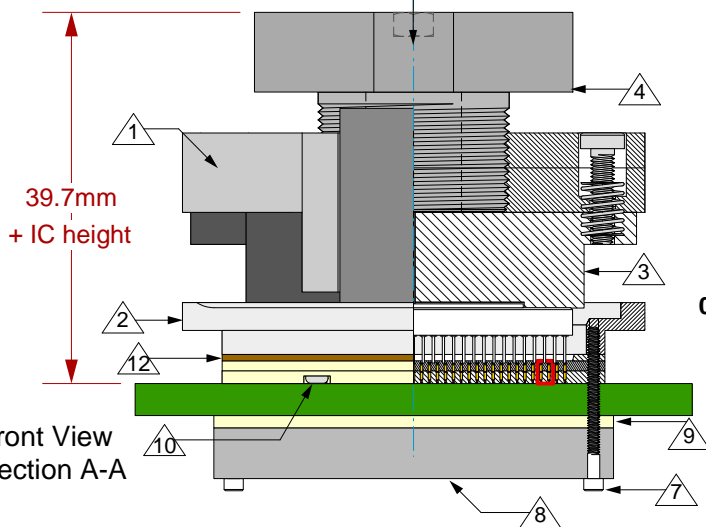
Turn the compression screw clockwise, until it makes contact with the compression plate. Turn additional 1/8 of a turn.



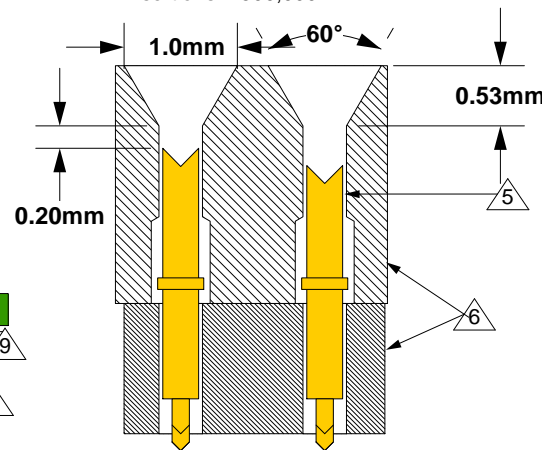
Side View

Probe Specification:

Minimum pitch: 0.020" (0.5mm)  
 Signal path length: 0.093" (2.37mm)  
 Force per contact: 27g (0.96oz.) at operating position.  
 Device compliance: 0.006" (0.15mm)  
 DUT Board Compliance: 0.006" (0.15mm)  
 Operating Temp.: -55C to +150C  
 Insertions: >500,000



Front View Section A-A



initial position    operating position

**Features**

- Directly mounts to target PCB (needs tooling holes) with hardware
- Minimum real estate required
- Compression plate distributes evenly
- Clamshell lid


**Materials:**

- 1 Clam Shell Lid: Black anodized Aluminum. Height = 20 mm.
- 2 Socket Base: Black anodized Aluminum. Height = 6 mm.
- 3 Compression Plate: Black anodized Aluminum. Thickness = 12 mm.
- 4 Compression Screw: Clear anodized Aluminum. Height = 27 mm, Fluted Knob
- 5 Pogo Pin: Plungers - Full hard beryllium copper, gold plated  
Barrel - Nickel/ Silver, gold plated  
Spring - Stainless Steel, gold plated
- 6 Pogo Pin Guides: Ceramic Filled Peek
- 7 Socket Base Screw: Socket Head Cap Screw, Black Oxide, 0-80 Thread, 15.875mm
- 8 Backing Plate: Black anodized Aluminum
- 9 Insulation Plate: FR4/G10
- 10 Pogo Pin Guide Screw: Flat head slotted, 18-8 SS, 0-80 thread, 7.94mm (5/16") long.
- 11 Latch: Black anodized Aluminum.
- 12 IC guide: Ultem

Electrical Specifications:

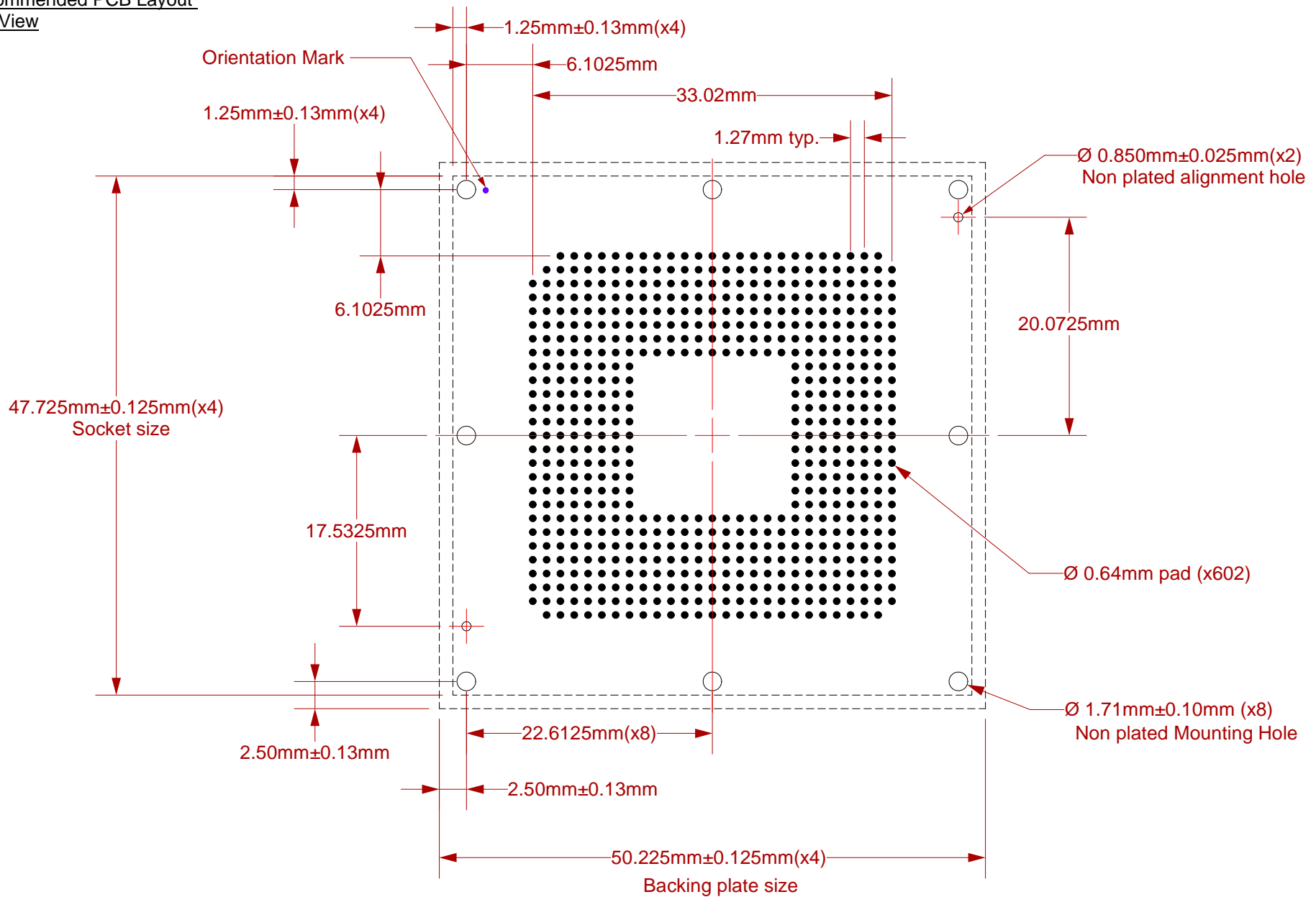
Impedance: 50W  
 Current Carrying: 5 amps continuous.  
 Typical Resistance: <50 mW  
 Inductance: 1.1nH

Description: PGA Test Socket  
 602 position PGA test socket.

	<b>SS-PGA27/602A-01 Drawing</b>		
	© 2010 IRONWOOD ELECTRONICS, INC. 11351 Rupp Drive, Suite 400, Burnsville, MN 55337 Tele: (952) 229-8200 www.ironwoodelectronics.com		Status: Released
	Drawing: E Smolentseva File: SS-PGA27/602A-01 Dwg		Scale: 1.25:1 Date: 3/4/10 Rev: A Modified:

All Tolerances: ±0.125mm (unless stated otherwise). Materials and specifications are subject to change without notice.

Recommended PCB Layout  
Top View




Target PCB Recommendations

Total thickness: 2.38mm min.

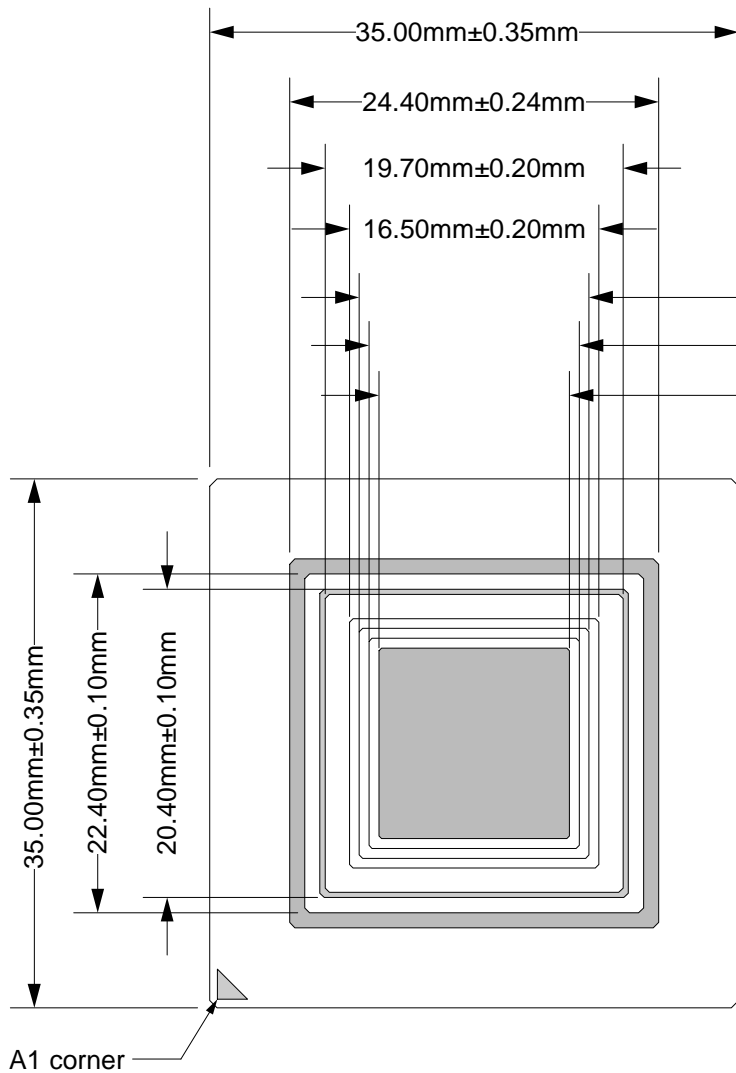
Plating: Gold or Solder finish

DXF DATA WILL BE PROVIDED

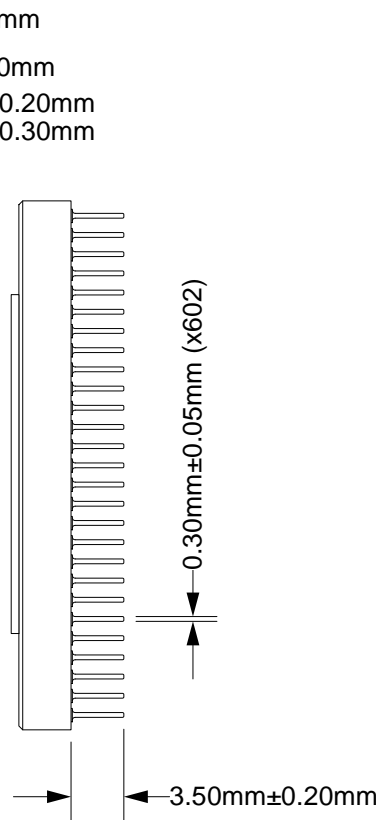
	<b>SS-PGA27/602A-01 Drawing</b>		Status: Released	Scale: 1.25:1	Rev: A
	© 2010 IRONWOOD ELECTRONICS, INC. 11351 Rupp Drive, Suite 400, Burnsville, MN 55337 Tele: (952) 229-8200 www.ironwoodelectronics.com		Drawing: E Smolentseva	Date: 3/4/10	
			File: SS-PGA27/602A-01 Dwg	Modified:	

Recommended PCB Layout Tolerances:  
 ±0.025mm [±0.001"] unless stated otherwise.

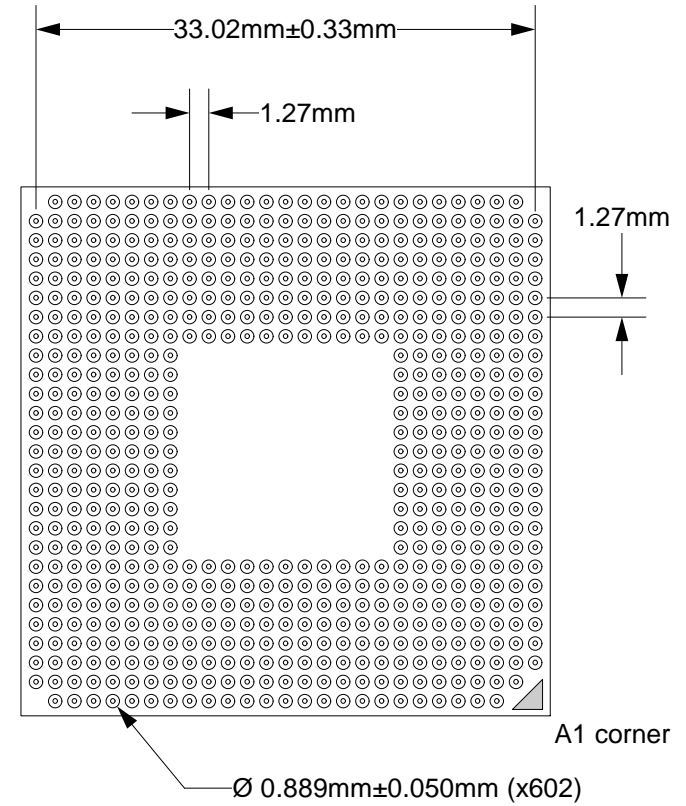
# Compatible IC Spec




Top View

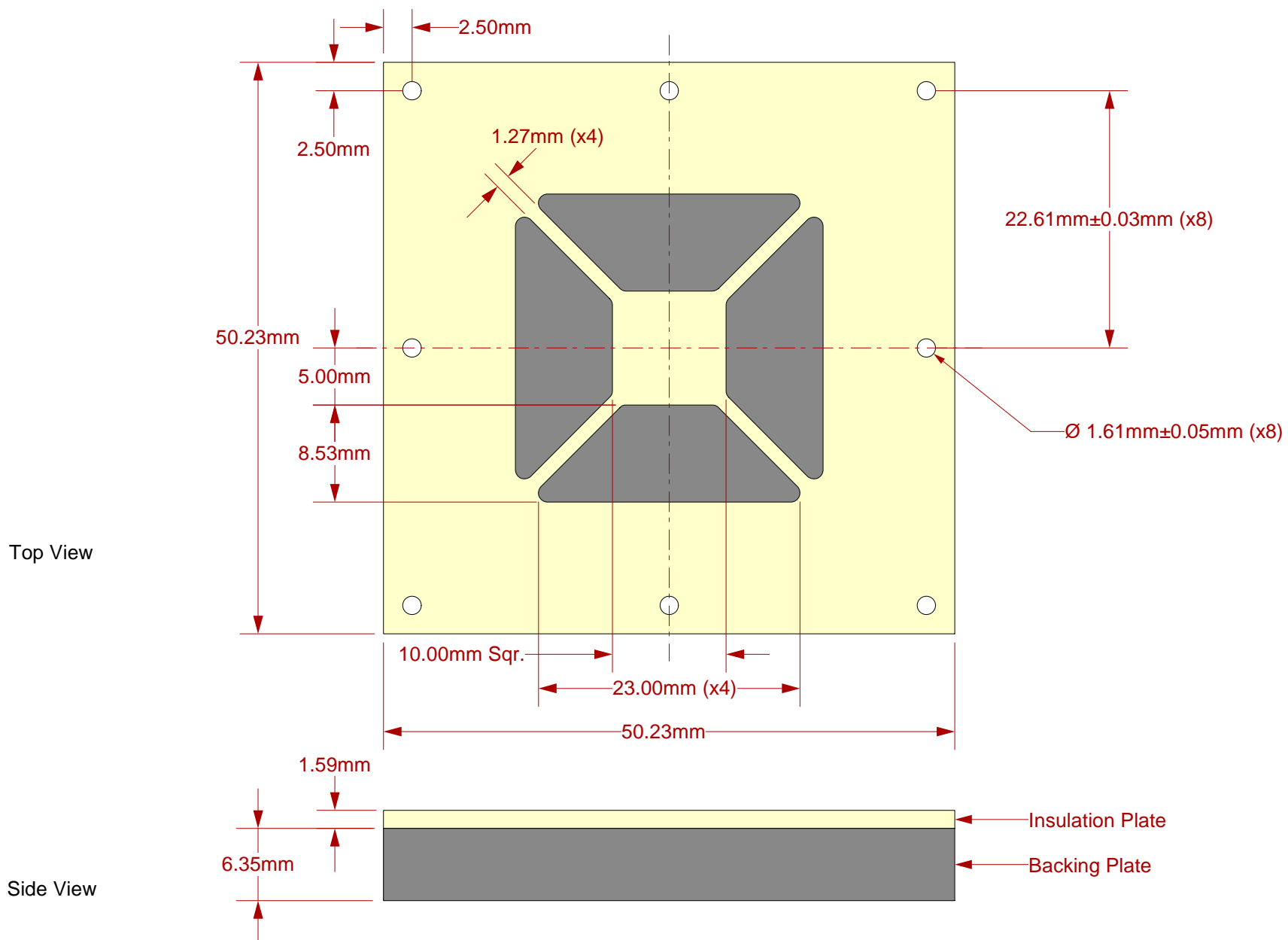


Side View




Bottom View

 <p>© 2010 IRONWOOD ELECTRONICS, INC. 11351 Rupp Drive, Suite 400, Burnsville, MN 55337 Tele: (952) 229-8200 www.ironwoodelectronics.com</p>	<b>SS-PGA27/602A-01 Drawing</b>		Status: Released	Scale: 1.25:1	Rev: A
	Drawing: E Smolentseva			Date: 3/4/10	
	File: SS-PGA27/602A-01 Dwg			Modified:	



Description: Backing Plate with Insulation Plate

PAGE 4 of 4

	<b>SS-PGA27/602A-01 Drawing</b>	Status: Released	Scale: 1.25:1	Rev: A
	© 2010 IRONWOOD ELECTRONICS, INC. 11351 Rupp Drive, Suite 400, Burnsville, MN 55337 Tele: (952) 229-8200 www.ironwoodelectronics.com	Drawing: E Smolentseva		Date: 3/4/10
		File: SS-PGA27/602A-01 Dwg	Modified:	

All dimensions are in mm.  
 All tolerances are +/- 0.125mm.  
 (Unless stated otherwise)