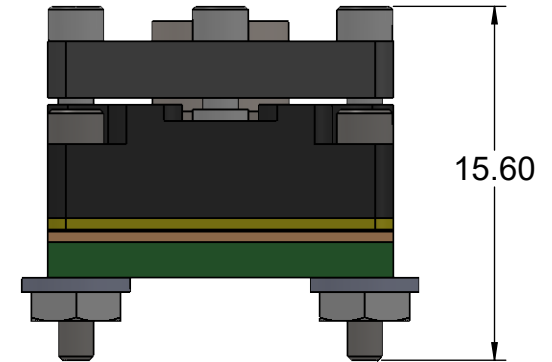
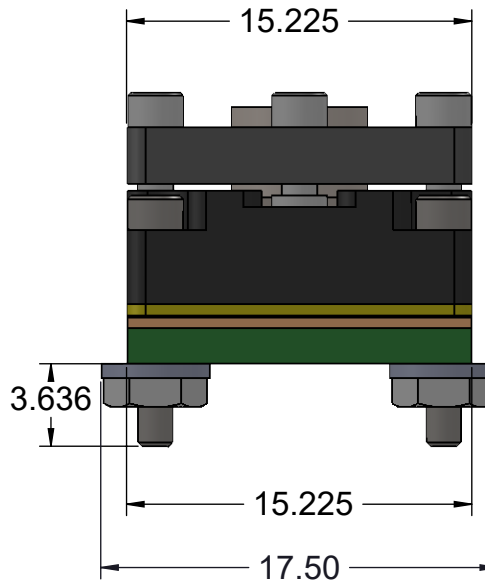
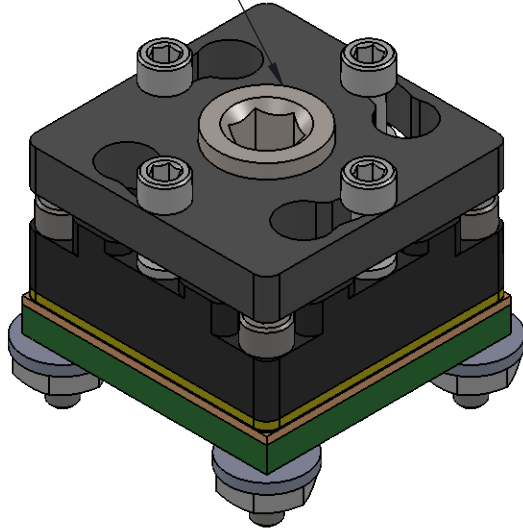


SG-SOIC DIRECT MOUNT, SOLDERLESS SOCKET FOR TEST APPLICATIONS

Features

- Directly mounts to target PCB (needs tooling holes) with hardware
- High speed, reliable Elastomer connection
- Minimum real estate required
- Compression plate distributes forces evenly
- Ball guide prevents over compression of elastomer
- Easily removable swivel socket lid

Required Torque: 0.38 in-lb
Recommended Tool: TL-Torquedriver-09



Description: SG-SOIC socket for SO8A package

Primary dimension units are millimeters, Secondary dimension units are [inches], Weight is in grams.

Tolerances: Hole diameters $\pm 0.03\text{mm}$ [± 0.001 "], Pitches (from true position) $\pm 0.025\text{mm}$ [± 0.001 "], substrate thickness tolerance $\pm 10\%$, all other tolerances $\pm 0.13\text{mm}$ [± 0.005 " unless stated otherwise. Materials and specifications are subject to change without notice.

SG-SOIC-3007 Drawing



©2018 Ironwood Electronics, Inc.
Tele: (800) 404-0204
www.ironwoodelectronics.com

Material: N/A
Finish: N/A
Weight: 6.00

STATUS: Released

ENG: J. Vavra

FILE: SG-SOIC-3007 Dwg

SHEET: 1 OF 4

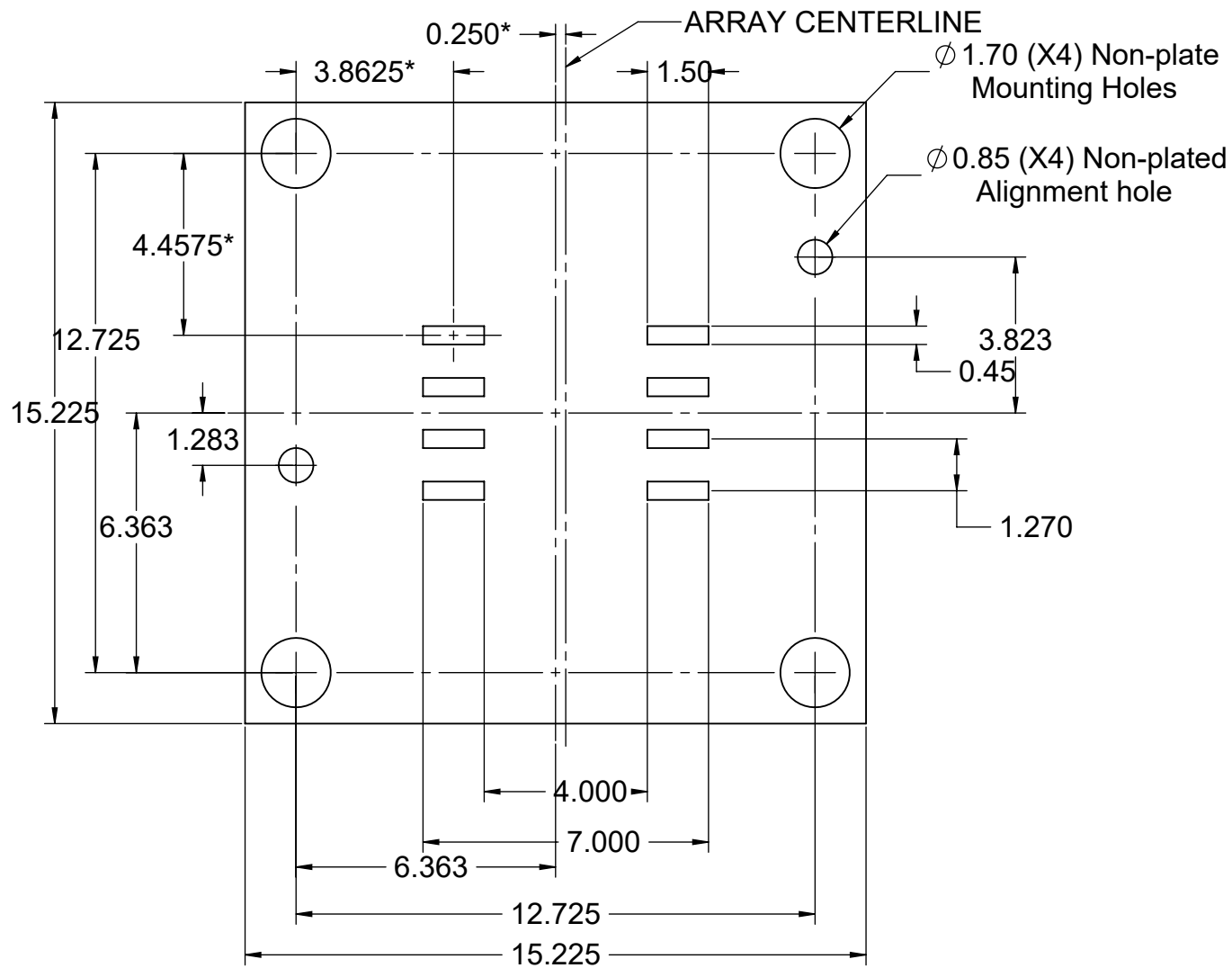
DRAWN BY: M. Raske

DATE: 3/22/2018

REV. A

SCALE: 3:1

*** Note - SOIC land pattern is shifted 0.25mm right of center with respect to the mounting hole pattern.**




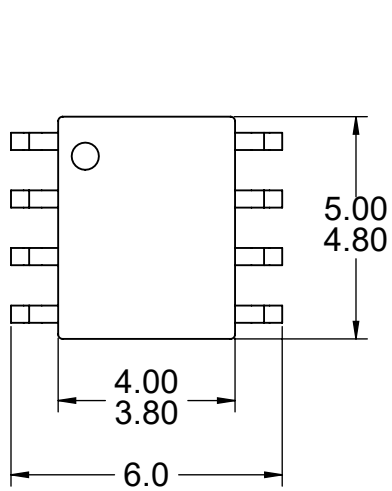
Target PCB Recommendations
 Total thickness: 1.5mm min.
 Plating: Gold or Solder finish

Description: Recommended PCB layout

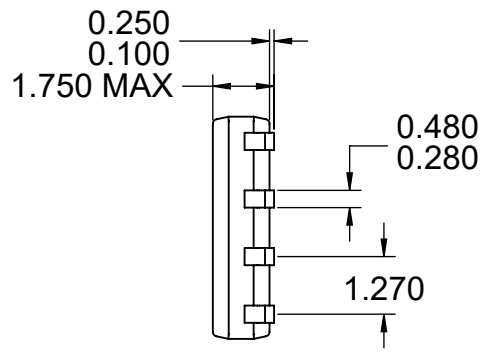
Primary dimension units are millimeters, Secondary dimension units are [inches], Weight is in grams.

Tolerances: Hole diameters $\pm 0.0254\text{mm}$ [$\pm 0.001"$], Pitches (from true position) $\pm 0.0762\text{mm}$ [$\pm 0.003"$], substrate thickness tolerance $\pm 10\%$, all other tolerances $\pm 0.127\text{mm}$ [$\pm 0.005"$] unless stated otherwise. Materials and specifications are subject to change without notice.

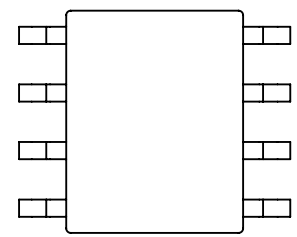
 SG-SOIC-3007 Drawing ©2018 Ironwood Electronics, Inc. Tele: (800) 404-0204 www.ironwoodelectronics.com	Material: N/A Finish: N/A Weight: 6.00	STATUS: Released ENG: J. Vavra FILE: SG-SOIC-3007 Dwg	SHEET: 2 OF 4 DRAWN BY: M. Raske DATE: 3/22/2018	REV. A SCALE: 6:1



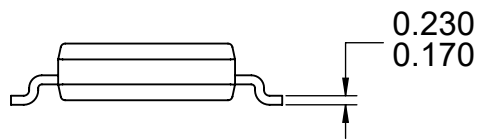
TOP VIEW



SIDE VIEW



BOTTOM VIEW




FRONT VIEW

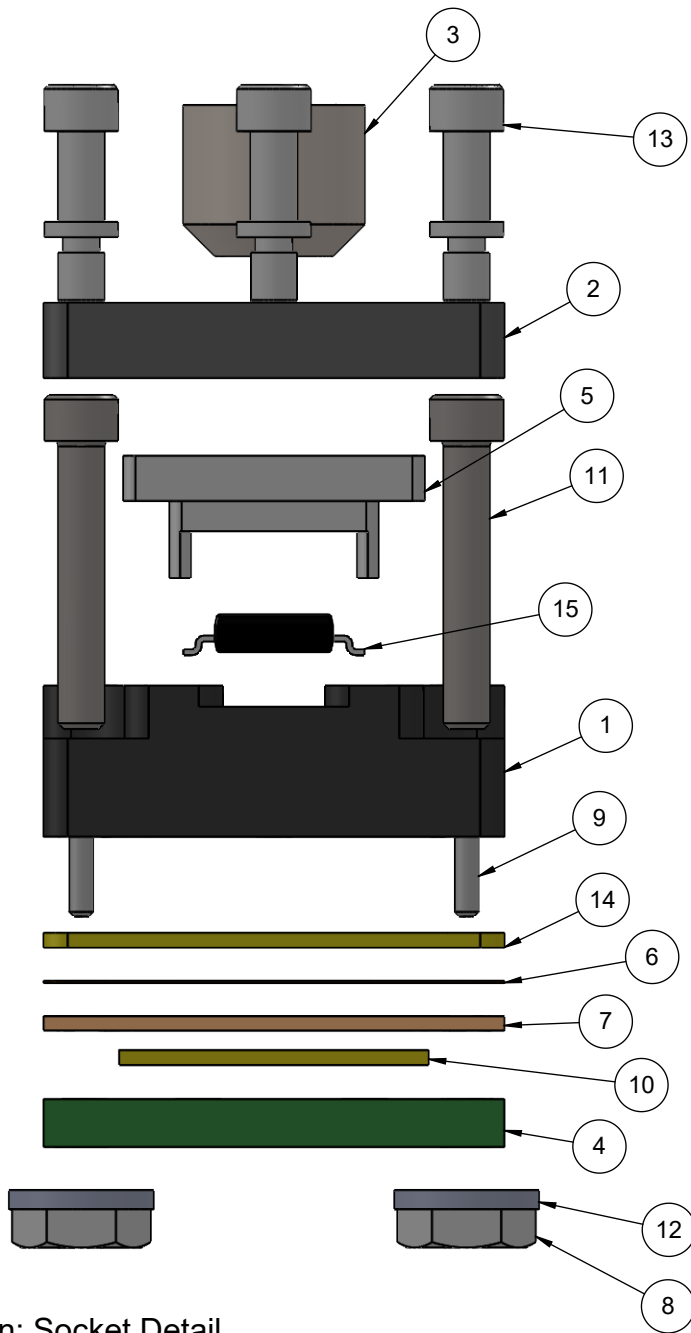
Ironwood Package Code: SO8A

Description: Compatible IC

Primary dimension units are millimeters, Secondary dimension units are [inches], Weight is in grams.

Tolerances: Hole diameters $\pm 0.0254\text{mm}$ [$\pm 0.001"$], Pitches (from true position) $\pm 0.0762\text{mm}$ [$\pm 0.003"$], substrate thickness tolerance $\pm 10\%$, all other tolerances $\pm 0.127\text{mm}$ [$\pm 0.005"$] unless stated otherwise. Materials and specifications are subject to change without notice.

 <p>©2018 Ironwood Electronics, Inc. Tele: (800) 404-0204 www.ironwoodelectronics.com</p>	<p>SG-SOIC-3007 Drawing</p>	<p>Material: N/A Finish: N/A Weight: 6.00</p>	<p>STATUS: Released</p>	<p>SHEET: 3 OF 4</p>	<p>REV. A</p>
			<p>ENG: J. Vavra</p>	<p>DRAWN BY: M. Raske</p>	<p>SCALE: 6:1</p>
			<p>FILE: SG-SOIC-3007 Dwg</p>	<p>DATE: 3/22/2018</p>	




ITEM NO.	DESCRIPTION	Material
1	Socket Base	7075-T6 Aluminum Alloy
2	Socket Lid	7075-T6 Aluminum Alloy
3	Compression Screw M6x1	Stainless Steel (18-8)
4	Test PCB for SO8A	FR4 Standard
5	Compression Plate for SO8A	PEEK Ceramic filled
6	Lead Guide for SO8A	Kapton Polyimide/Cirlex
7	Elastomer Guide 10x10mm	Ultem
8	Nut, #0-80, SS	Stainless Steel (18-8)
9	Dowel Pin, 1/32" x 3/16", SS	Chrome Stainless Steel
10	0.5mm thick, 0.05x 0.05mm pitch, 10mm sqr, Z-axis conductive angled elastomer	20 Micron dia gold plated brass filaments arranged symetrically in a silicon rubber (63.5 degree angle), Thickness: 0.5mm
11	#0-80 X .375 LG, SOC HD CAP SCREW, ALLOY STL, BLK OXIDE	Alloy Steel
12	Washer, #0 x .025", Nylon	Nylon 6/6
13	#0-80 Shoulder Screw, 1.59mm thread length	Stainless Steel (303)
14	IC Guide For SO8A	Torlon 4203
15	8-Pin PLASTIC SMALL-OUTLINE PACKAGE 4.9x3.9 mm Nominal Footprint	Material <not specified>

Description: Socket Detail

Primary dimension units are millimeters, Secondary dimension units are [inches], Weight is in grams.

Tolerances: Hole diameters $\pm 0.0254\text{mm}$ [$\pm 0.001"$]. Pitches (from true position) $\pm 0.0762\text{mm}$ [$\pm 0.003"$], substrate thickness tolerance $\pm 10\%$, all other tolerances $\pm 0.127\text{mm}$ [$\pm 0.005"$] unless stated otherwise. Materials and specifications are subject to change without notice.

 SG-SOIC-3007 Drawing ©2018 Ironwood Electronics, Inc. Tele: (800) 404-0204 www.ironwoodelectronics.com	Material: N/A Finish: N/A Weight: 6.00	STATUS: Released ENG: J. Vavra FILE: SG-SOIC-3007 Dwg	SHEET: 4 OF 4 DRAWN BY: M. Raske DATE: 3/22/2018	REV. A SCALE: 3:1