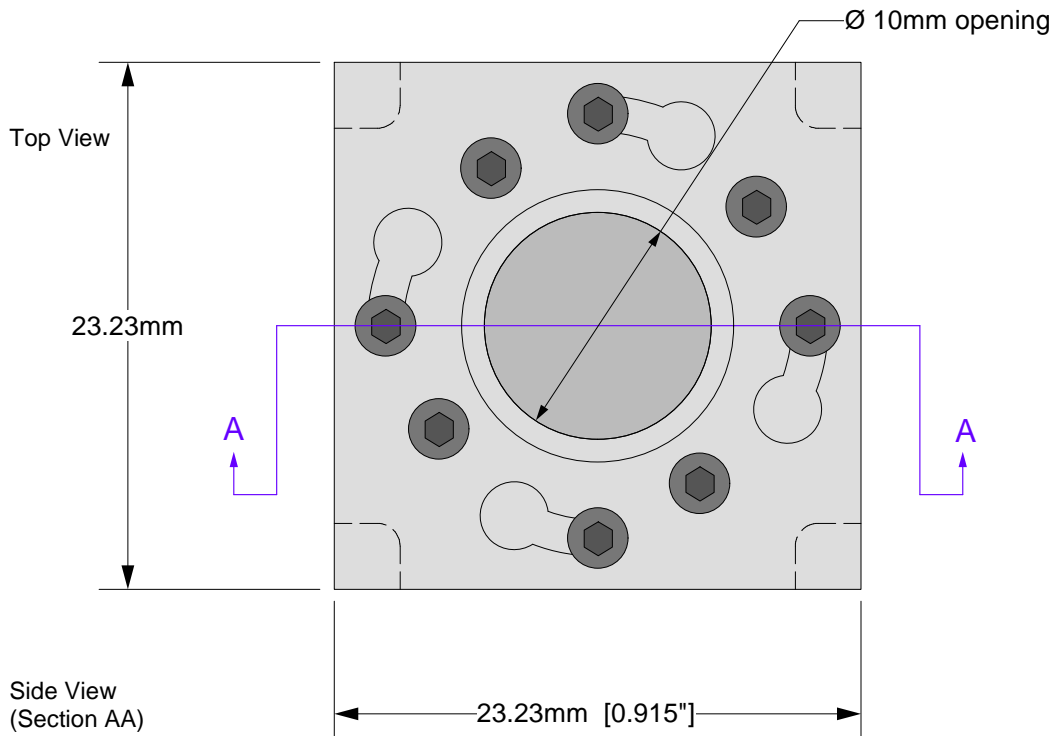
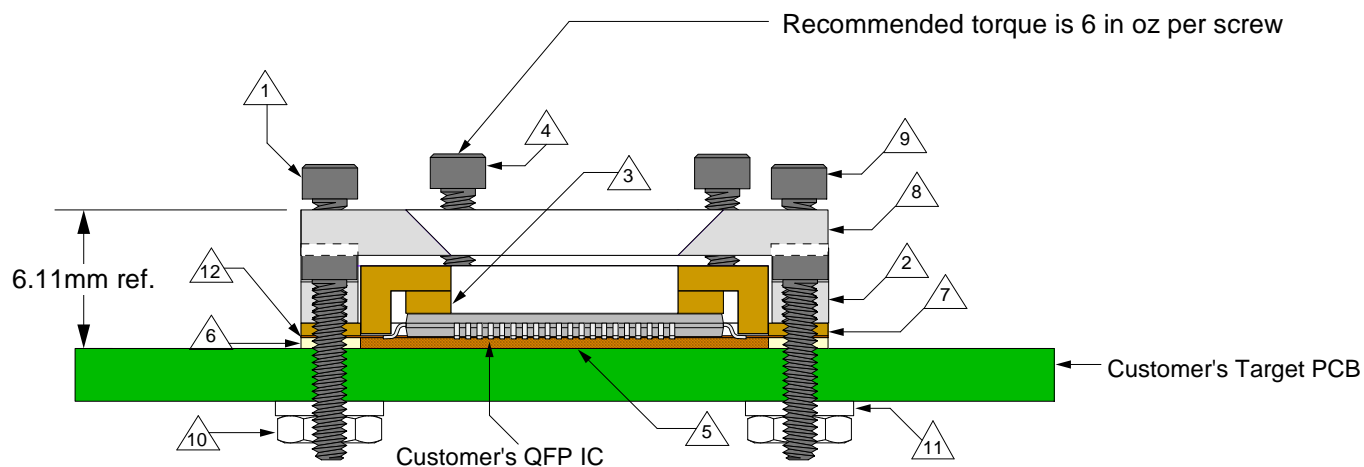


# GHz QFP100 Socket - Direct mount, solderless



## Features

- Directly mounts to target PCB (needs tooling holes) with hardware.
- High speed, reliable Elastomer connection
- Minimum real estate required
- Compression plate distributes forces evenly
- Easily removable swivel socket lid



- △ 1 Socket Lid: Black anodized Aluminum. Thickness = 2.0mm.
- △ 2 Socket base: Black anodized Aluminum. Thickness = 3mm.
- △ 3 Compression Plate: Ultem 1000
- △ 4 Compression screw: Black anodized Aluminum.
- △ 5 Elastomer: 20 micron dia gold plated brass filaments arranged symmetrically in a silicone rubber (63.5 degree angle). Thickness = 0.5mm.
- △ 6 Elastomer Guide: Non-clad FR4. Thickness = 0.475mm.
- △ 7 IC Guide: Ultem 1000
- △ 8 Socket base screw: Socket head cap, alloy steel with black oxide finish, 0-80 fine thread, 7.94 mm long.
- △ 9 Socket lid screw: Shoulder screw, 18-8 SS, 0-80 fine thread.
- △ 10 Socket base nut: 18-8 Stainless steel, 0-80 fine thread.
- △ 11 Nylon washer: 1.73mm ID; 4.78mm OD 0.64mm thickness.
- △ 12 Lead Guide: Kapton Polyamide 0.003" thick

## SG-QFE-7002 Drawing

© 2009 IRONWOOD ELECTRONICS, INC.  
11351 Rupp Drive, Suite 400, Burnsville, MN 55337  
Tele: (800) 404-0204  
www.ironwoodelectronics.com

Status: Released

Scale: -

Rev: C

Drawing: J. Glab

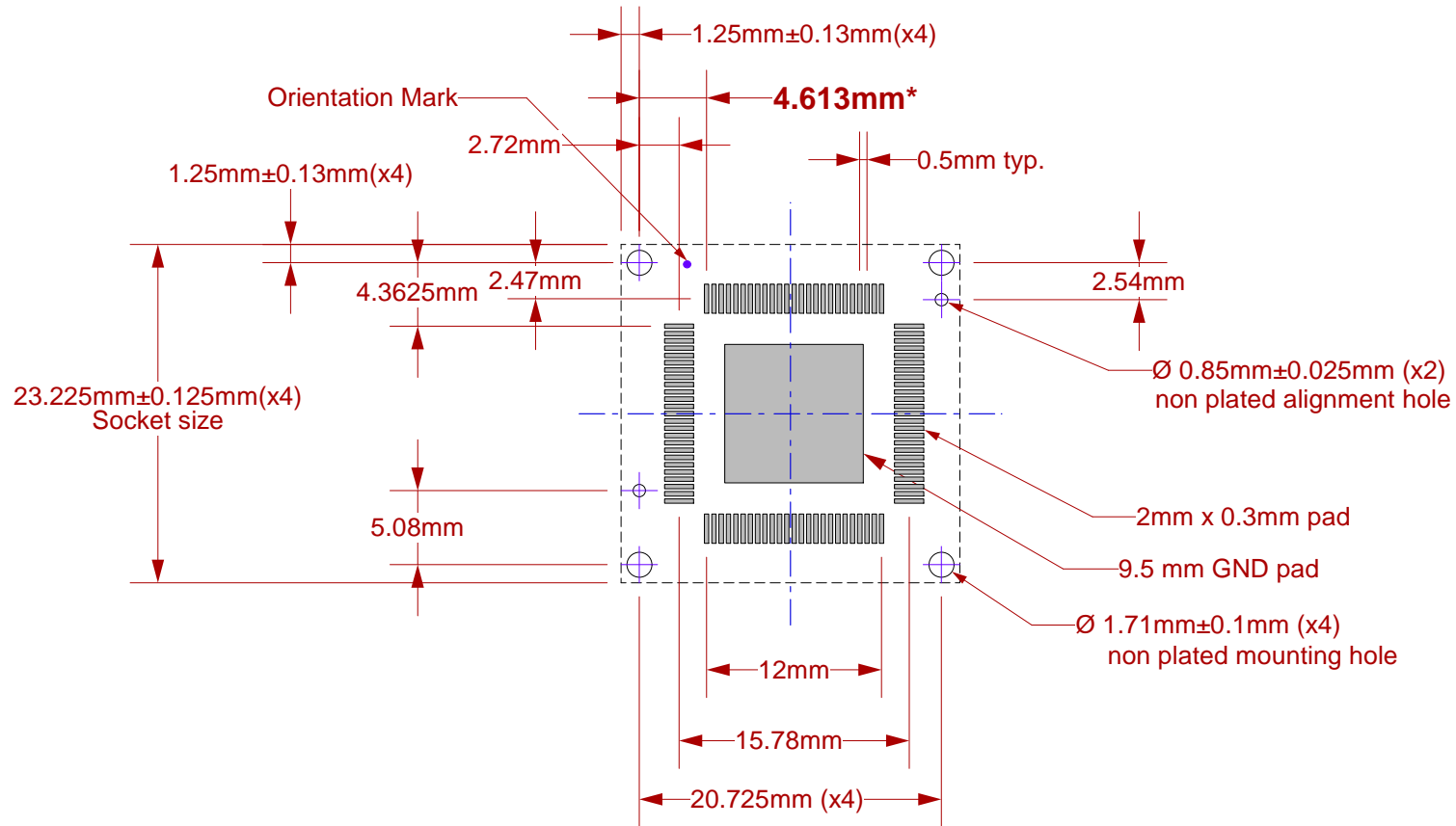
Date: 02/19/08

File: SG-QFE-7002 Dwg

Modified: 5/7/10

All tolerances: ±0.125mm (unless stated otherwise). Materials and specifications are subject to change without notice.

**\*Note: QFP pattern is not symmetrical with respect to the mounting holes. It is shifted by 0.25mm to the right.**




Target PCB Recommendations

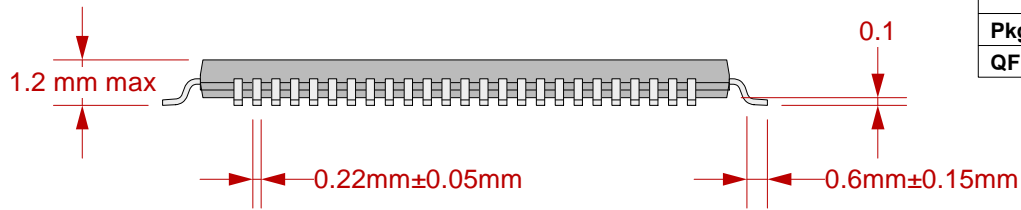
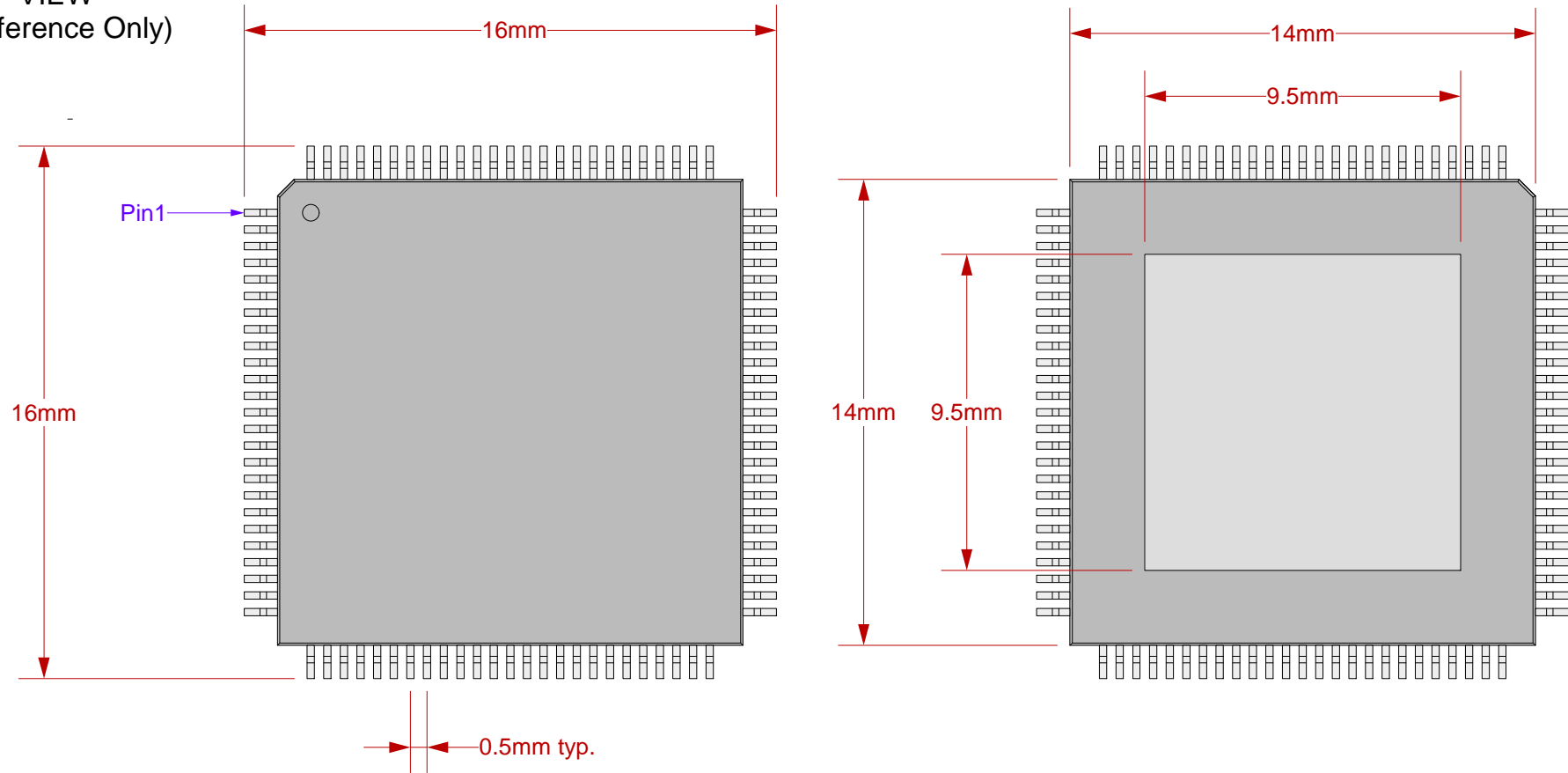
Total thickness: 1.6mm min.  
Plating: Gold or Solder finish  
PCB Pad height: Same or higher than solder mask

NOTE: Steel backing plate may be required based on end user's application

Recommended PCB Layout Tolerances: ±0.025mm [±0.001"] unless stated otherwise.


	<b>SG-QFE-7002 Drawing</b>	Status: Released	Scale: -	Rev: C
	© 2009 IRONWOOD ELECTRONICS, INC. 11351 Rupp Drive, Suite 400, Burnsville, MN 55337 Tele: (800) 404-0204 www.ironwoodelectronics.com	Drawing: J. Glab		Date: 02/19/08
		File: SG-QFE-7002 Dwg	Modified: 5/7/10	

TOP VIEW  
(Reference Only)



Side View

Ironwood Package codes accommodated					
Pkg. Code	Pins	Pitch	Body Size	Tip to tip	foot length
QFE100SE	100	0.5mm	14mm x 14mm	16mm x 16mm	0.6mm

	<b>SG-QFE-7002 Drawing</b> © 2009 IRONWOOD ELECTRONICS, INC. 11351 Rupp Drive, Suite 400, Burnsville, MN 55337 Tele: (800) 404-0204 www.ironwoodelectronics.com	Status: Released	Scale: -	Rev: C
		Drawing: J. Glab	Date: 02/19/08	
		File: SG-QFE-7002 Dwg	Modified: 5/7/10	