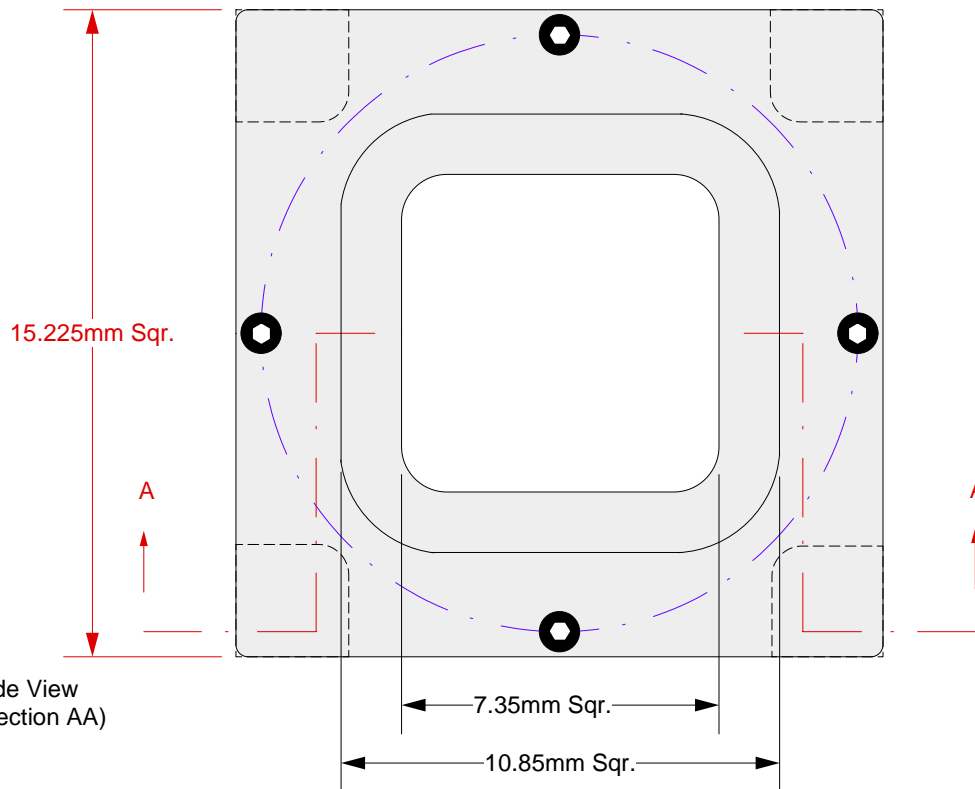
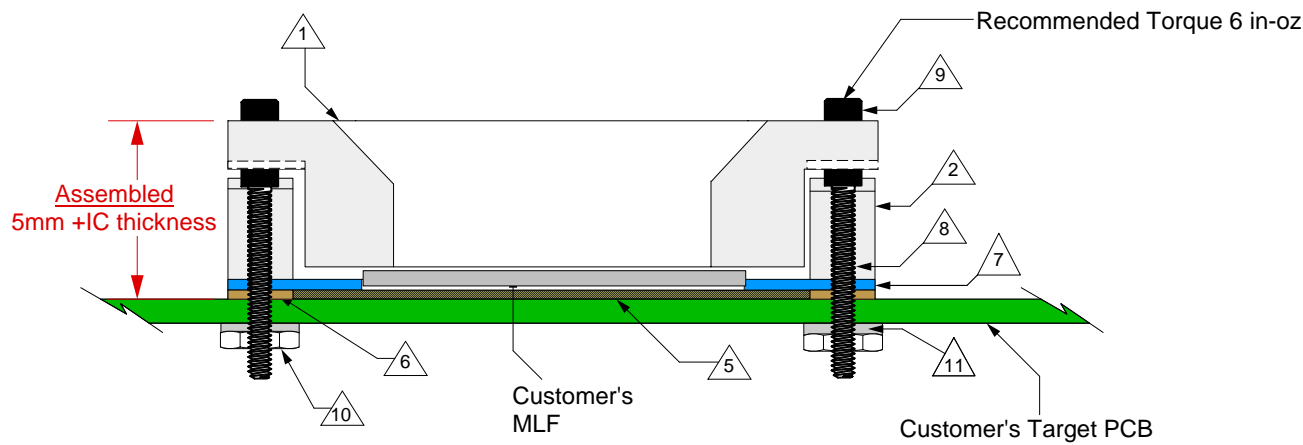


Top View



Side View
(Section AA)



GHz MLF Socket - Direct mount, solderless

Features

- Directly mounts to target PCB (needs tooling holes) with hardware.
- High speed, reliable Elastomer connection
- Minimum real estate required
- Compression plate distributes forces evenly
- IC guide prevents over compression of elastomer
- Easily removable swivel socket lid

- △ 1 Socket Lid: Black anodized Aluminum.
Thickness = 4.725mm.
- △ 2 Socket base: Black anodized Aluminum.
Thickness = 3mm.
- △ 5 Elastomer: 20 micron dia gold plated brass filaments arranged symmetrically in a silicone rubber (63.5 degree angle).
Thickness = 0.5mm.
- △ 6 Elastomer Guide: Cirlex
Thickness = 0.475mm.
- △ 7 IC (MLF) Guide: Ultem1000
- △ 8 Socket base screw: Socket head cap, Alloy steel with black oxide finish, 0-80 fine thread, 7.94mm long.
- △ 9 Socket lid screw: Socket head cap, Alloy steel with black oxide finish, 0-80 fine thread, 4.76mm long.
- △ 10 Socket base nut: 18-8 Stainless steel, 0-80 fine thread.
- △ 11 Nylon washer: 1.73mm ID; 4.78mm OD
0.64mm thickness.

SG-MLF-7024 Drawing

© 2007 IRONWOOD ELECTRONICS, INC.
11351 Rupp Drive, Suite 400, Burnsville, MN 55337
Tele: (952) 229-8200
www.ironwoodelectronics.com

Status: Released

Scale: -

Rev: A

Drawing: J. Glab

Date: 6/28/07

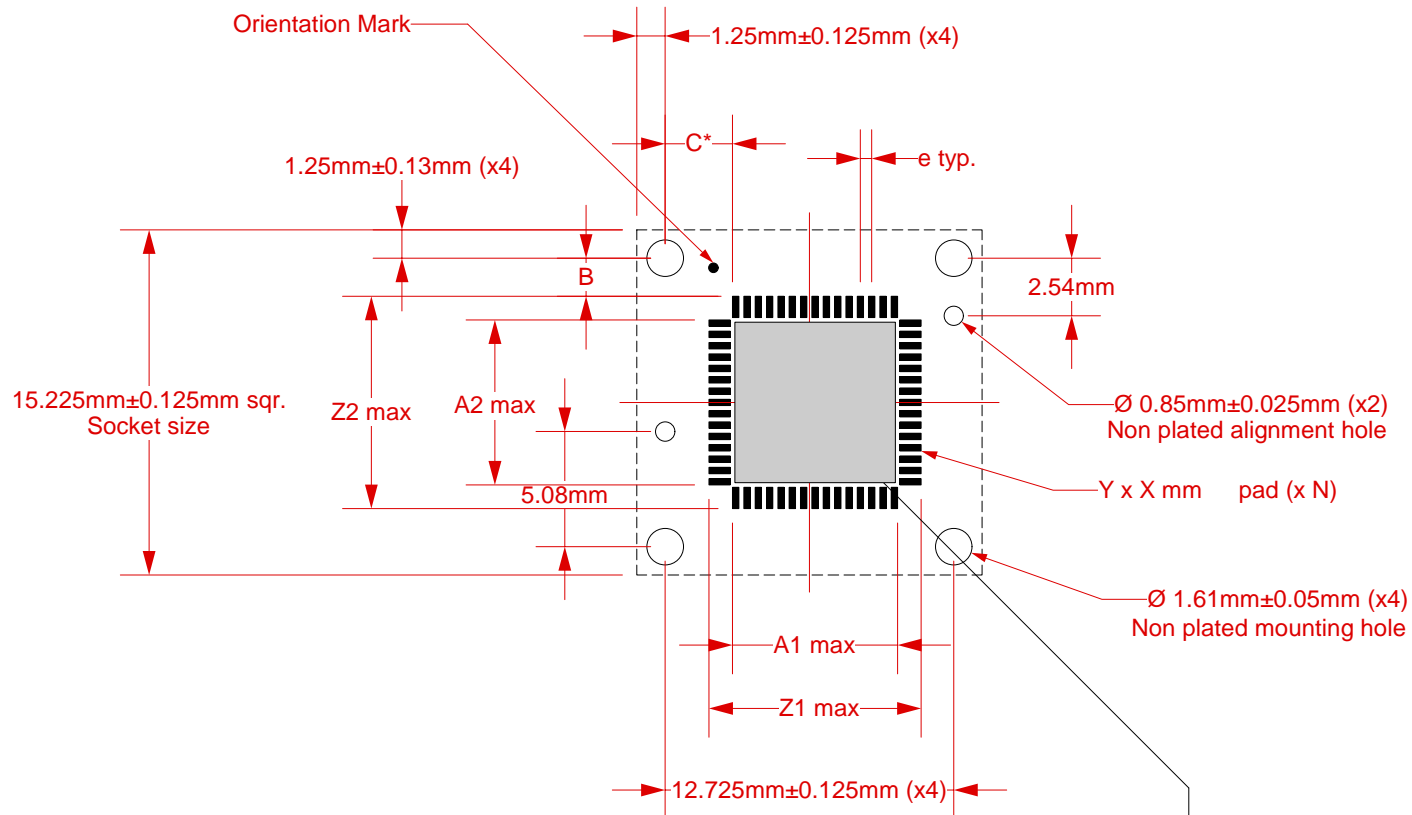
File: SG-MLF-7024 Dwg.mcd

Modified:

All tolerances: ± 0.125 mm (unless stated otherwise). Materials and specifications are subject to change without notice.

Recommended PCB Layout
Top View

***Note: MLF pattern is not symmetrical with respect to the mounting holes. It is offset 0.25mm to the right of center.**



Target PCB Recommendations


Total thickness: 1.6mm min.

Plating: Gold or Solder finish

PCB Pad height: Same or higher than solder mask

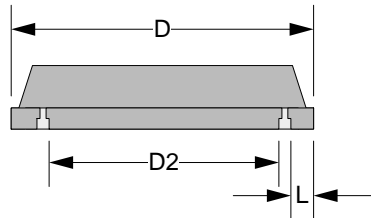
NOTE: Steel backing plate may be required based on end user's application

**** To effectively conduct heat away from the package a thermal pad is recommended with vias spaced 1.0 to 1.2 mm pitch and a diameter of 0.3 to 0.33 mm. Ideally 1 via for every 3 leads has been shown to work well.

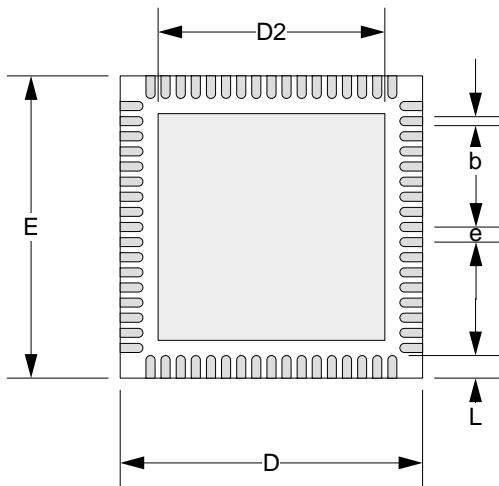
 <p>© 2007 IRONWOOD ELECTRONICS, INC. 11351 Rupp Drive, Suite 400, Burnsville, MN 55337 Tele: (952) 229-8200 www.ironwoodelectronics.com</p>	<p>SG-MLF-7024 Drawing</p>	<p>Status: Released</p>	<p>Scale: -</p>	<p>Rev: A</p>
	<p>Drawing: J. Glab</p>	<p>Date: 6/28/07</p>		
	<p>File: SG-MLF-7024 Dwg.mcd</p>	<p>Modified:</p>		


Package Code	C	B	Z1max	A1max	Z2max	A2 min	e	X	Y	N	Thermal Pad Recommendations
MLF76A	2.89	1.68	9.36	7.45	9.36	7.45	0.4	0.25	0.96	76	6.84 x 6.84
MLF60A	2.97	1.68	9.36	7.28	9.36	7.28	0.5	0.28	0.94	60	7.08 x 7.08
MLF64A	2.72	1.68	9.36	7.78	9.36	7.78	0.5	0.28	0.69	64	7.58 x 7.58
MLF48A	2.81	1.45	9.82	7.6	9.82	7.6	0.65	0.45	1.06	48	7.5 x 7.5
MLF44C	3.18	1.68	9.36	6.87	9.36	6.87	0.65	0.37	1.06	44	6.84 x 6.84
MLF36B	3.2	1.68	9.36	6.82	9.36	6.82	0.8	0.42	1.06	36	6.84 x 6.84

All dimensions are in mm.



Package Code	e	D min	D max	E min	E max	b min	b max	L min	L max	D2	N
MLF76A	0.4	8.85	9.15	8.85	9.15	0.15	0.25	0.4	0.6	5.45	76
MLF60A	0.5	8.85	9.15	8.85	9.15	0.18	0.3	0.5	0.75	7.18	60
MLF64A	0.5	8.85	9.15	8.85	9.15	0.18	0.3	0.3	0.5	7.68	64
MLF48A	0.65	8.90	9.10	8.90	9.10	0.35	0.45	0.35	0.45	7.50	48.00
MLF44C	0.65	8.85	9.15	8.85	9.15	0.23	0.35	0.5	0.75	6.94	44
MLF36B	0.8	8.85	9.15	8.85	9.15	0.28	0.4	0.5	0.75	6.94	36



SG-MLF-7024 Drawing		Status: Released	Scale: -	Rev: A
 <p>© 2007 IRONWOOD ELECTRONICS, INC. 11351 Rupp Drive, Suite 400, Burnsville, MN 55337 Tele: (952) 229-8200 www.ironwoodelectronics.com</p>	Drawing: J. Glab		Date: 6/28/07	
	File: SG-MLF-7024 Dwg.mcd		Modified:	