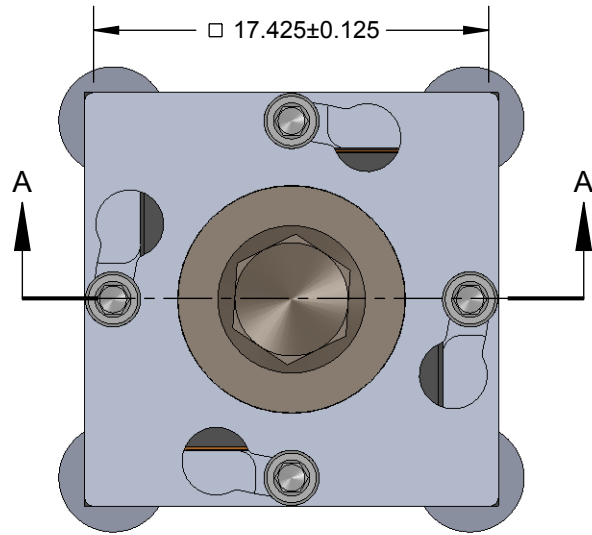


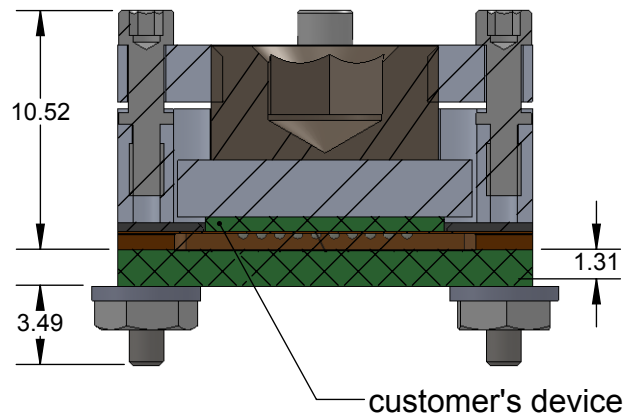
GHz BGA Socket - Direct mount, solderless

Features

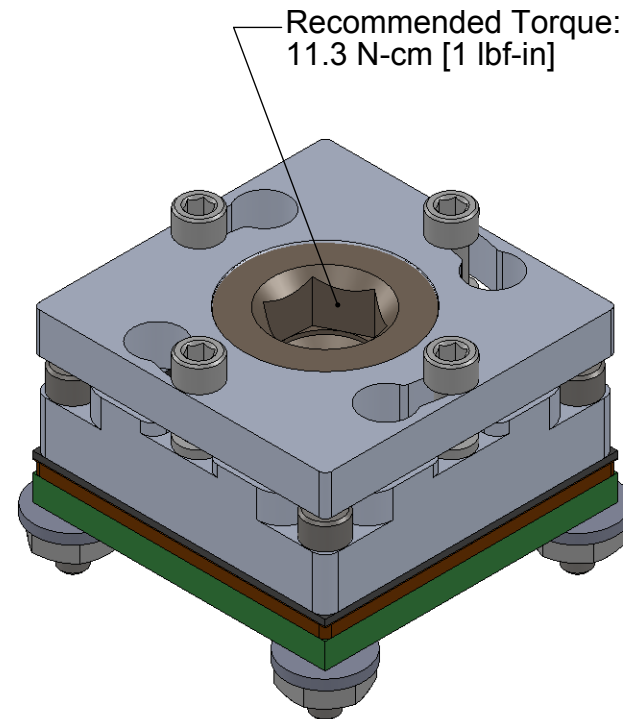
- Directly mounts to target PCB.
- High speed, reliable Elastomer connection
- Minimum real estate required
- Compression plate distributes forces evenly
- Easily removable socket lid
- Ball guide prevents over compression of elastomer



TOP VIEW




SECTION A-A



Description: SG-BGA Socket, 10.5x13mm 10x12, 0.8mm pitch

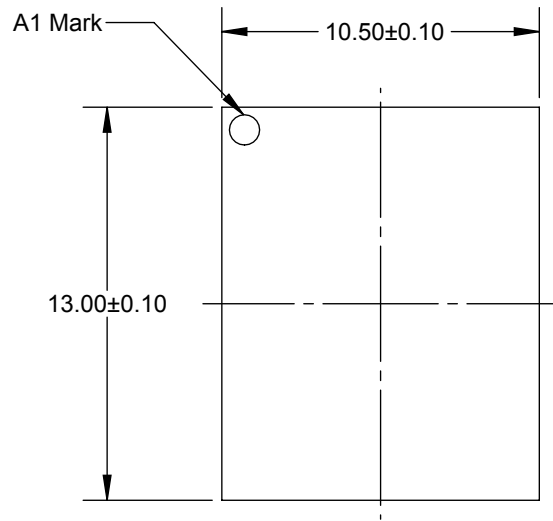
Primary dimension units are millimeters, Secondary dimension units are [inches], Weight is in grams.

Tolerances: Hole diameters $\pm 0.03\text{mm}$ [± 0.001 "], Pitches (from true position) $\pm 0.025\text{mm}$ [± 0.001 "], substrate thickness tolerance $\pm 10\%$, all other tolerances $\pm 0.13\text{mm}$ [± 0.005 "] unless stated otherwise. Materials and specifications are subject to change without notice.

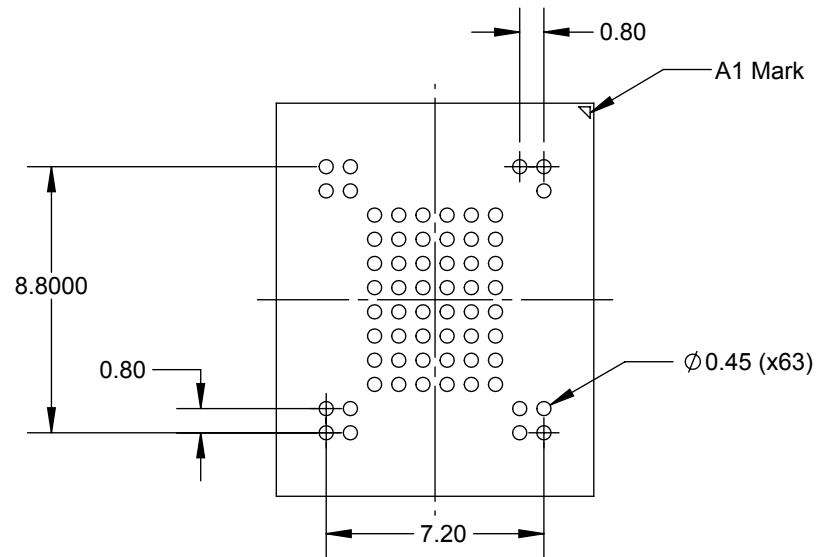
 SG-BGA-6426 Drawing Ironwood Electronics, Inc. Tele: (800) 404-0204 www.ironwoodelectronics.com	Material: N/A Finish: N/A Weight: 8.30	STATUS: Released ENG: E Smolentseva FILE: SG-BGA-6426 Dwg	SHEET: 1 OF 4 DRAWN BY: M. Raske DATE: 02/25/15	REV. A SCALE: 3:1

Compatible BGA Spec

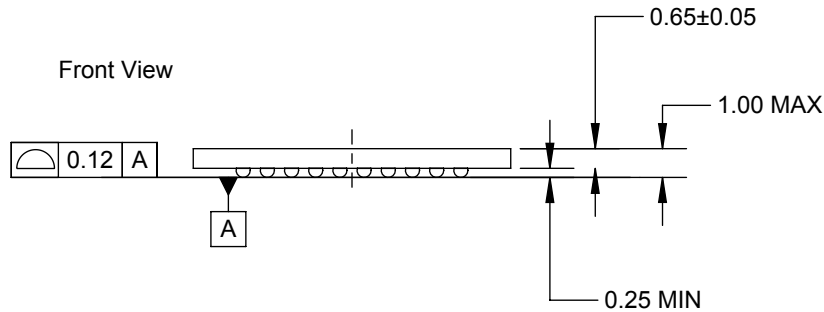
Ironwood package code BGA63G



Top View



Bottom View




Front View

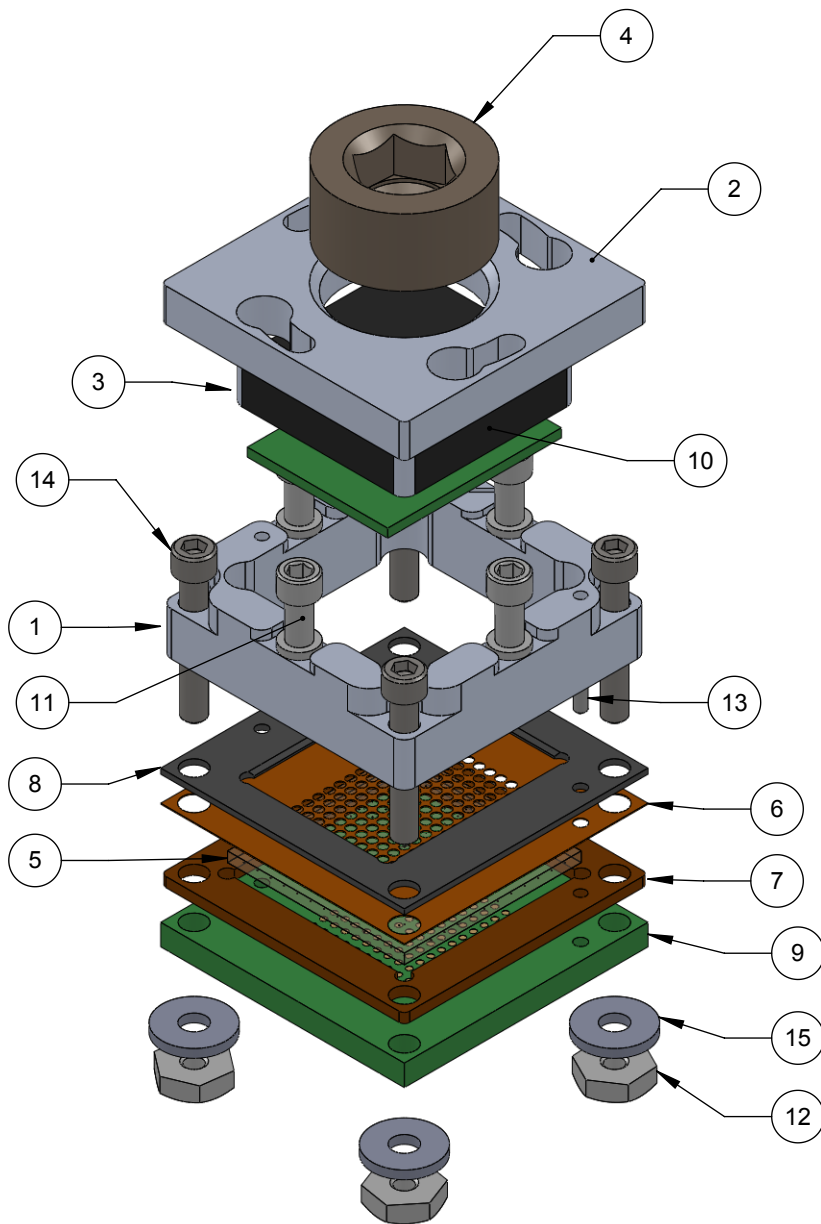
1. Dimensions are in millimeters.
2. Interpret dimensions and tolerances per ASME Y14.5-1994.

Description: Compatible BGA

Primary dimension units are millimeters, Secondary dimension units are [inches], Weight is in grams.

Tolerances: Hole diameters ± 0.03 mm [± 0.001 "], Pitches (from true position) ± 0.025 mm [± 0.001 "], substrate thickness tolerance $\pm 10\%$, all other tolerances ± 0.13 mm [± 0.005 " unless stated otherwise. Materials and specifications are subject to change without notice.

 <p>SG-BGA-6426 Drawing Ironwood Electronics, Inc. Tele: (800) 404-0204 www.ironwoodelectronics.com</p>	<p>Material: N/A Finish: N/A Weight: 8.30</p>	<p>STATUS: Released ENG: E Smolentseva FILE: SG-BGA-6426 Dwg</p>	<p>SHEET: 3 OF 4 DRAWN BY: M. Raske DATE: 02/25/15</p>	<p>REV. A SCALE: 4:1</p>




ITEM NO.	Description	Material
1	GHz Socket Base 13mm IC	7075-T6 Aluminum Alloy
2	Socket Lid, 18.225 X 18.225	7075-T6 Aluminum Alloy
3	Compression Plate, 12.95 X 12.95	7075-T6 Aluminum Alloy
4	Compression Screw M10	7075-T6 Alumium Alloy
5	0.75mm thick 0.1mm pitch 63 deg angled elastomer	Silicon Rubber
6	Ball Guide	Kapton Polyimide/Cirlex
7	Elastomer Guide 13x13mm	Kapton Polyimide/Cirlex/Ultem
8	IC Guide for 12.7mm sq DUT.	Torlon 4203
9	Customer's target PCB	FR4 High temp
10	Customer's device	FR4 High temp
11	#0-80 Shoulder Screw, 2.29mm thread length	Stainless Steel (303)
12	Nut, #0-80, SS	Stainless Steel (18-8)
13	Dowel Pin, 1/32" x 3/16", SS	Chrome Stainless Steel
14	#0-80 X .375 LG, SOC HD CAP SCREW, ALLOY STL, BLK OXIDE	Alloy Steel
15	Washer, #0 x .025", Nylon	Nylon 6/6

Description: Socket sub components

Primary dimension units are millimeters, Secondary dimension units are [inches], Weight is in grams.

Tolerances: Hole diameters $\pm 0.03\text{mm}$ [$\pm 0.001"$], Pitches (from true position) $\pm 0.025\text{mm}$ [$\pm 0.001"$], substrate thickness tolerance $\pm 10\%$, all other tolerances $\pm 0.13\text{mm}$ [$\pm 0.005"$] unless stated otherwise. Materials and specifications are subject to change without notice.

 SG-BGA-6426 Drawing Ironwood Electronics, Inc. Tele: (800) 404-0204 www.ironwoodelectronics.com	Material: N/A Finish: N/A Weight: 8.30	STATUS: Released	SHEET: 4 OF 4	REV. A
		ENG: E Smolentseva	DRAWN BY: M. Raske	SCALE: 2.5:1
		FILE: SG-BGA-6426 Dwg	DATE: 02/25/15	