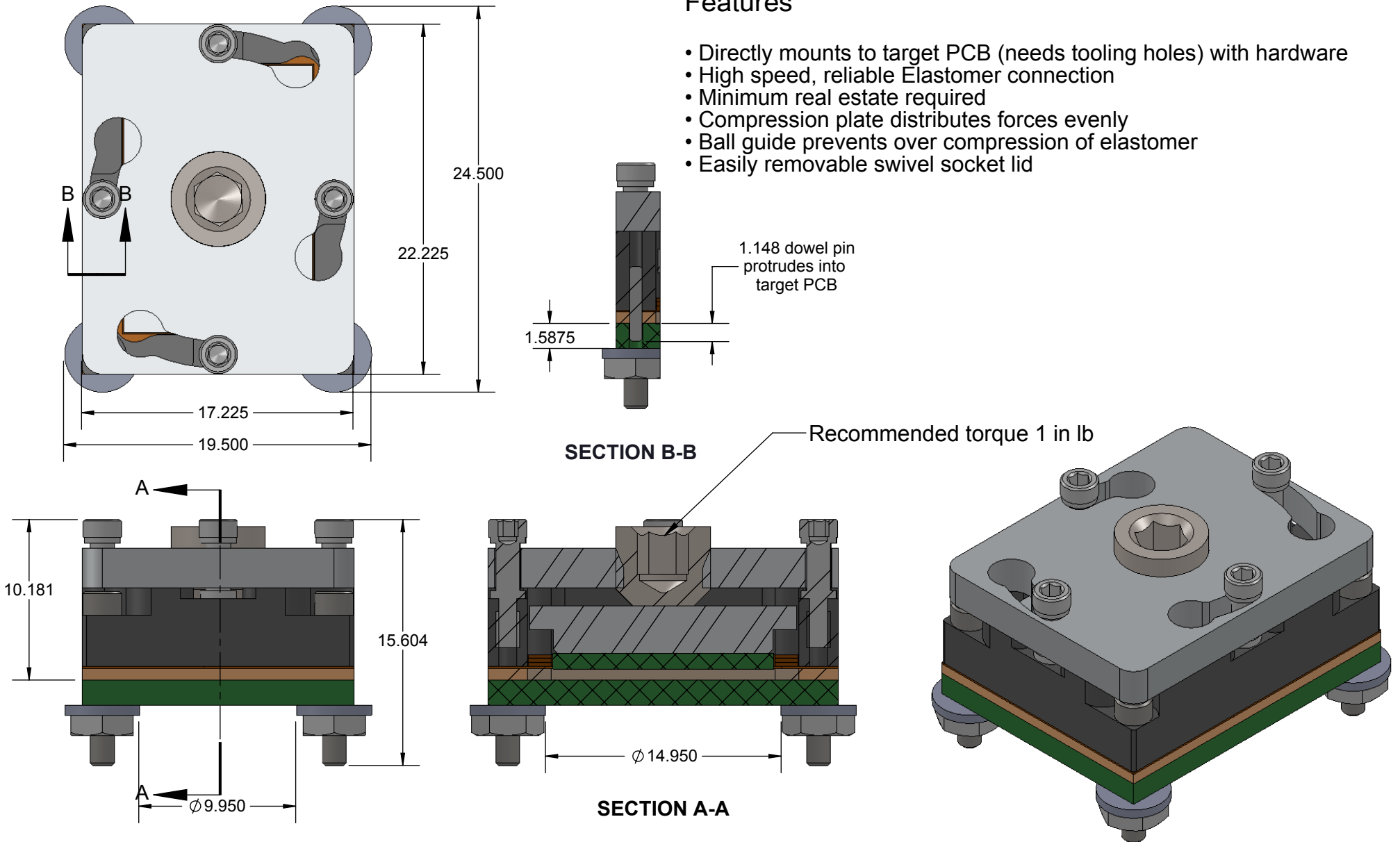


GHz BGA Socket - Direct mount, solderless

Features


- Directly mounts to target PCB (needs tooling holes) with hardware
- High speed, reliable Elastomer connection
- Minimum real estate required
- Compression plate distributes forces evenly
- Ball guide prevents over compression of elastomer
- Easily removable swivel socket lid



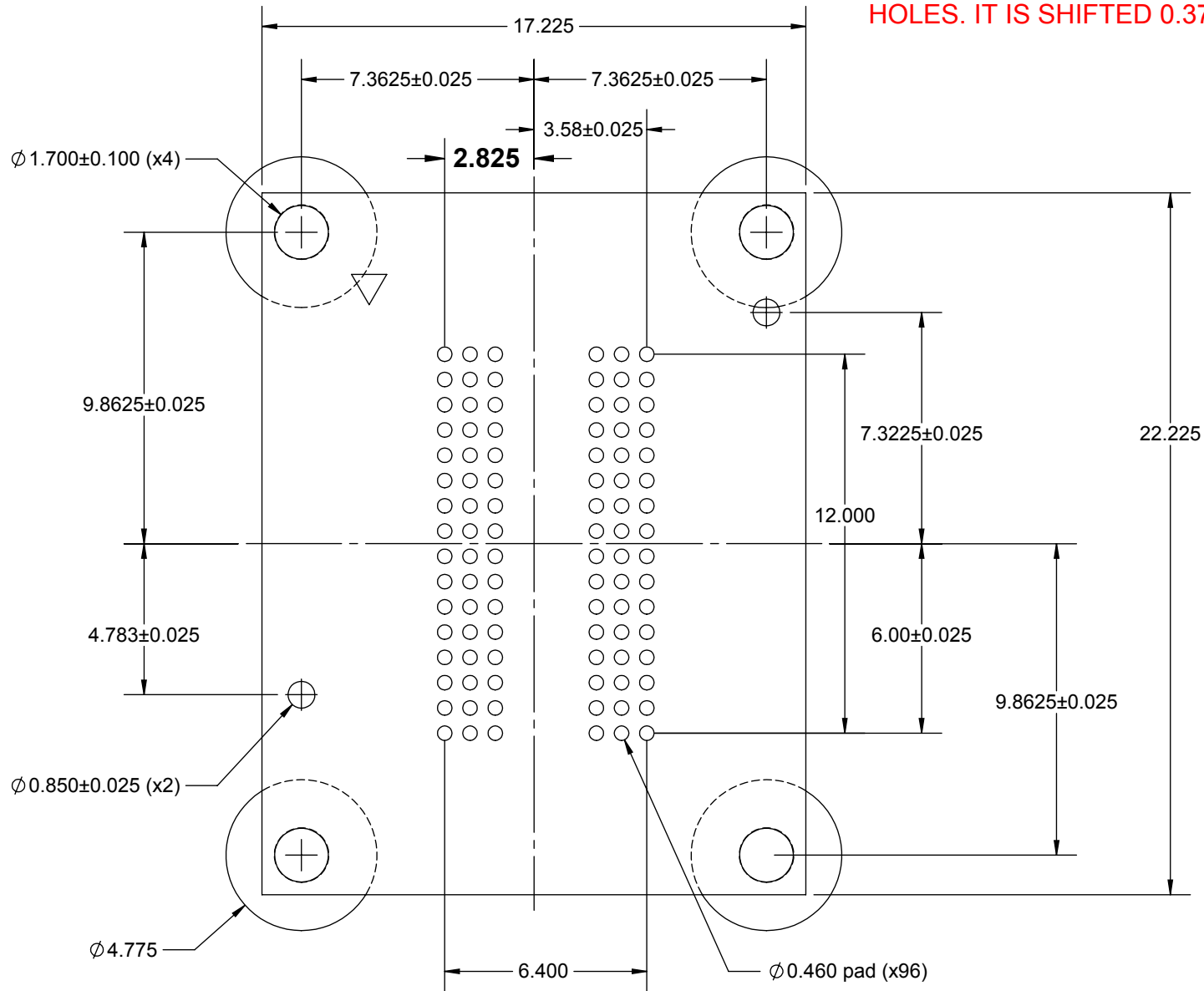
Description: Socket for 9x16 0.8mm pitch BGA96

Primary dimension units are millimeters, Secondary dimension units are [inches], Weight is in grams.

Tolerances: Hole diameters $\pm 0.0254\text{mm}$ [± 0.001 "]. Pitches (from true position) $\pm 0.0762\text{mm}$ [± 0.003 "], substrate thickness tolerance $\pm 10\%$, all other tolerances $\pm 0.127\text{mm}$ [± 0.005 "] unless stated otherwise. Materials and specifications are subject to change without notice.

 SG-BGA-6410 Drawing Ironwood Electronics, Inc. Tele: (800) 404-0204 www.ironwoodelectronics.com	Material: N/A Finish: N/A Weight: 9.80	STATUS: Released ENG: E. Smolentseva FILE: SG-BGA-6410 Dwg	SHEET: 1 OF 7 DRAWN BY: M. Raske DATE: 10/09/2014	REV. A SCALE: 3:1


***NOTE: PADS ARRAY IS NOT SYMMETRIC WITH RESPECT TO THE CENTERLINE OF THE MOUNTING HOLES. IT IS SHIFTED 0.375MM TO THE RIGHT.**

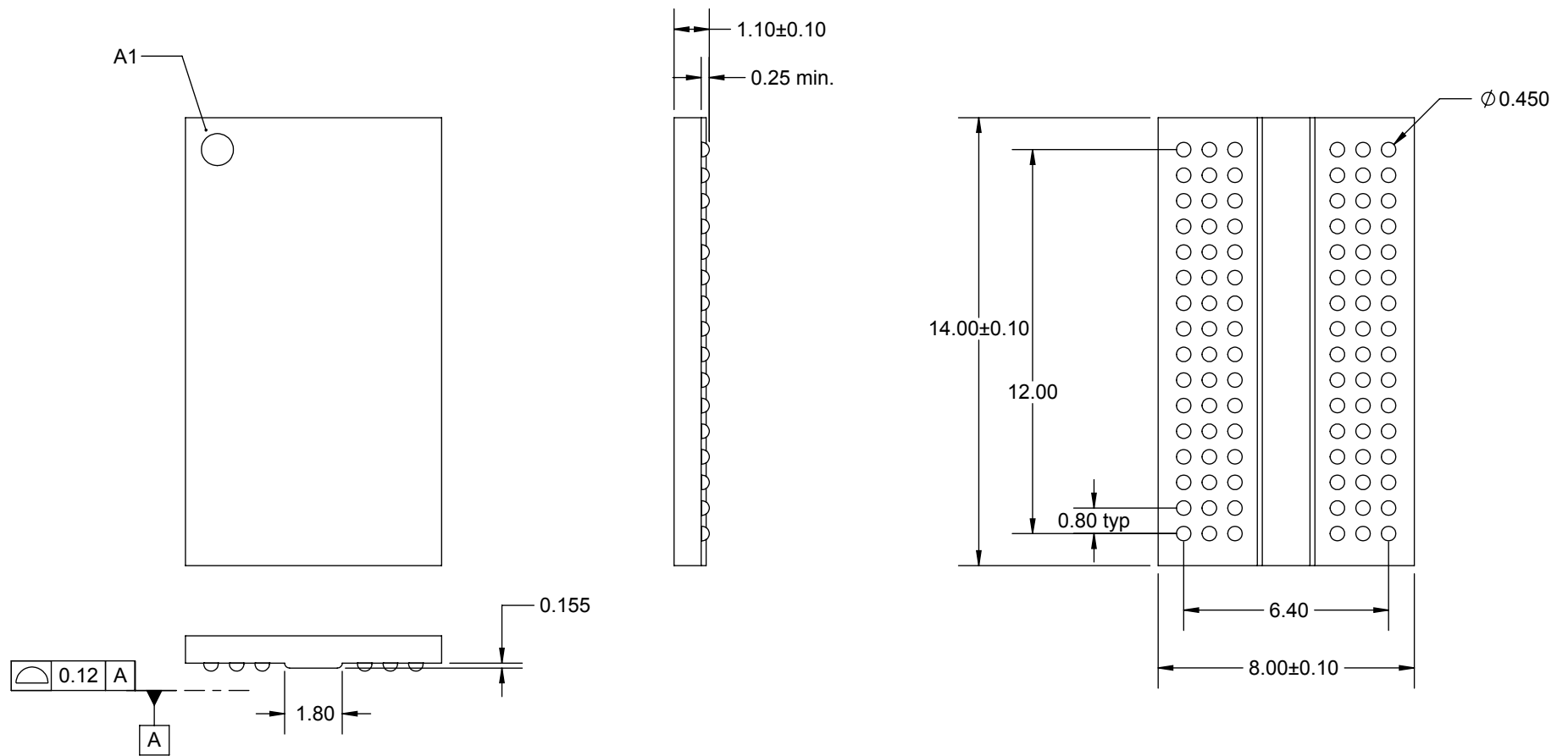


Target PCB Recommendations
 Total thickness: 1.6mm min
 Plating: Gold, Silver or Solder finish
 PCB Pad Height: Same or higher than solder mask

Description: Recommended PCB Layout

Primary dimension units are millimeters, Secondary dimension units are [inches], Weight is in grams.
 Tolerances: Hole diameters $\pm 0.03\text{mm}$ [$\pm 0.001"$], Pitches (from true position) $\pm 0.025\text{mm}$ [$\pm 0.001"$], substrate thickness tolerance $\pm 10\%$, all other tolerances $\pm 0.13\text{mm}$ [$\pm 0.005"$] unless stated otherwise. Materials and specifications are subject to change without notice.

 SG-BGA-6410 Drawing Ironwood Electronics, Inc. Tele: (800) 404-0204 www.ironwoodelectronics.com	Material: N/A Finish: N/A Weight: 9.80	STATUS: Released	SHEET: 2 OF 7	REV. A
		ENG: E. Smolentseva	DRAWN BY: M. Raske	SCALE: 5:1
		FILE: SG-BGA-6410 Dwg	DATE: 10/09/2014	




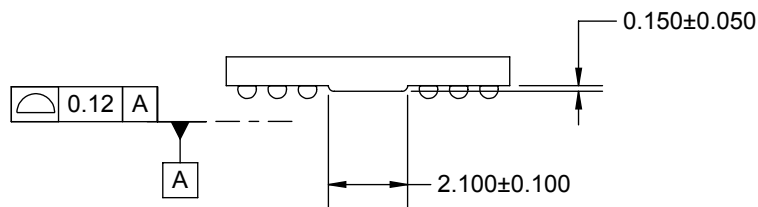
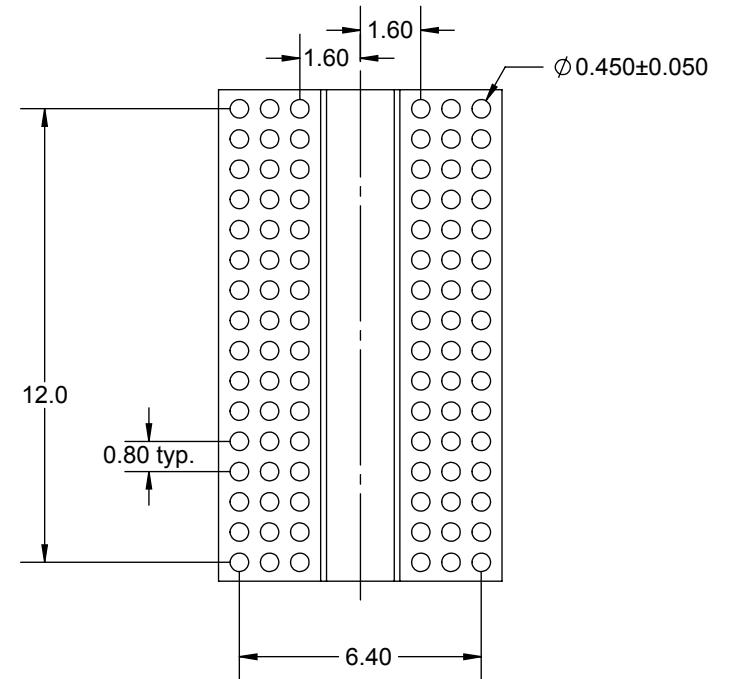
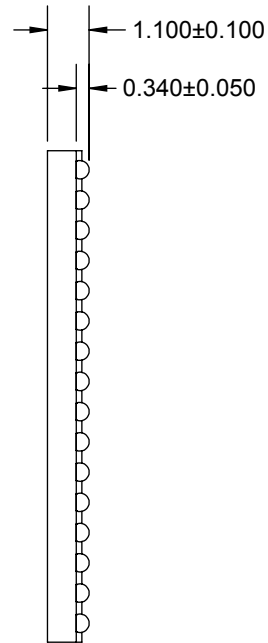
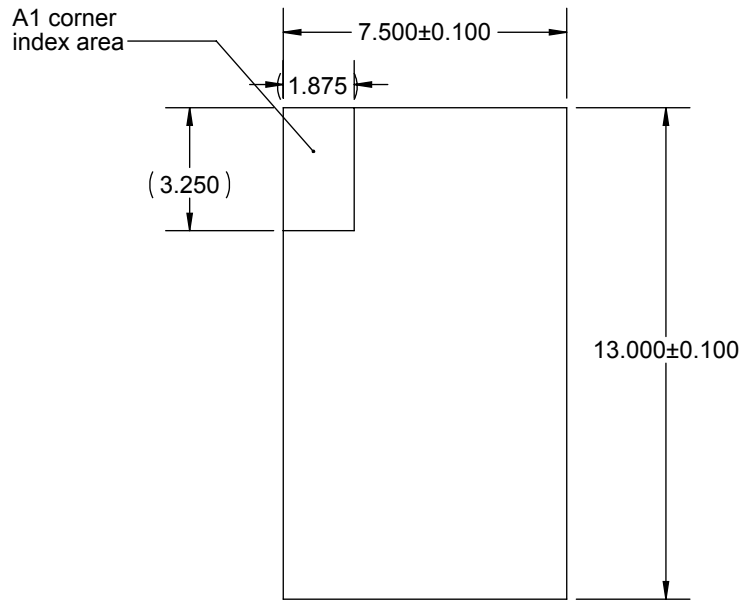
Ironwood Package Code: BGA96H

Description: Compatible Device 8x14mm

Primary dimension units are millimeters, Secondary dimension units are [inches], Weight is in grams.

Tolerances: Hole diameters ±0.03mm [±0.001"], Pitches (from true position) ±0.025mm [±0.001"], substrate thickness tolerance ±10%, all other tolerances ±0.13mm [±0.005"] unless stated otherwise. Materials and specifications are subject to change without notice.

 SG-BGA-6410 Drawing Ironwood Electronics, Inc. Tele: (800) 404-0204 www.ironwoodelectronics.com	Material: N/A Finish: N/A Weight: 9.80	STATUS: Released	SHEET: 3 OF 7	REV. A
		ENG: E. Smolentseva	DRAWN BY: M. Raske	SCALE: 3.5:1
		FILE: SG-BGA-6410 Dwg	DATE: 10/09/2014	




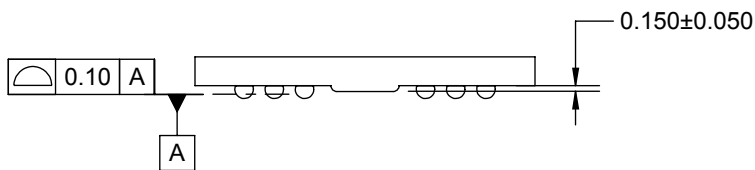
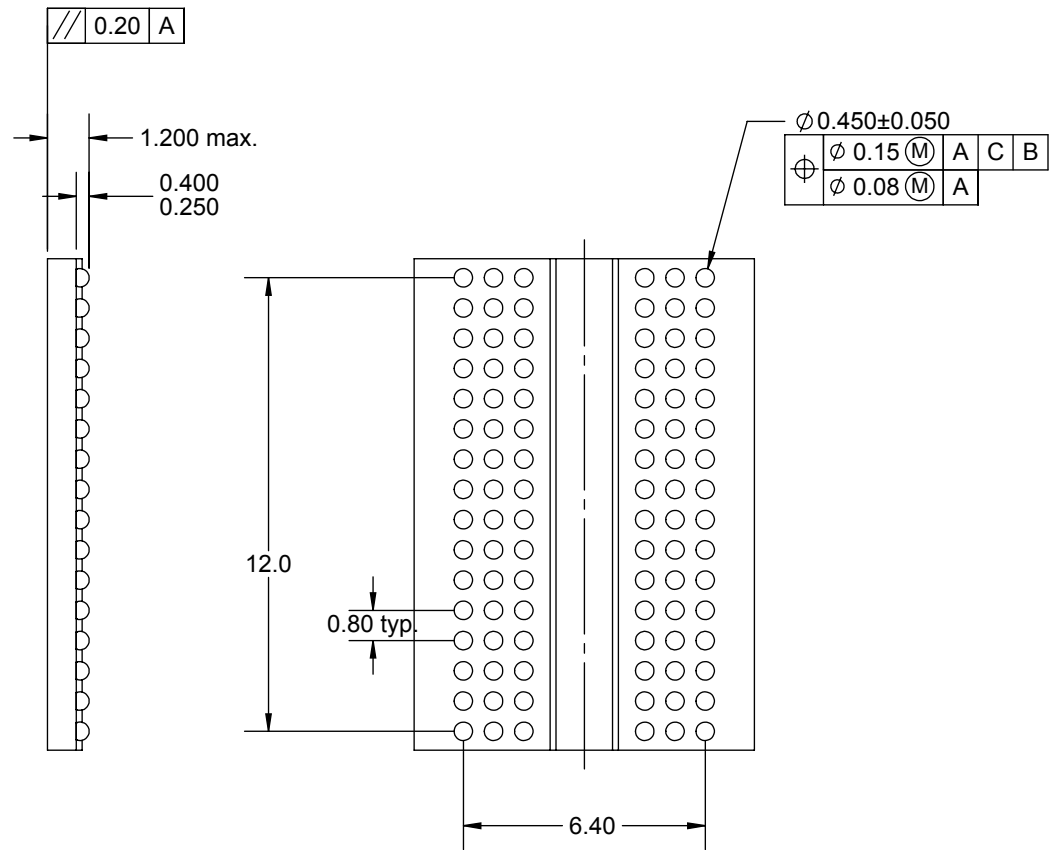
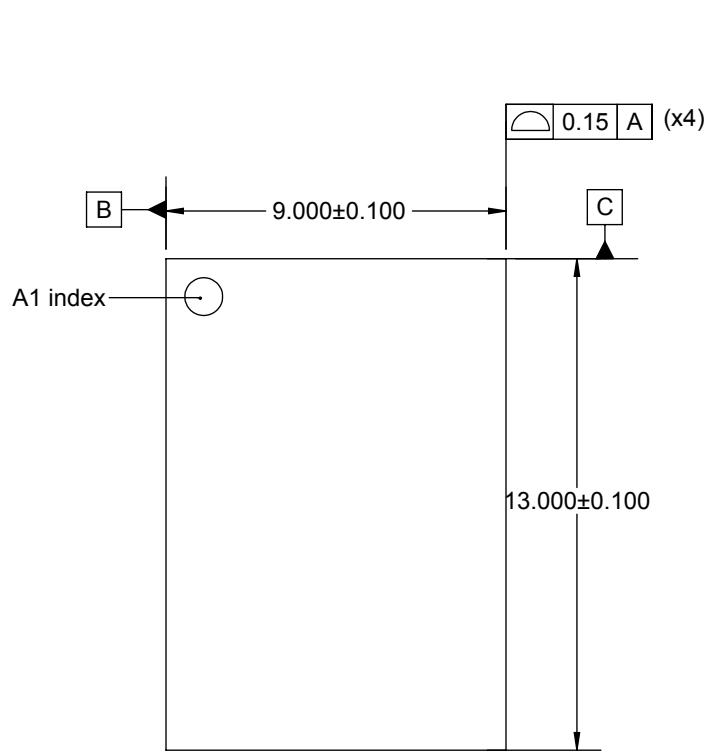
Ironwood Package Code: BGA96K

Description: Compatible Device 7.5x13mm

Primary dimension units are millimeters, Secondary dimension units are [inches], Weight is in grams.

Tolerances: Hole diameters $\pm 0.03\text{mm}$ [$\pm 0.001"$], Pitches (from true position) $\pm 0.025\text{mm}$ [$\pm 0.001"$], substrate thickness tolerance $\pm 10\%$, all other tolerances $\pm 0.13\text{mm}$ [$\pm 0.005"$] unless stated otherwise. Materials and specifications are subject to change without notice.

 SG-BGA-6410 Drawing Ironwood Electronics, Inc. Tele: (800) 404-0204 www.ironwoodelectronics.com	Material: N/A Finish: N/A Weight: 9.80	STATUS: Released	SHEET: 4 OF 7	REV. A
		ENG: E. Smolentseva	DRAWN BY: M. Raske	SCALE: 3.5:1
		FILE: SG-BGA-6410 Dwg	DATE: 10/09/2014	




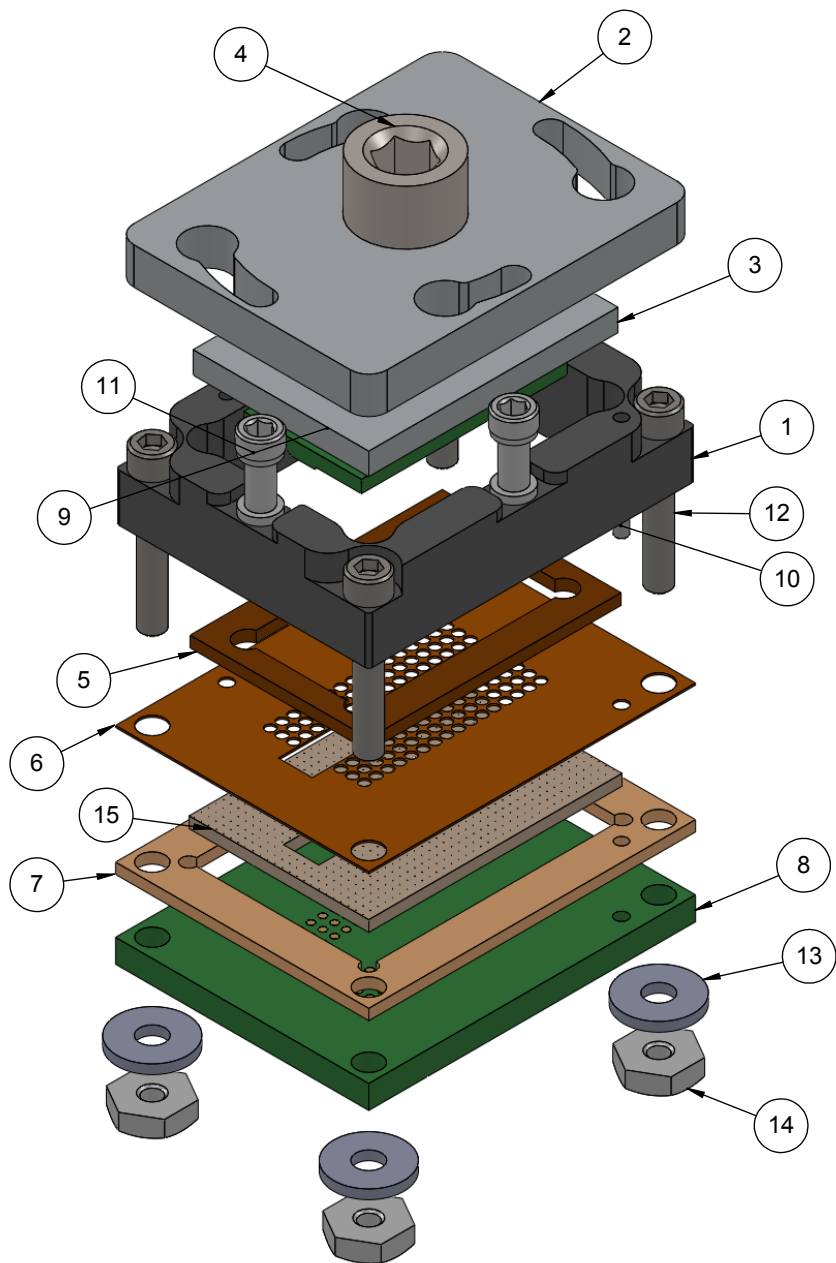
Ironwood Package Code: BGA96G

Description: Compatible Device 9x13mm

Primary dimension units are millimeters, Secondary dimension units are [inches], Weight is in grams.

Tolerances: Hole diameters ± 0.03 mm [± 0.001 "], Pitches (from true position) ± 0.025 mm [± 0.001 "], substrate thickness tolerance $\pm 10\%$, all other tolerances ± 0.13 mm [± 0.005 "] unless stated otherwise. Materials and specifications are subject to change without notice.

 SG-BGA-6410 Drawing Ironwood Electronics, Inc. Tele: (800) 404-0204 www.ironwoodelectronics.com	Material: N/A Finish: N/A Weight: 9.80	STATUS: Released	SHEET: 5 OF 7	REV. A
		ENG: E. Smolentseva	DRAWN BY: M. Raske	SCALE: 3.5:1
		FILE: SG-BGA-6410 Dwg	DATE: 10/09/2014	




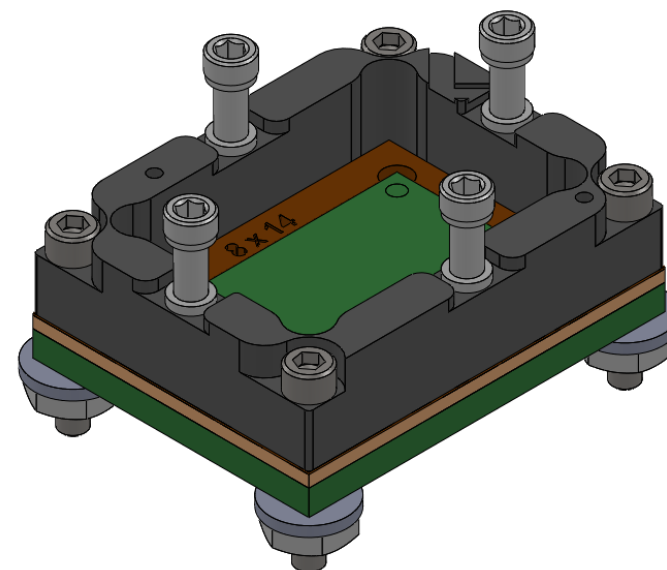
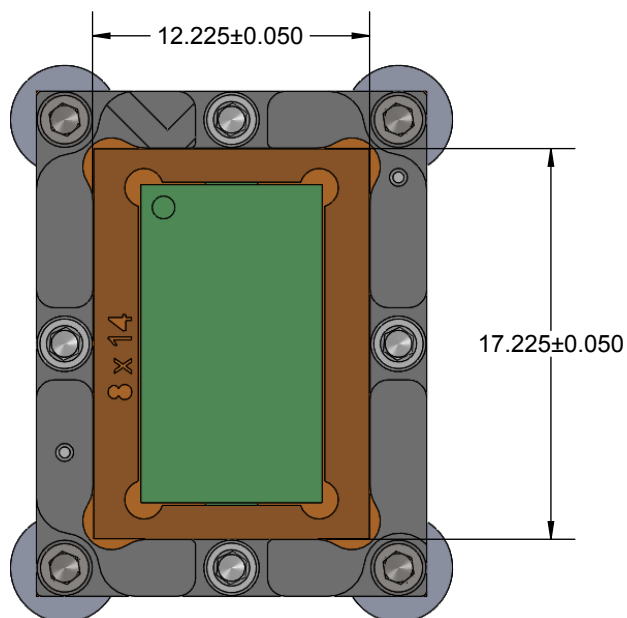
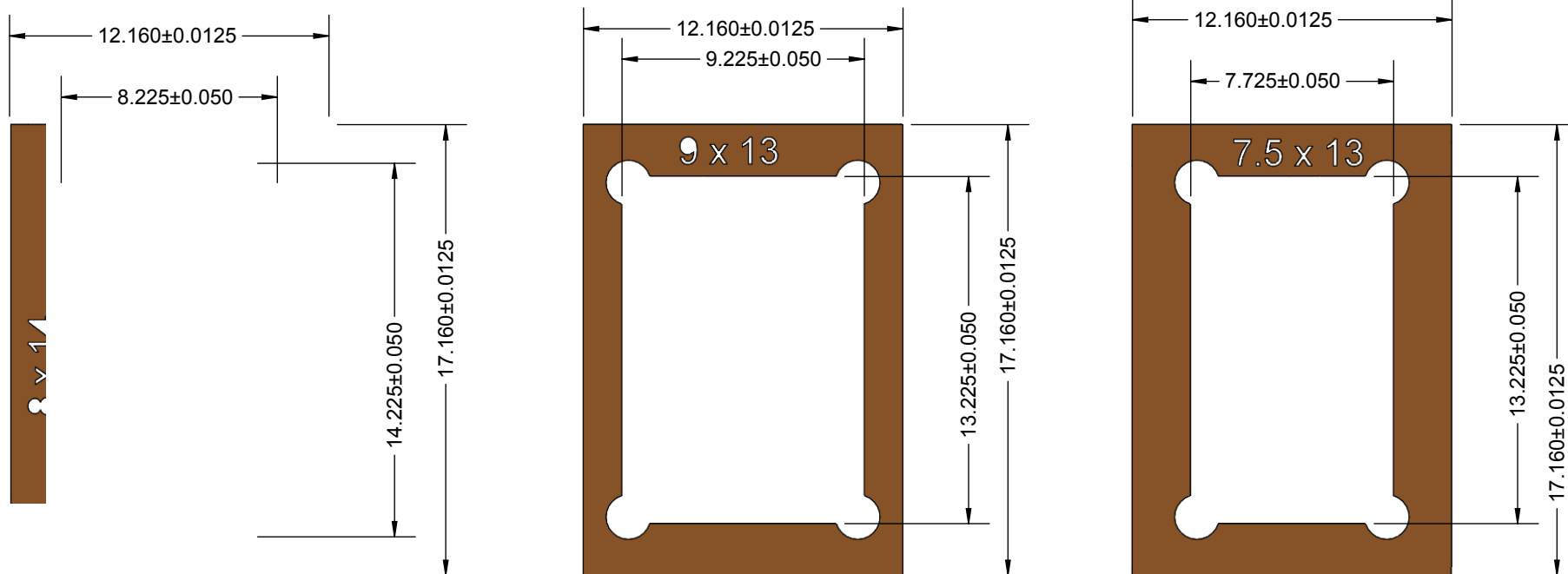
ITEM NO.	DESCRIPTION	Material
1	Socket Base	7075-T6 Aluminum Alloy
2	Socket Lid	7075-T6 Aluminum Alloy
3	Compression plate	7075-T6 Aluminum Alloy
4	Compression Screw M6x1	Stainless Steel (18-8)
5	IC Guide for 8x14mm IC	Kapton Polyimide/Cirlex
6	Ball Guide	Kapton Polyimide/Cirlex
7	Elastomer Guide	Ultem 1000
8	Customer's target PCB	FR4 Standard
9	Customer's device	FR4 Standard
10	Dowel Pin, 1/32" x 3/16", SS	Chrome Stainless Steel
11	#0-80 Shoulder Screw, 0.090" thread length	Stainless Steel (303)
12	#0-80 X .375 LG, SOC HD CAP SCREW, ALLOY STL, BLK OXIDE	Alloy Steel
13	Washer, #0 x .025", Nylon	Nylon 6/6
14	Nut, #0-80, SS	Stainless Steel (18-8)
15	0.75mm thick 0.1mm pitch 63 deg angled elastomer	Silicon Rubber

Description: Assembly

Primary dimension units are millimeters, Secondary dimension units are [inches], Weight is in grams.

Tolerances: Hole diameters $\pm 0.03\text{mm}$ [$\pm 0.001"$], Pitches (from true position) $\pm 0.025\text{mm}$ [$\pm 0.001"$], substrate thickness tolerance $\pm 10\%$, all other tolerances $\pm 0.13\text{mm}$ [$\pm 0.005"$] unless stated otherwise. Materials and specifications are subject to change without notice.

 SG-BGA-6410 Drawing Ironwood Electronics, Inc. Tele: (800) 404-0204 www.ironwoodelectronics.com	Material: N/A Finish: N/A Weight: 9.80	STATUS: Released	SHEET: 6 OF 7	REV. A
		ENG: E. Smolentseva	DRAWN BY: M. Raske	SCALE: 2.75:1
		FILE: SG-BGA-6410 Dwg	DATE: 10/09/2014	



Description: IC Guides

Primary dimension units are millimeters, Secondary dimension units are [inches], Weight is in grams.

Tolerances: Hole diameters $\pm 0.03\text{mm}$ [± 0.001 "], Pitches (from true position) $\pm 0.025\text{mm}$ [± 0.001 "], substrate thickness tolerance $\pm 10\%$, all other tolerances $\pm 0.13\text{mm}$ [± 0.005 " unless stated otherwise. Materials and specifications are subject to change without notice.

SG-BGA-6410 Drawing



Ironwood Electronics, Inc.
Tele: (800) 404-0204
www.ironwoodelectronics.com

Material: N/A
Finish: N/A
Weight: 9.80

STATUS: Released

ENG: E. Smolentseva

FILE: SG-BGA-6410 Dwg

SHEET: 7 OF 7

DRAWN BY: M. Raske

DATE: 10/09/2014

REV. A

SCALE: 4:1