

DJ SERIES

1mm PITCH CONNECTOR FOR REMOVABLE MEDIA DEVICE

RoHS
Compliant



FEATURES

- ▶ Power contacts have a 5A (max.) current rating.
- ▶ Signal contacts are designed with a 2-level sequence.
- ▶ The conductivity of the retention clips for the plug and receptacle allows frame ground connection between devices.
- ▶ The mating position can be adjusted by selecting an appropriate standoff height in the mechanical design phase.
- ▶ Absorbs -1.5mm gap in XY directions when mating.

ORDER CODE

DJ0 - **S-F**

① ② ③ ④

*Please order in multiples of the quantity per package.

- ① **[Type]** Receptacle **DJ03** : With power contact **DJ04** : Without power contact
- ② **[Number of contacts]** **040** : 40 pin **050** : 50 pin **060** : 60 pin **080** : 80 pin
- ③ **[Contact tail style]** **S** : Straight
- ④ **[RoHS]** **F** : RoHS compliant

ORDER CODE

DJ3 - - - **F**

① ② ③ ④ ⑤

*Please order in multiples of the quantity per package.

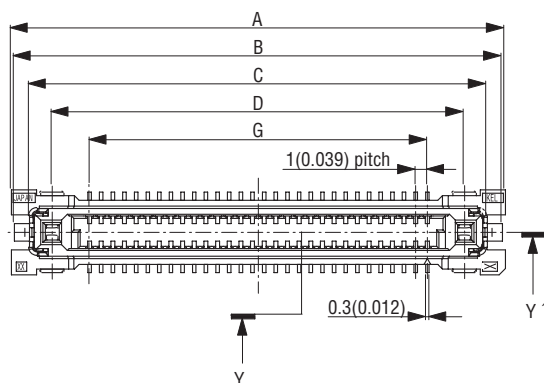
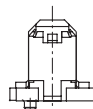
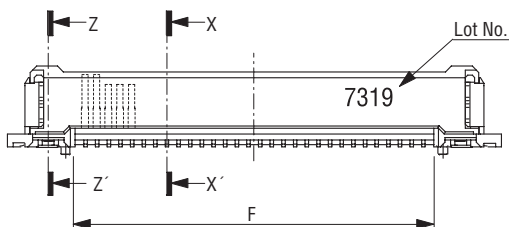
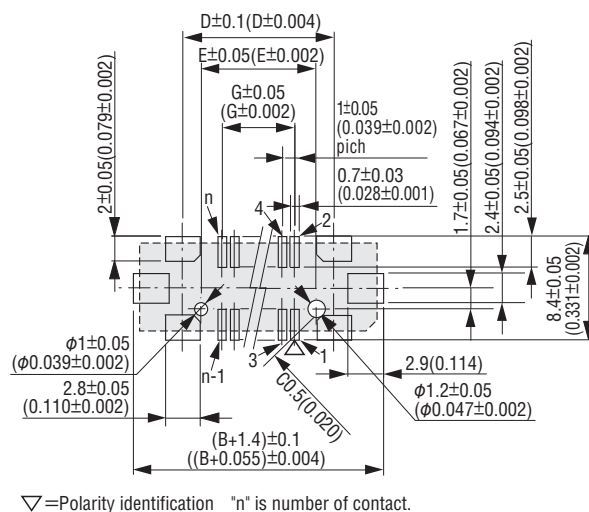
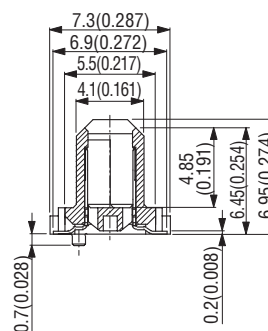
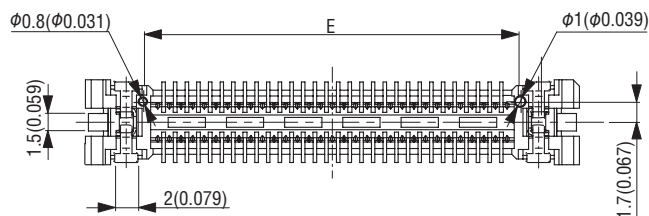
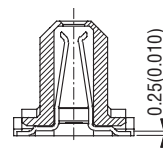
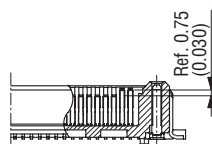
- ① **[Type]** Plug **DJ33** : With power contact **DJ34** : Without power contact
- ② **[Number of contacts]** **040** : 40 pin **050** : 50 pin **060** : 60 pin **080** : 80 pin
- ③ **[Contact tail style]** **L** : Right angle **FL**:Flexible right angle
- ④ **[Stand off height]** (FL type) **T**: 1.0mm(0.039") **V**: 2.0mm(0.079") **Y**: 3.0mm(0.118") **Z**: 4.0mm(0.157")
- ⑤ **[RoHS]** **F** : RoHS compliant

SPECIFICATIONS

Material and plating		Electrical Characteristics	
Insulator material	Glass-filled LCP (UL94V-0), Black	Current rating	Signal contact:0.5A per contact
Alignment plate material	Glass-filled 46 Nylon (UL94V-0), Black		Power contact:5A per contact
Contact material	Copper alloy	Contact resistance	Signal contact:40mΩ max.
Contact plating	Gold over Nickel		Power contact:15mΩ max.
Power contact material	Copper alloy	Dielectric withstanding voltage	300V AC for 1 minute
Power contact plating	Gold over Nickel		
Retention clip material	Tin alloy	Insulation resistance	1,000MΩ min. at 250V DC
Retention clip plating	Gold over Nickel		
Frame ground contact material	Tin alloy	Operating temperature	-55°C to +85°C
Frame ground contact mating	Nickel		

◆ Product Outline

DJ series is a 1mm pitch, 2 piece connector system which was developed for the next generation of removable media devices. The DJ series offers Straight/SMT type (Receptacle) for the removable media Device side, we also Right angle/SMT types (Plug) in 5 variations (standard, 1mm, 2mm, 3mm and 4mm) so that you can freely choose the mating position on the main board side. The superior design of our connectors is helpful in your system's design. Example: the guide structure for blind mating, structures that protect contacts from damage during mismatched insertion, and mounting hardware to increase mounted strength of connectors. This connector can be used in "Hot Swap" applications for HDD, FDD, CD-ROM drives and DVD, etc. with power supply turned on and frame ground implemented between mainboard and devices. KEL also provides this series "with power contacts". These contacts are effective for use in battery pack applications. The DJ series connector is designed exclusively for removable media devices and battery packs.


Printed Circuit Board Layout (Component Side View)

X-X' Cross Section

Z-Z' Cross Section

Y-Y' Cross Section


Packaging style

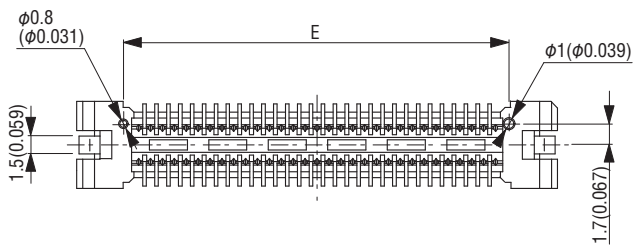
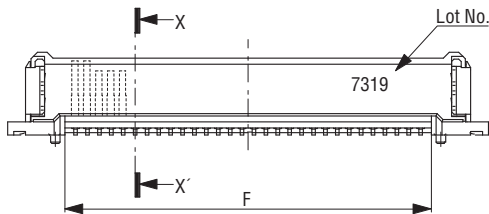
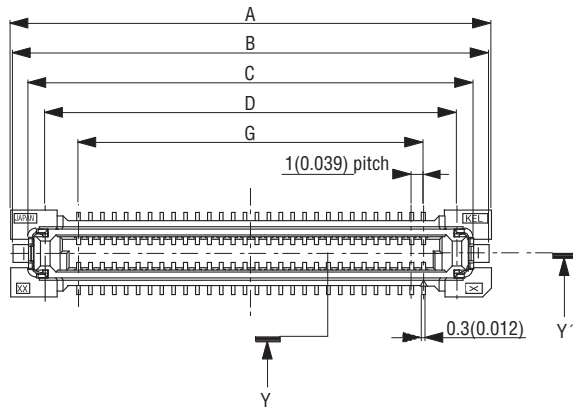
Tray

Product Table / Dimensions

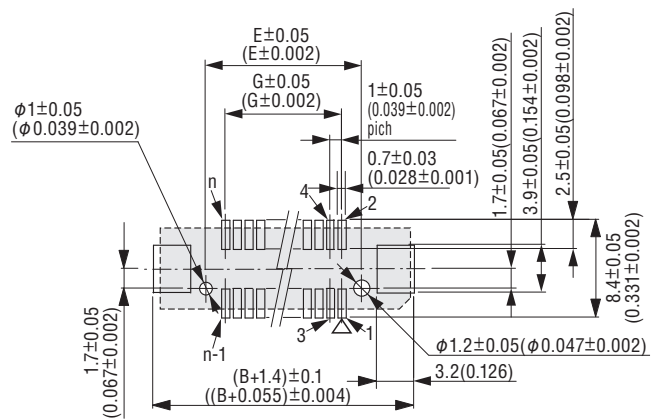
No. of contacts	Part Number	A	B	C	D	E	F	G	Number of packaging
40	DJ03-040S-F	32.4 (1.276)	32.0 (1.260)	29.4 (1.157)	25.4 (1.000)	22.4 (0.882)	20.8 (0.819)	19.0 (0.748)	60
50	DJ03-050S-F	37.4 (1.472)	37.0 (1.457)	34.4 (1.354)	30.4 (1.197)	27.4 (1.079)	25.8 (1.016)	24.0 (0.945)	50
60	DJ03-060S-F	42.4 (1.669)	42.0 (1.654)	39.4 (1.551)	35.4 (1.394)	32.4 (1.276)	30.8 (1.213)	29.0 (1.142)	50
80	DJ03-080S-F	52.4 (2.063)	52.0 (2.047)	49.4 (1.945)	45.4 (1.787)	42.4 (1.669)	40.8 (1.606)	39.0 (1.535)	40

DJ04-□□□S-F (Receptacle, Straight, Without power contacts)

Unit : mm (inch)

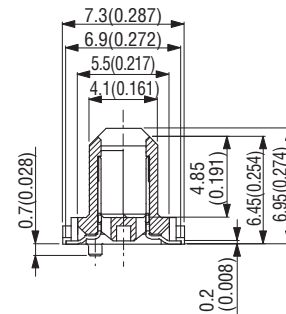


Printed Circuit Board Layout (Component Side View)

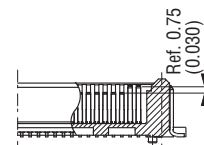


▽=Polarity identification "n" is number of contact.

X-X' Cross Section



Y-Y' Cross Section

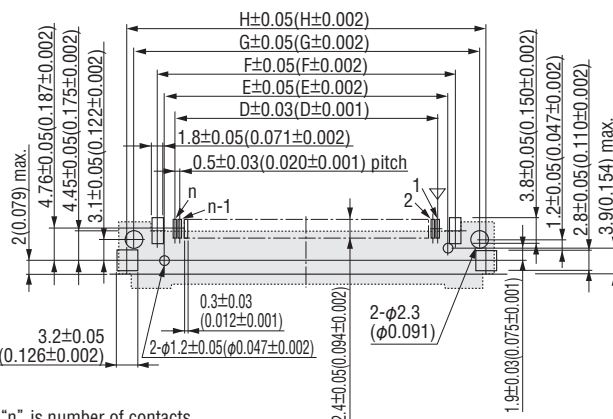


Product Table / Dimensions

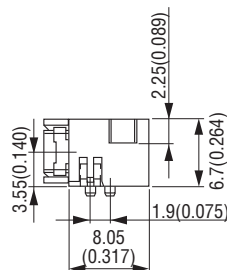
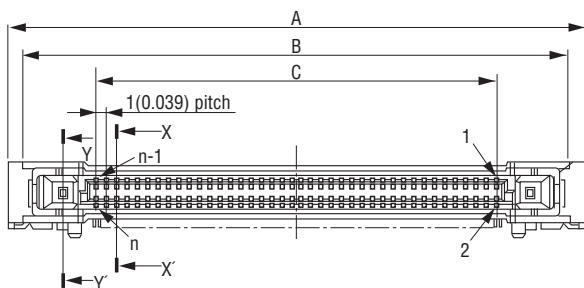
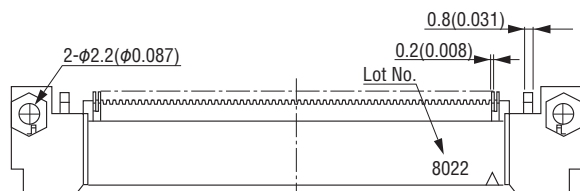
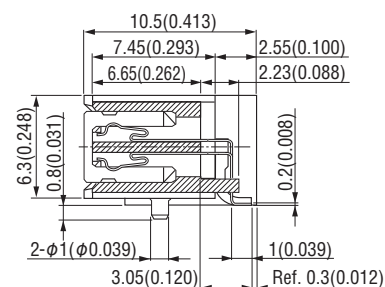
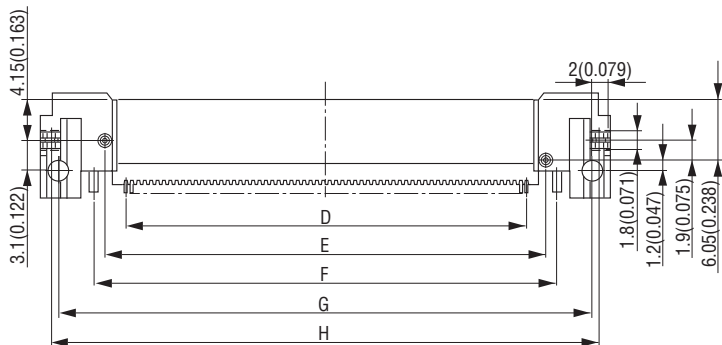
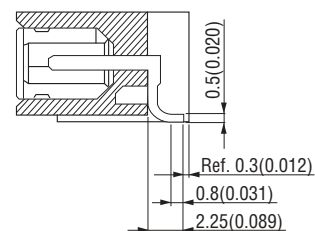
No. of contacts	Part Number	A	B	C	D	E	F	G	Number of packaging
40	DJ04-040S-F	30.4 (1.197)	30.0 (1.181)	27.4 (1.079)	24.6 (0.969)	22.4 (0.882)	20.8 (0.819)	19.0 (0.748)	70
50	DJ04-050S-F	35.4 (1.394)	35.0 (1.378)	32.4 (1.276)	29.6 (1.165)	27.4 (1.079)	25.8 (1.016)	24.0 (0.945)	60
60	DJ04-060S-F	40.4 (1.591)	40.0 (1.575)	37.4 (1.472)	34.6 (1.362)	32.4 (1.276)	30.8 (1.213)	29.0 (1.142)	50
80	DJ04-080S-F	50.4 (1.984)	50.0 (1.969)	47.4 (1.866)	44.6 (1.756)	42.4 (1.669)	40.8 (1.606)	39.0 (1.535)	40

Packaging style

Tray

Printed Circuit Board Layout (Component Side View)


"n" is number of contacts.
 ▽=Polarity identification


X-X' Cross Section

Y-Y' Cross Section


Packaging style

Tray

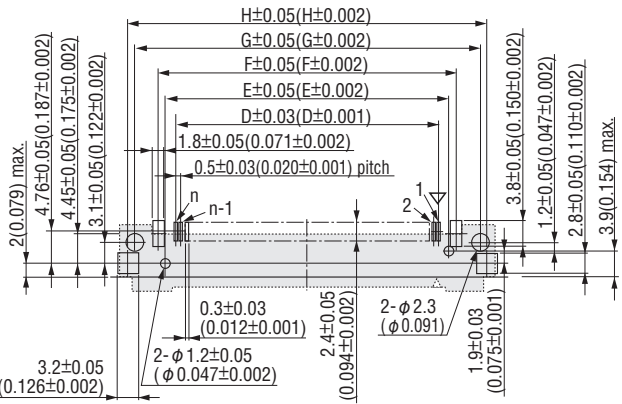
Product Table / Dimensions

No. of contacts	Part Number	A	B	C	D	E	F	G	H	Number of packaging
40	DJ33-040L-F	36.50 (1.437)	33.20 (1.307)	19.00 (0.748)	19.50 (0.768)	23.28 (0.917)	25.40 (1.000)	32.36 (1.274)	33.98 (1.338)	60
50	DJ33-050L-F	41.50 (1.634)	38.20 (1.504)	24.00 (0.945)	24.50 (0.965)	28.28 (1.113)	30.40 (1.197)	37.36 (1.471)	38.98 (1.535)	50
60	DJ33-060L-F	46.50 (1.831)	43.20 (1.701)	29.00 (1.142)	29.50 (1.161)	33.28 (1.310)	35.40 (1.394)	42.36 (1.668)	43.98 (1.731)	40
80	DJ33-080L-F	56.50 (2.224)	53.20 (2.094)	39.00 (1.535)	39.50 (1.555)	43.28 (1.704)	45.40 (1.787)	52.36 (2.061)	53.98 (2.125)	40

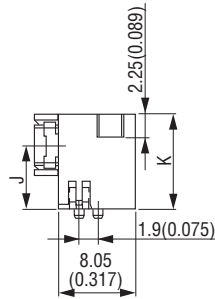
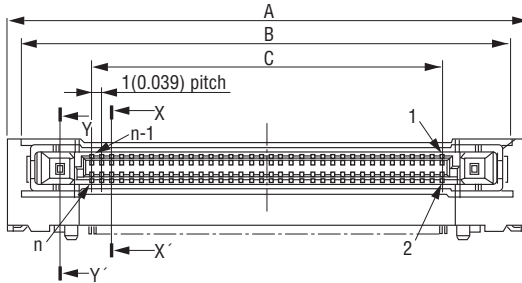
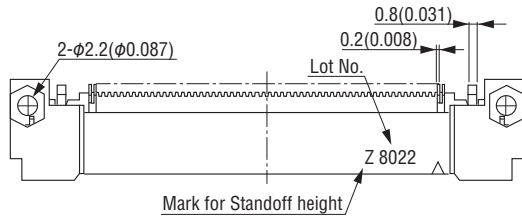
DJ33-□□□FL-□-F (Plug, Flexible right angle, With power contacts)

Unit : mm (inch)

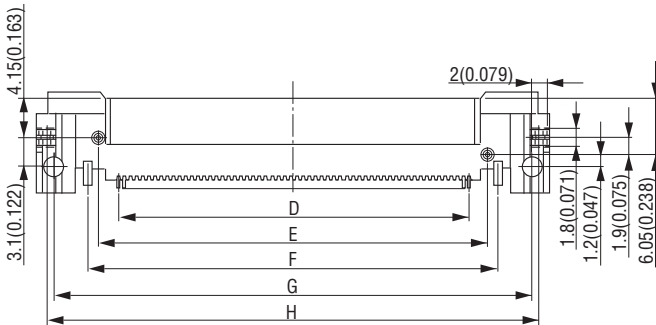
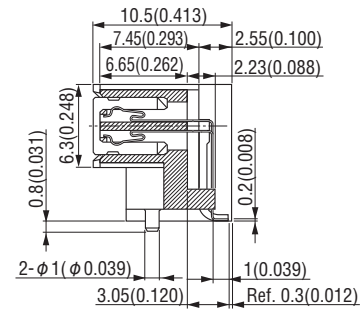
▶ Printed Circuit Board Layout (Component Side View)



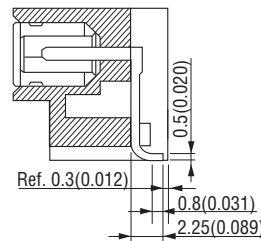
"n" is number of contacts.
▽=Polarity identification



X-X' Cross Section



Y-Y' Cross Section



▶ Product Table / Mating Height

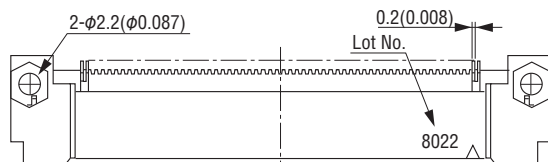
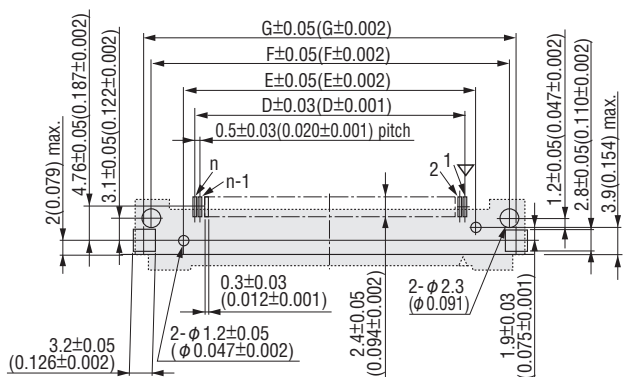
Part Number	J	K
DJ33-□□□FL-T-F	4.55 (0.179)	7.70 (0.303)
DJ33-□□□FL-V-F	5.55 (0.219)	8.70 (0.343)
DJ33-□□□FL-Y-F	6.55 (0.258)	9.70 (0.382)
DJ33-□□□FL-Z-F	7.55 (0.297)	10.70 (0.421)

▶ Product Table / Dimensions

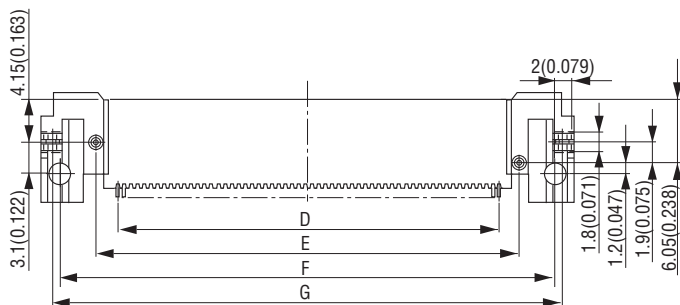
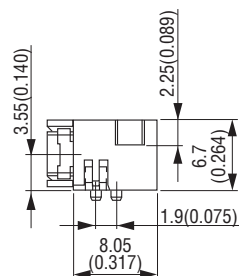
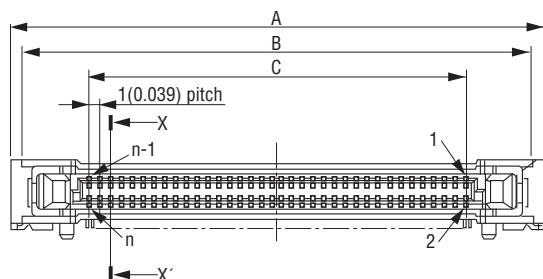
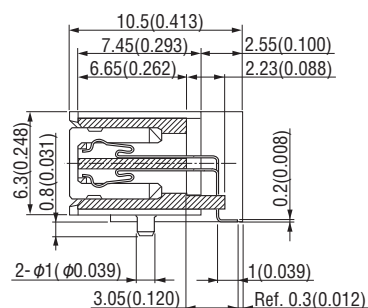
No. of contacts	Part Number	A	B	C	D	E	F	G	H	Number of packaging
40	DJ33-040FL-□-F	36.50 (1.437)	33.20 (1.307)	19.00 (0.748)	19.50 (0.768)	23.28 (0.917)	25.40 (1.000)	32.36 (1.274)	33.98 (1.338)	60
50	DJ33-050FL-□-F	41.50 (1.634)	38.20 (1.504)	24.00 (0.945)	24.50 (0.965)	28.28 (1.113)	30.40 (1.197)	37.36 (1.471)	38.98 (1.535)	50
60	DJ33-060FL-□-F	46.50 (1.831)	43.20 (1.701)	29.00 (1.142)	29.50 (1.161)	33.28 (1.310)	35.40 (1.394)	42.36 (1.668)	43.98 (1.731)	40
80	DJ33-080FL-□-F	56.50 (2.224)	53.20 (2.094)	39.00 (1.535)	39.50 (1.555)	43.28 (1.704)	45.40 (1.787)	52.36 (2.061)	53.98 (2.125)	40

Packaging style

Tray


▶ Printed Circuit Board Layout (Component Side View)


"n" is number of contacts.
 ▽=Polarity identification


X-X' Cross Section


Packaging style

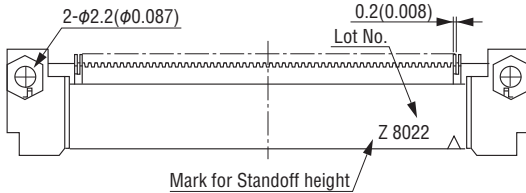
Tray

▶ Product Table / Dimensions

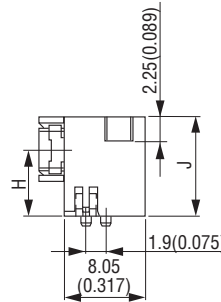
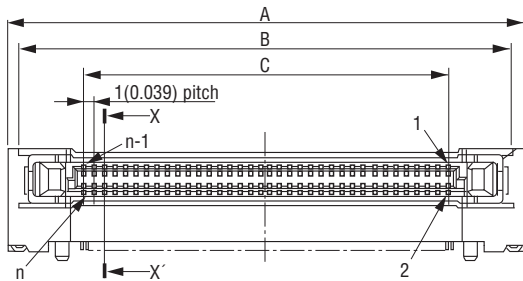
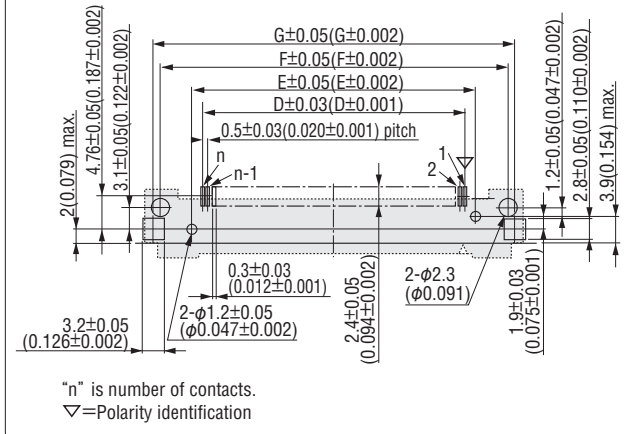
No. of contacts	Part Number	A	B	C	D	E	F	G	Number of packaging
40	DJ34-040L-F	34.50 (1.358)	31.20 (1.228)	19.00 (0.748)	19.50 (0.768)	23.28 (0.917)	30.36 (1.195)	31.98 (1.259)	60
50	DJ34-050L-F	39.50 (1.555)	36.20 (1.425)	24.00 (0.945)	24.50 (0.965)	28.28 (1.113)	35.36 (1.392)	36.98 (1.456)	50
60	DJ34-060L-F	44.50 (1.752)	41.20 (1.622)	29.00 (1.142)	29.50 (1.161)	33.28 (1.310)	40.36 (1.589)	41.98 (1.653)	50
80	DJ34-080L-F	54.50 (2.146)	51.20 (2.016)	39.00 (1.535)	39.50 (1.555)	43.28 (1.704)	50.36 (1.983)	51.98 (2.046)	40

DJ34-□□□FL-□-F (Plug, Flexible right angle, Without power contacts)

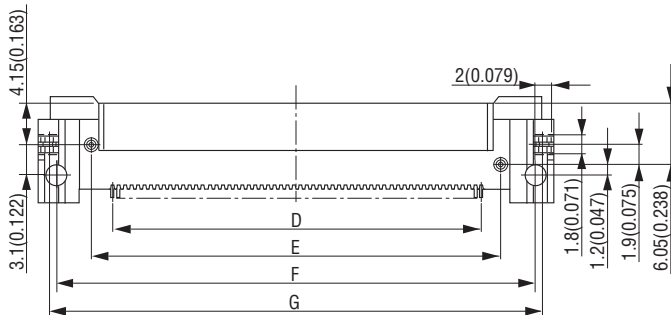
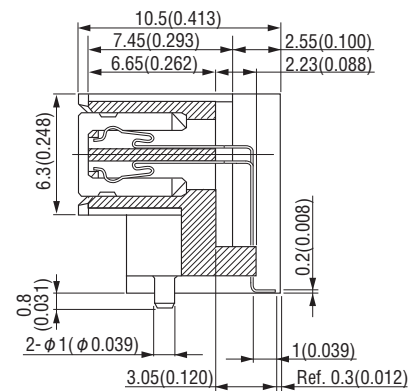
Unit : mm (inch)



▶ Printed Circuit Board Layout (Component Side View)



X-X' Cross Section



▶ Product Table / Mating Height

Part Number	H	J
DJ33-□□□FL-T-F	4.55 (0.179)	7.70 (0.303)
DJ33-□□□FL-V-F	5.55 (0.219)	8.70 (0.343)
DJ33-□□□FL-Y-F	6.55 (0.258)	9.70 (0.382)
DJ33-□□□FL-Z-F	7.55 (0.297)	10.70 (0.421)

▶ Product Table / Dimensions

No. of contacts	Part Number	A	B	C	D	E	F	G	Number of packaging
40	DJ34-040FL-□-F	34.50 (1.358)	31.20 (1.228)	19.00 (0.748)	19.50 (0.768)	23.28 (0.917)	30.36 (1.195)	31.98 (1.259)	60
50	DJ34-050FL-□-F	39.50 (1.555)	36.20 (1.425)	24.00 (0.945)	24.50 (0.965)	28.28 (1.113)	35.36 (1.392)	36.98 (1.456)	50
60	DJ34-060FL-□-F	44.50 (1.752)	41.20 (1.622)	29.00 (1.142)	29.50 (1.161)	33.28 (1.310)	40.36 (1.589)	41.98 (1.653)	50
80	DJ34-080FL-□-F	54.50 (2.146)	51.20 (2.016)	39.00 (1.535)	39.50 (1.555)	43.28 (1.704)	50.36 (1.983)	51.98 (2.046)	40

Packaging style
Tray