

# 8832E-FS SERIES

## 1.27mm PITCH CONNECTOR / FLEXIBLE STRAIGHT TYPE

RoHS  
Compliant



### FEATURES

- ▶ Standard stacked heights are 20, 24 and 30mm. (0.787", 0.945", 0.181")
- ▶ Other stacked heights from 18mm (0.709") to 30mm (1.181") are available.
- ▶ 8832E Series will mate with 8800/8801/8802 Series.
- ▶ With a completely-independent two-point contact system, a stable contact pressure is maintained at all times.
- ▶ Low insertion force and withdrawal force.

Note) Does not mate with 8822E/8825E.

### ORDER CODE

**8832E-**          **FS**       **-F**

①                      ②                      ③                      ④                      ⑤                      ⑥

\*Please order in multiples of the quantity per package.

①	<b>[Type]</b> 8832E: Plug
②	<b>[Number of contacts]</b> 020: 20pin 030: 30pin 040: 40pin 050: 50pin 060: 60pin 080: 80pin 100: 100pin
③	<b>[Contact tail style]</b> FS: Flexible straight
④	<b>[Plating of contact area]</b> Omit: Au 0.05 μm (Standard) D: Au 0.25 μm (Upon request)
⑤	<b>[Stacked height]</b> N: 20mm(0.787") T: 24mm(0.945") Z: 30mm(1.181")
⑥	<b>[RoHS]</b> F: RoHS Compliant

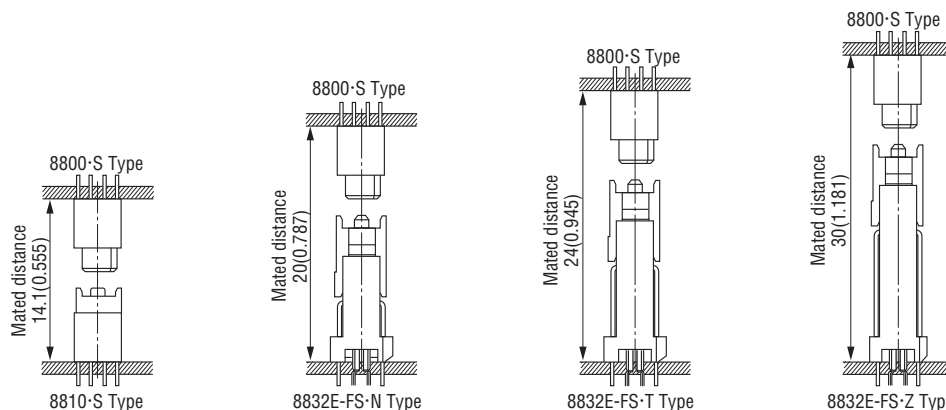
If you would like semi-customized products, please contact your local KEL sales office.

### SPECIFICATIONS

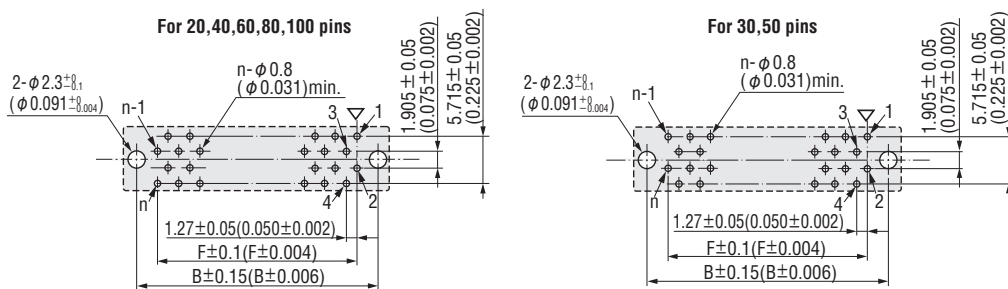
Material and plating		Electrical Characteristics	
Insulator material	Glass-filled Nylon 66 (UL94V-0), Black Spacer with alignment plate Glass-filled Nylon 46 (UL 94V-0), Black	Current rating	0.5A per contact
		Contact resistance	25mΩ max.
		Dielectric withstanding voltage	650V AC for 1 minute
Contact material	Copper alloy	Insulation resistance	1,000MΩ min. at 500V DC
		Insertion force (Typical example)	18.6N max./ 20 pin, 37.2N max./ 40 pin, 55.9N max./ 60 pin, 93.1N max./ 100 pin
Contact plating	(Contact area) Gold over Nickel (Terminal area) Tin copper over Nickel	Withdrawal force (Typical example)	2.9N min./ 20 pin, 7.8N min./ 40 pin, 11.8N min./ 60 pin, 19.6N min./ 100 pin
		Operating temperature	-55°C to +85°C

### Mating Drawing

Unit : mm(inch)

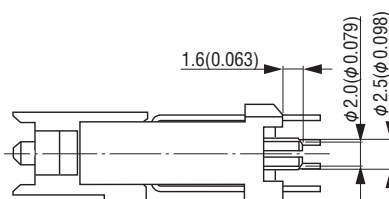
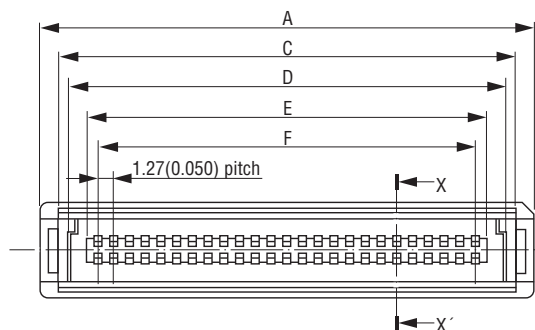
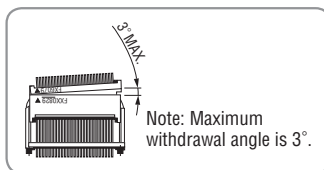
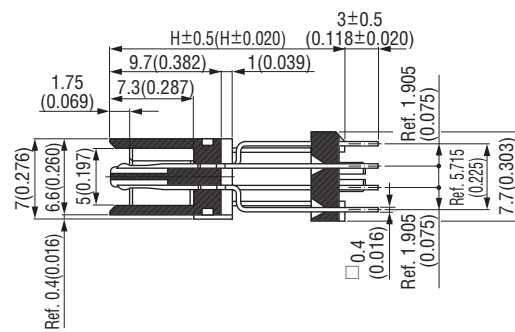
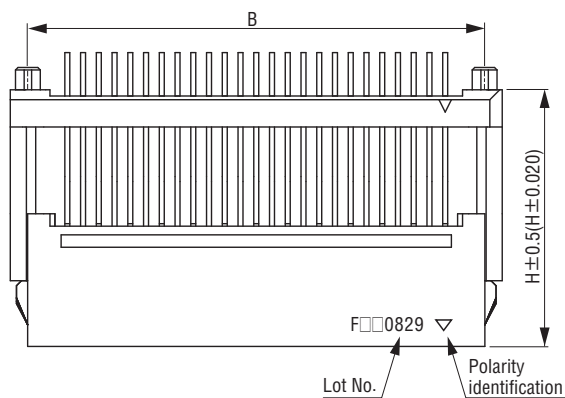


### Printed Circuit Board Layout (Component Side View)



Recommended PCB Thickness  $t = 1.6 \pm 0.1$  (0.063 ± 0.004)  
 ▽ = Polarity identification "n" is number of contacts.

### X-X' Cross Section



Packing style
Pipe

### Product Table / Dimensions

No. of contact	Part Number	A	B	C	D	E	F	Number of packaging
20	8832E-020 FS□-□-F	20.63 (0.812)	17.78 (0.700)	17.83 (0.702)	15.83 (0.623)	13.13 (0.517)	11.43 (0.450)	24
30	8832E-030 FS□-□-F	26.98 (1.062)	24.13 (0.950)	24.18 (0.952)	22.18 (0.873)	19.48 (0.767)	17.78 (0.700)	18
40	8832E-040 FS□-□-F	33.33 (1.312)	30.48 (1.200)	30.53 (1.202)	28.53 (1.123)	25.83 (1.017)	24.13 (0.950)	15
50	8832E-050 FS□-□-F	39.68 (1.562)	36.83 (1.450)	36.88 (1.452)	34.88 (1.373)	32.18 (1.267)	30.48 (1.200)	12
60	8832E-060 FS□-□-F	46.03 (1.812)	43.18 (1.700)	43.23 (1.702)	41.23 (1.623)	38.53 (1.517)	36.83 (1.450)	11
80	8832E-080 FS□-□-F	58.73 (2.312)	55.88 (2.200)	55.93 (2.202)	53.93 (2.123)	51.23 (2.017)	49.53 (1.950)	8
100	8832E-100 FS□-□-F	71.43 (2.812)	68.58 (2.700)	68.63 (2.702)	66.63 (2.623)	63.93 (2.517)	62.23 (2.450)	7

### Stacked height

Part Number	Stacked height	H
8832E-□□□FS□-N-F	20 (0.787)	16.6 (0.654)
8832E-□□□FS□-T-F	24 (0.945)	20.6 (0.811)
8832E-□□□FS□-Z-F	30 (1.181)	26.6 (1.047)