

8600 SERIES

0.635mm PITCH CONNECTOR

RoHS
Compliant



FEATURES

- ▶ Compact board-to-board connector, meeting the needs for multi pin count applications.
- ▶ High reliable design with effective mating length of 2mm(0.079").
- ▶ Horizontal, Vertical and Stacked mating combinations.
- ▶ Designed to prevent mis-insertion.
- ▶ The plug connector has a box-shaped construction, with highly reliable contact performance.
- ▶ Insulator protects the contacts from damage or breakage.
- ▶ Robust construction durable for use with industrial equipment.
- ▶ Can be automatically or manually placed.
- ▶ SMT solder joint.
- ▶ Coplanarity 0.1mm.

ORDER CODE

8601 - - -

① ② ③ ④ ⑤ ⑥

*Please order in multiples of the quantity per package.

① **[Type] 8601** : Receptacle

② **[Number of contacts]** (L type) **052** : 52 pin **120** : 120 pin **140** : 140 pin **160** : 160 pin
 (FS type) **060** : 60 pin **120** : 120 pin **140** : 140 pin **160** : 160 pin (Only 8601-160FSJ-E-P)
 (FL type) **060** : 60 pin **120** : 120 pin **140** : 140 pin **160** : 160 pin **200** : 200 pin

③ **[Contact tail style]** **L** : Right angle **FS** : Flexible Straight **FL** : Right angle

④ **[Plating type]** (FS type) **Omit** : Entire Gold plating **J** : Partial Gold plating (Only 160 pin)

⑤ **[Stacked height]** (FS type) **A** : 8mm (0.315") **E** : 12mm(0.472") (Only 160 pin) **I** : 16mm(0.630)

⑥ **[Pick&Place cap]** (FS type) **P** : With Pick&Place cap

*If you would like an FS type product without a Pick & Place cap, please feel free to consult with your local KEL sales office.

ORDER CODE

8611 - -

① ② ③ ④

*Please order in multiples of the quantity per package.

① **[Type] 8611** : Plug **8611H** : Plug

② **[Number of contacts]** (S type) **052** : 52 pin **060** : 60 pin **120** : 120 pin **140** : 140 pin **160** : 160 pin
 (FL type) **060** : 60 pin **120** : 120 pin **140** : 140 pin **160** : 160 pin **200** : 200 pin

③ **[Contact tail style]** (8611)**S** : Straight (8611H)**FL** : Right angle

④ **[Pick&Place Cap]** (S type) **P** : With Pick&Place cap **Omit** : Without Pick&Place cap

SPECIFICATIONS

Material and plating		Electrical Characteristics	
Insulator material	Glass-filled LCP (UL94V-0), Black	Current rating	0.5A per contact
Contact material	Copper alloy	Contact resistance	50mΩ max.
Contact plating	Gold over Nickel	Dielectric withstanding voltage	200V AC for 1 minute
Retention clip material	Copper alloy	Insulation resistance	100MΩ min. at 250V DC
Retention clip plating	Gold over Nickel	Operating temperature	-40°C to +85°C



Importation & Distribution
Electronic Components

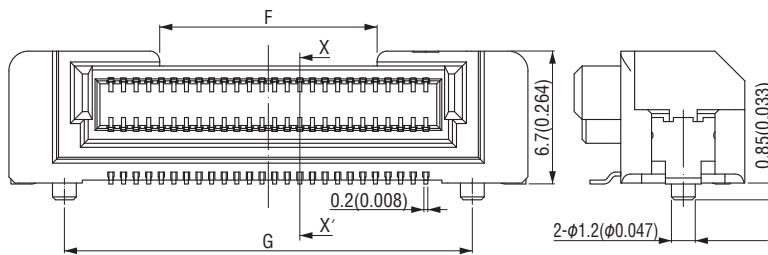
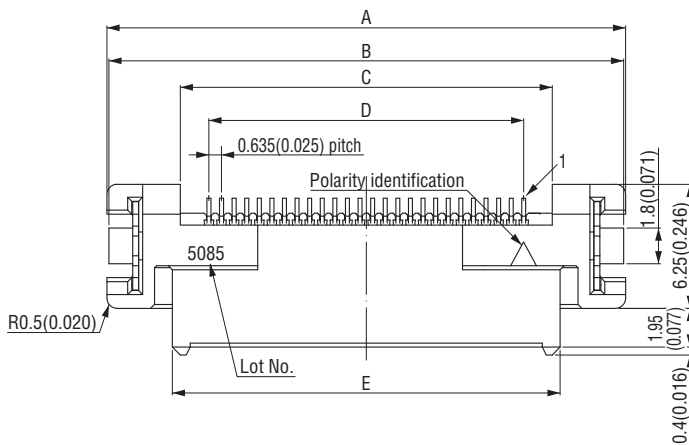
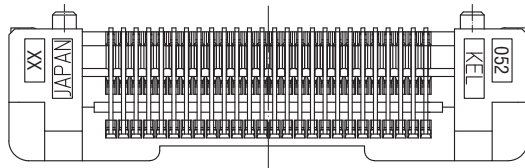
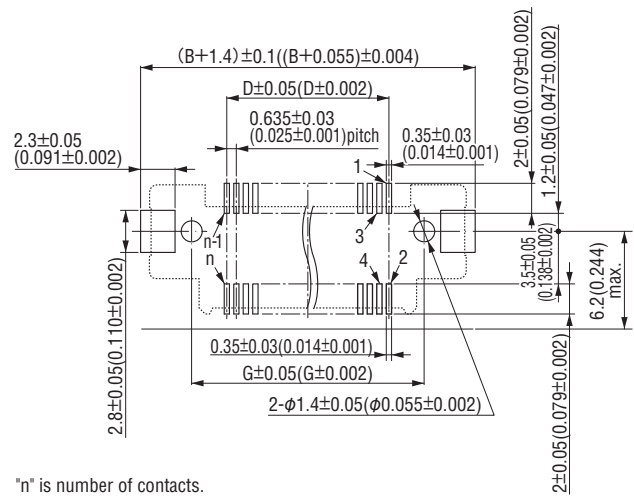
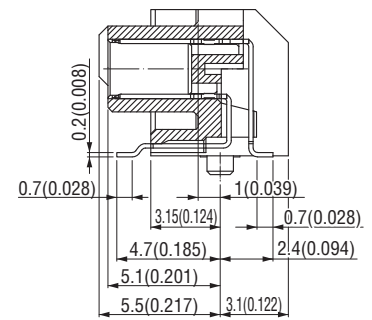
B.C.E. s.r.l.

Via Regina Pacis, 54/c - 41049 SASSUOLO (MO) Italy

Tel. +39 0536 811.616 r.a. - Fax +39 0536 811.500

www.bce.it - E-mail: bce@bce.it




Printed Circuit Board Layout (Component Side View)

X-X' Cross Section


Packaging style

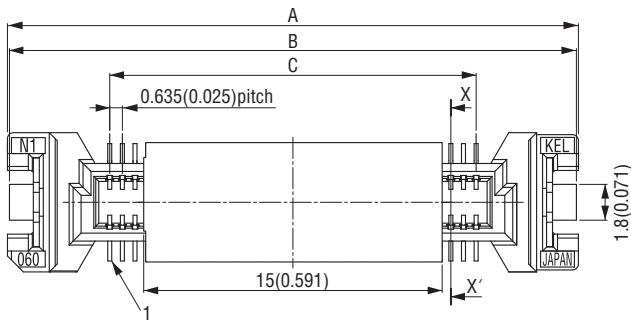
Tray

Product Table / Dimensions

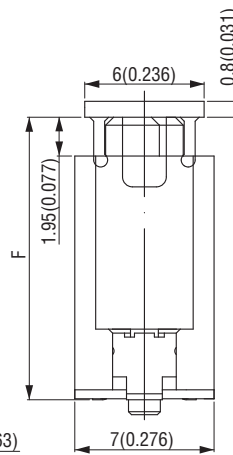
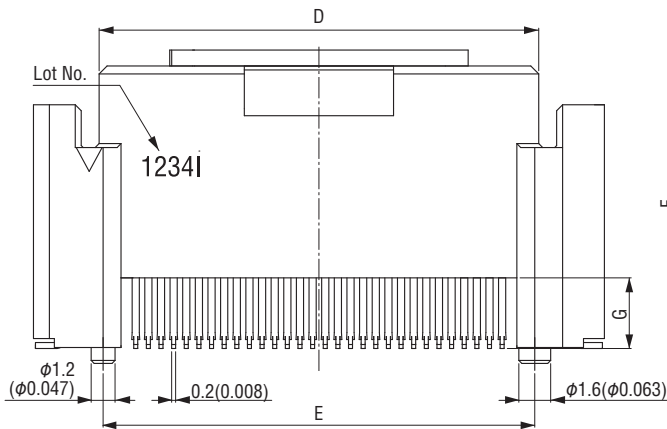
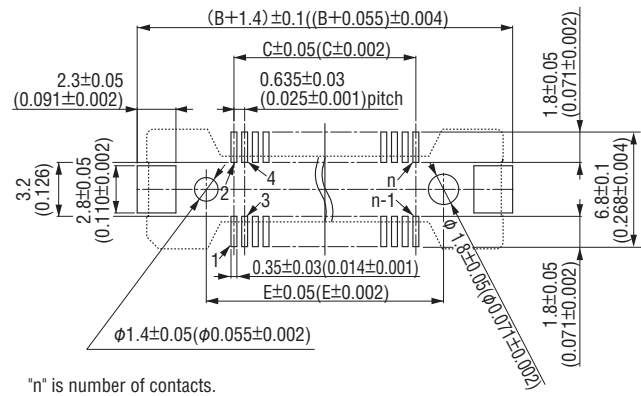
No. of contacts	Part Number	A	B	C	D	E	F	G	Number of packaging
52	8601-052L	26.16 (1.030)	25.96 (1.022)	18.76 (0.739)	15.875 (0.625)	19.56 (0.770)	10.96 (0.431)	20.56 (0.809)	60
120	8601-120L	47.75 (1.880)	47.55 (1.872)	40.35 (1.589)	37.465 (1.475)	41.15 (1.620)	26.15 (1.030)	42.15 (1.659)	30
140	8601-140L	54.10 (2.130)	53.90 (2.122)	46.70 (1.839)	43.815 (1.725)	47.50 (1.870)	32.50 (1.280)	48.50 (1.909)	30
160	8601-160L	60.45 (2.380)	60.25 (2.372)	53.05 (2.089)	50.165 (1.975)	53.85 (2.120)	38.85 (1.530)	54.85 (2.159)	30

8601-□□□FS□-□-P (Receptacle, Flexible straight)

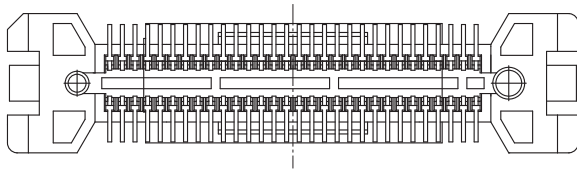
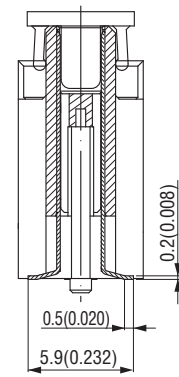
Unit : mm(inch)



Printed Circuit Board Layout (Component Side View)



X-X' Cross Section



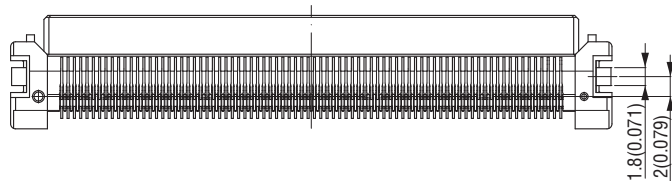
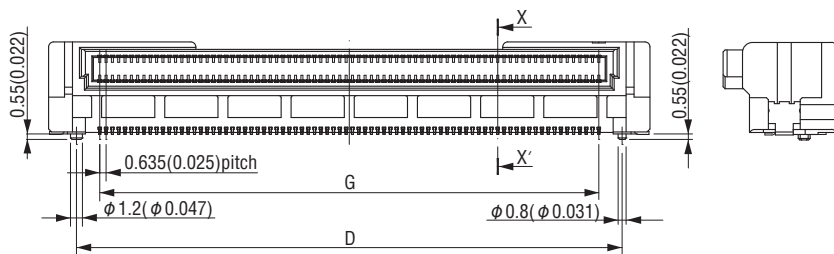
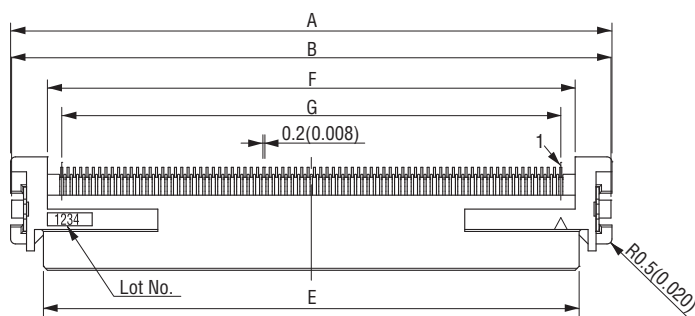
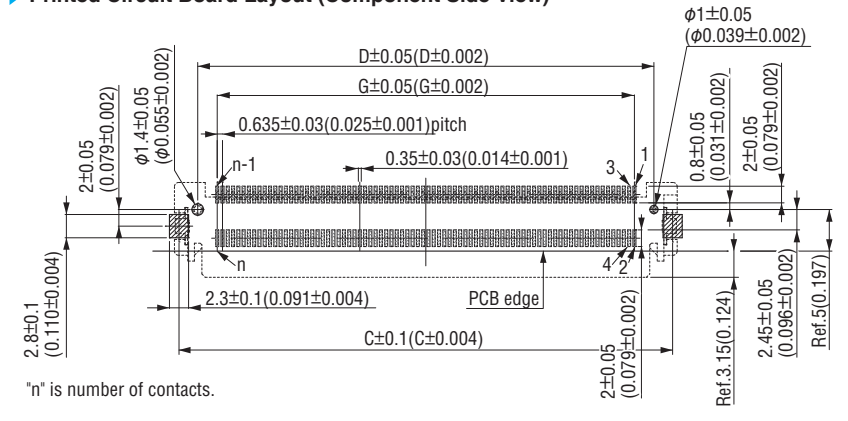
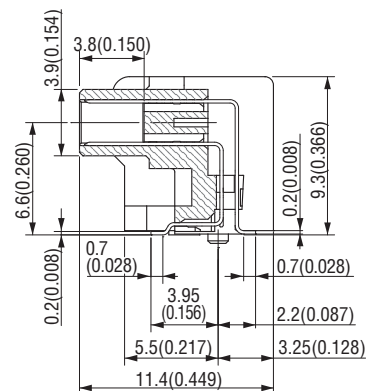
Part Number	Stacked height	F	G
8601-□□□FS-A-P	8	6.20 (0.244)	0.55 (0.022)
8601-160FSJ-E-P	12	10.20 (0.402)	0.70 (0.28)
8601-□□□FS-I-P	16	14.20 (0.559)	3.55 (0.140)

Packaging style

Tray

Product Table / Dimensions

No. of contacts	Part Number	A	B	C	D	E	Number of packaging
60	8601-060FS-□-P	28.70 (1.130)	28.50 (1.122)	18.415 (0.725)	22.10 (0.870)	21.70 (0.854)	50
120	8601-120FS-□-P	47.75 (1.880)	47.55 (1.872)	37.465 (1.475)	41.15 (1.620)	40.75 (1.604)	30
140	8601-140FS-□-P	54.10 (2.130)	53.90 (2.122)	43.815 (1.725)	47.50 (1.870)	47.10 (1.854)	30
160	8601-160FSJ-E-P	60.45 (2.380)	60.25 (2.372)	50.165 (1.975)	53.85 (2.120)	53.45 (2.104)	30

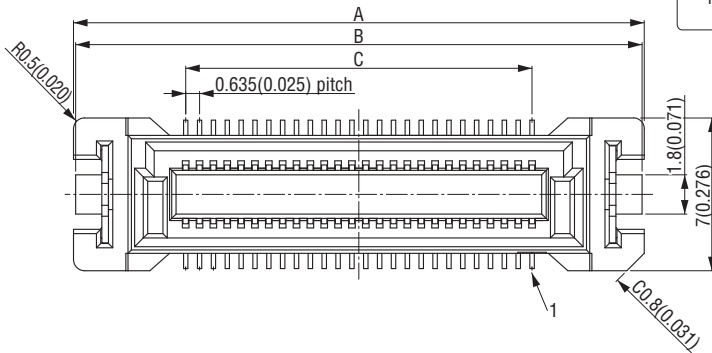
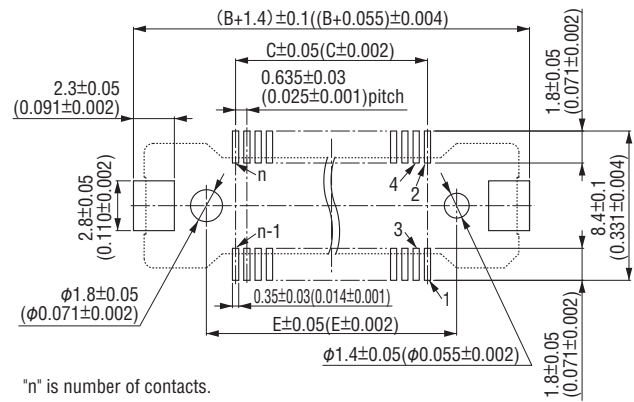
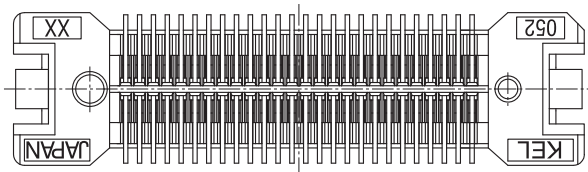
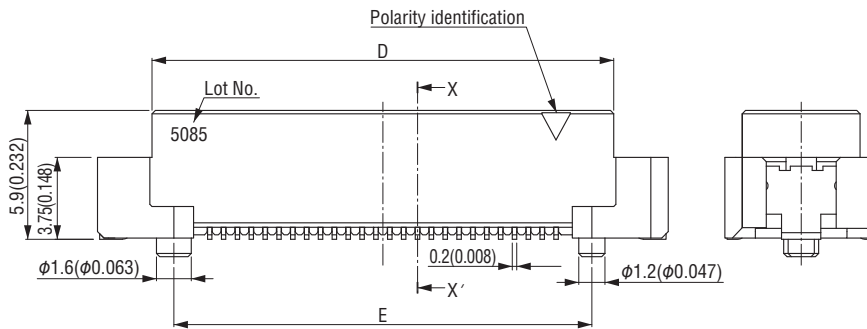
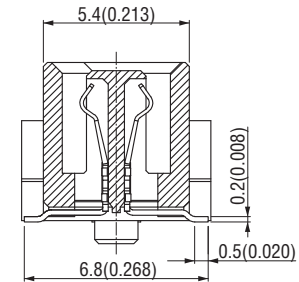
▶ Printed Circuit Board Layout (Component Side View)

X-X' Cross Section


Packaging style

Tray

▶ Product Table / Dimensions

No. of contacts	Part Number	A	B	C	D	E	F	G	Number of packaging
60	8601-060FL	28.70 (1.130)	28.50 (1.122)	27.60 (1.087)	23.10 (0.909)	22.00 (0.866)	21.30 (0.839)	18.415 (0.725)	40
120	8601-120FL	47.75 (1.880)	47.55 (1.872)	46.65 (1.837)	42.15 (1.659)	41.05 (1.616)	40.35 (1.589)	37.465 (1.475)	24
140	8601-140FL	54.10 (2.130)	53.90 (2.122)	53.00 (2.087)	48.50 (1.909)	47.40 (1.866)	46.70 (1.839)	43.815 (1.725)	24
160	8601-160FL	60.45 (2.380)	60.25 (2.372)	59.35 (2.337)	54.85 (2.159)	53.75 (2.116)	53.05 (2.089)	50.165 (1.975)	24
200	8601-200FL	73.15 (2.880)	72.95 (2.872)	72.05 (2.837)	67.55 (2.659)	66.45 (2.616)	65.75 (2.589)	62.865 (2.475)	20

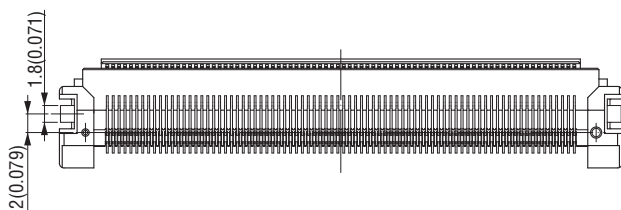
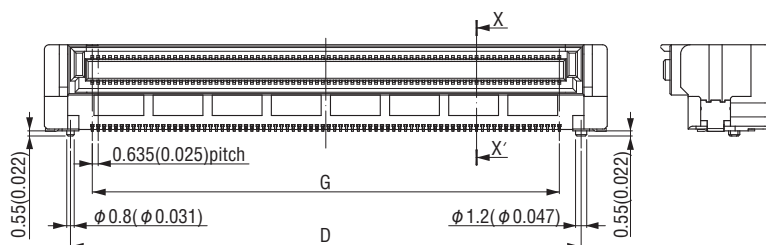
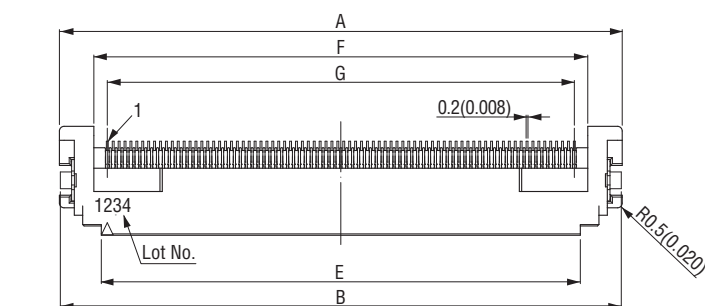
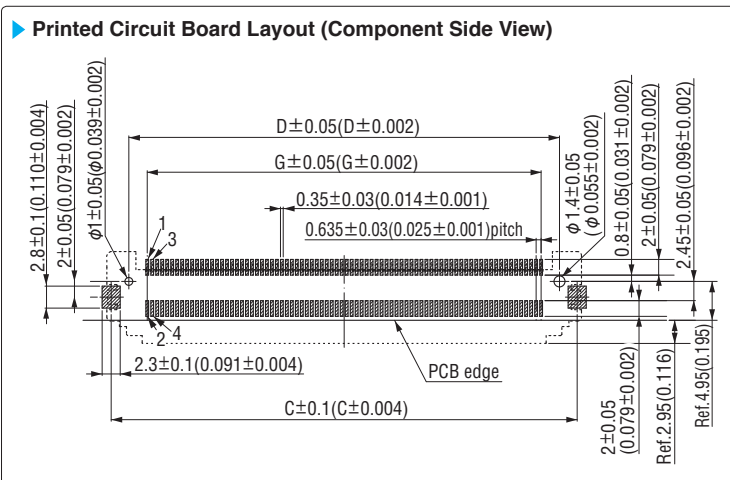
▶ Printed Circuit Board Layout (Component Side View)

X-X' Cross Section


Packaging style

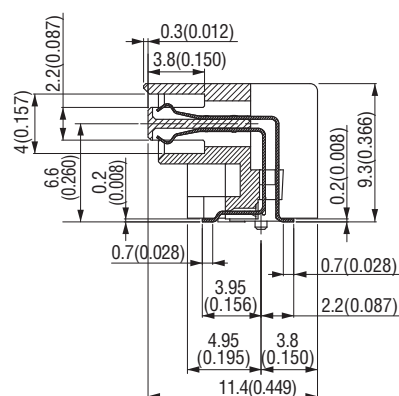
Tray

▶ Product Table / Dimensions

No. of contacts	Part Number	A	B	C	D	E	Number of packaging
52	8611-052S-□	26.16 (1.030)	25.96 (1.022)	15.875 (0.625)	21.16 (0.833)	19.16 (0.754)	60
60	8611-060S-□	28.70 (1.130)	28.50 (1.122)	18.415 (0.725)	23.70 (0.933)	21.70 (0.854)	50
120	8611-120S-□	47.75 (1.880)	47.55 (1.872)	37.465 (1.475)	42.75 (1.683)	40.75 (1.604)	30
140	8611-140S-□	54.10 (2.130)	53.90 (2.122)	43.815 (1.725)	49.10 (1.933)	47.10 (1.854)	30
160	8611-160S-□	60.45 (2.380)	60.25 (2.372)	50.165 (1.975)	55.45 (2.183)	53.45 (2.104)	30



X-X' Cross Section



Packaging style

Tray

▶ Product Table / Dimensions

No. of contacts	Part Number	A	B	C	D	E	F	G	Number of packaging
60	8611H-060FL	28.70 (1.130)	28.50 (1.122)	27.60 (1.087)	23.10 (0.909)	19.70 (0.776)	21.30 (0.839)	18.415 (0.725)	40
120	8611H-120FL	47.75 (1.880)	47.55 (1.872)	46.65 (1.837)	42.15 (1.659)	38.75 (1.526)	40.35 (1.589)	37.465 (1.475)	24
140	8611H-140FL	54.10 (2.130)	53.90 (2.122)	53.00 (2.087)	48.50 (1.909)	45.10 (1.776)	46.70 (1.839)	43.815 (1.725)	24
160	8611H-160FL	60.45 (2.380)	60.25 (2.372)	59.35 (2.337)	54.85 (2.159)	51.45 (2.026)	53.05 (2.089)	50.165 (1.975)	24
200	8611H-200FL	73.15 (2.880)	72.95 (2.872)	72.05 (2.837)	67.55 (2.659)	64.15 (2.526)	65.75 (2.589)	62.865 (2.475)	20