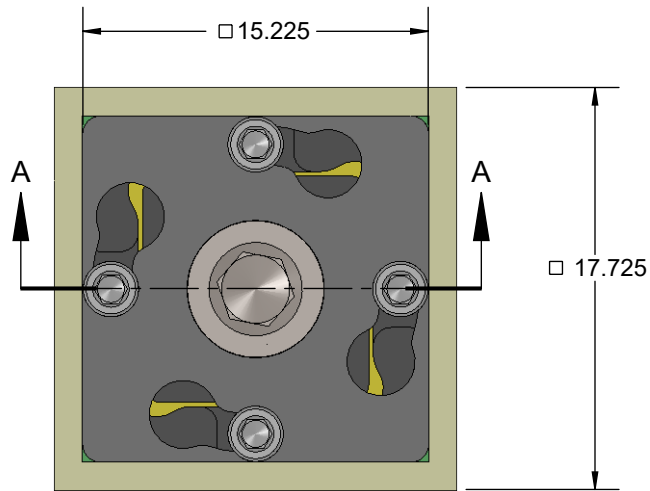


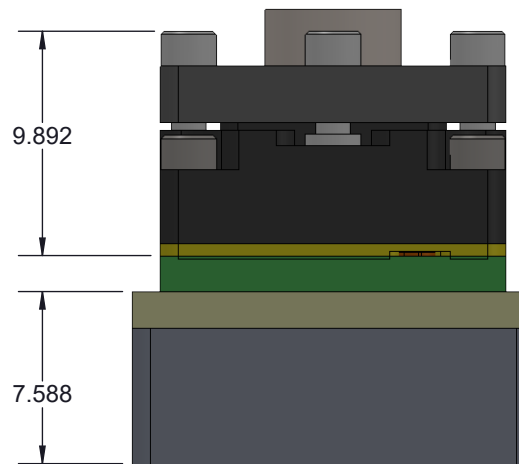
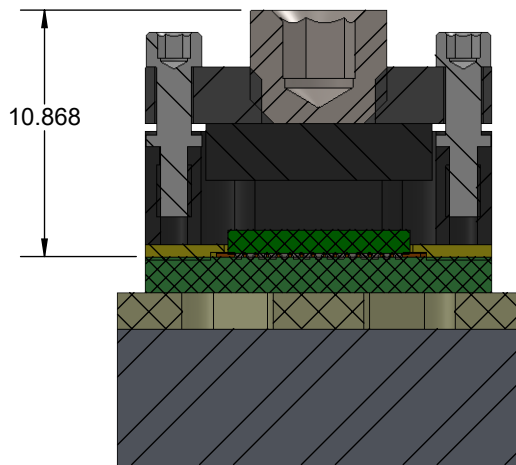
GHz BGA Socket - Direct mount, solderless

Features

- Directly mounts to target PCB (needs tooling holes) with hardware
- High speed, reliable Elastomer connection
- Minimum real estate required
- Compression plate distributes forces evenly
- Ball guide prevents over compression of elastomer
- Easily removable swivel socket lid



TOP VIEW



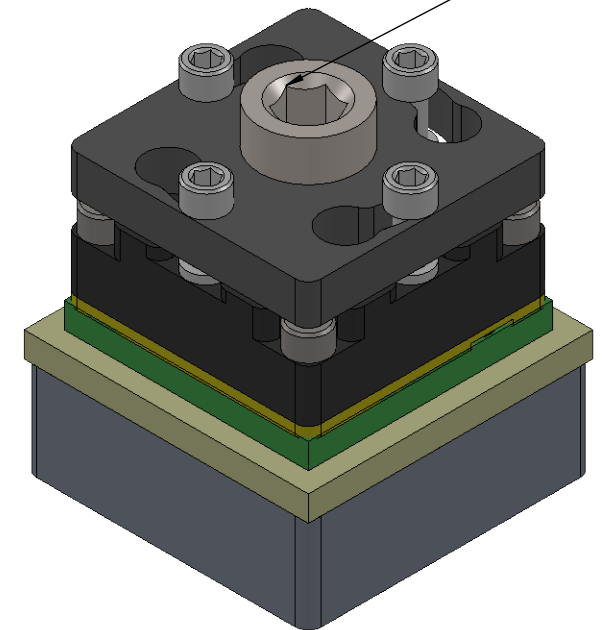
SECTION A-A

Description: GT-BGA225, 8MM, 15X15, 0.5

Primary dimension units are millimeters, Secondary dimension units are [inches], Weight is in grams.

Tolerances: Hole diameters $\pm 0.0254\text{mm}$ [$\pm 0.001"$], Pitches (from true position) $\pm 0.0762\text{mm}$ [$\pm 0.003"$], substrate thickness tolerance $\pm 10\%$, all other tolerances $\pm 0.127\text{mm}$ [$\pm 0.005"$] unless stated otherwise. Materials and specifications are subject to change without notice.

Required torque: 33.89N-cm (3 in-lb)
Recommended tool: TL-Torquedriver-01



GT-BGA-2062 Drawing



Ironwood Electronics, Inc.
Tele: (800) 404-0204
www.ironwoodelectronics.com

Material: N/A
Finish: N/A
Weight: 11.70

STATUS: Released

ENG: M. A. Fedde

FILE: GT-BGA-2062 Dwg

SHEET: 1 OF 4

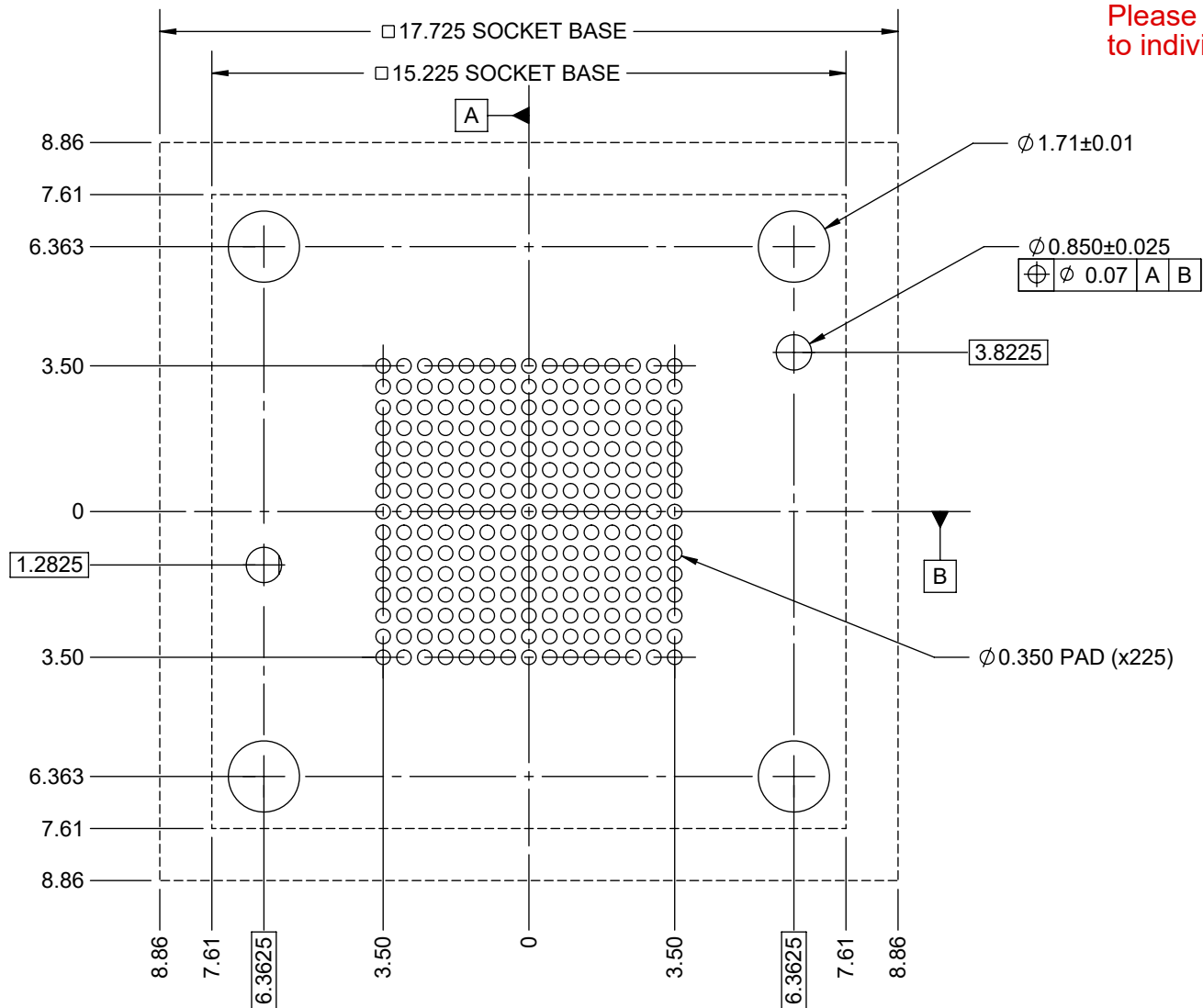
DRAWN BY: M. Raske

DATE: 05/2/2017

REV. A

SCALE: 3:1

Note: Full BGA pattern shown.
Please adjust pattern according
to individual requirements.



Target PCB Recommendations

Total thickness: 1.6mm min.


Plating: Gold or Solder finish

PCB Pad height: Same or higher than solder mask

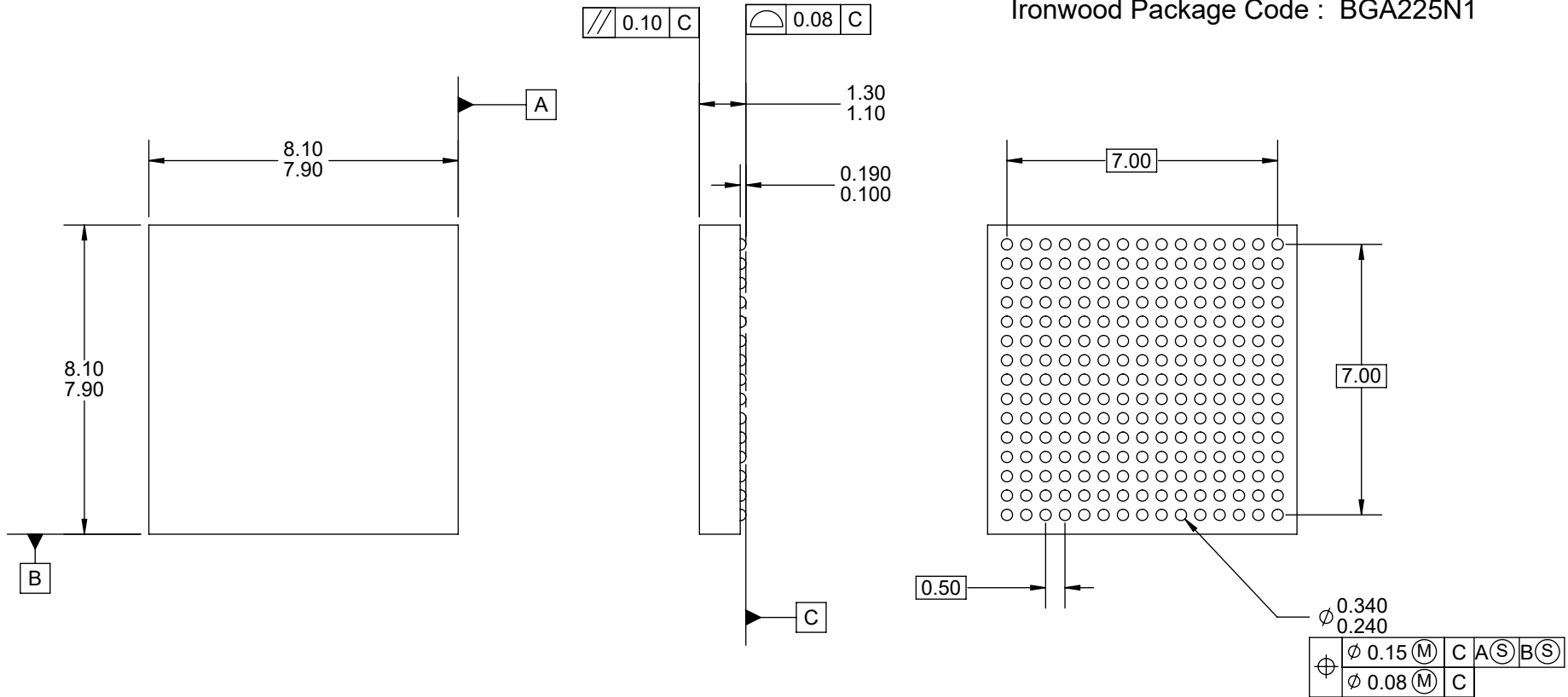
Description: Recommended PCB Layout

Primary dimension units are millimeters, Secondary dimension units are [inches], Weight is in grams.

Tolerances: Hole diameters $\pm 0.03\text{mm}$ [$\pm 0.001"$], Pitches (from true position) $\pm 0.025\text{mm}$ [$\pm 0.001"$], substrate thickness tolerance $\pm 10\%$, all other tolerances $\pm 0.13\text{mm}$ [$\pm 0.005"$] unless stated otherwise. Materials and specifications are subject to change without notice.

 GT-BGA-2062 Drawing Ironwood Electronics, Inc. Tele: (800) 404-0204 www.ironwoodelectronics.com	Material: N/A Finish: N/A Weight: 11.70	STATUS: Released	SHEET: 2 OF 4	REV. A
		ENG: M. A. Fedde	DRAWN BY: M. Raske	SCALE: 6:1
		FILE: GT-BGA-2062 Dwg	DATE: 05/2/2017	

Ironwood Package Code : BGA225N1




Dimensions are in millimeters.

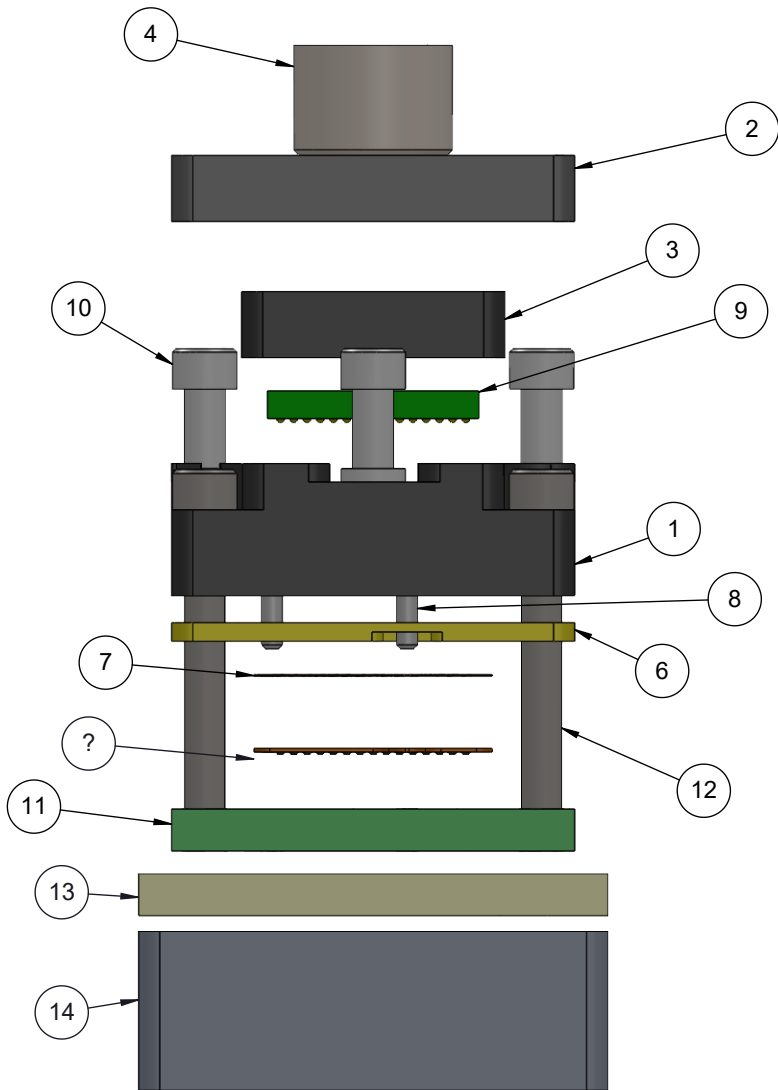
1. Interpret dimensions and tolerances per ASME Y14.5M-1994.
2. Dimension b is measured at the maximum solder ball diameter, parallel to datum plane Z.
3. Datum Z (seating plane) is defined by the spherical crowns of the solder balls.
4. Parallelism measurement shall exclude any effect of mark on top surface of package.

Description: Compatible Device

Primary dimension units are millimeters, Secondary dimension units are [inches], Weight is in grams.

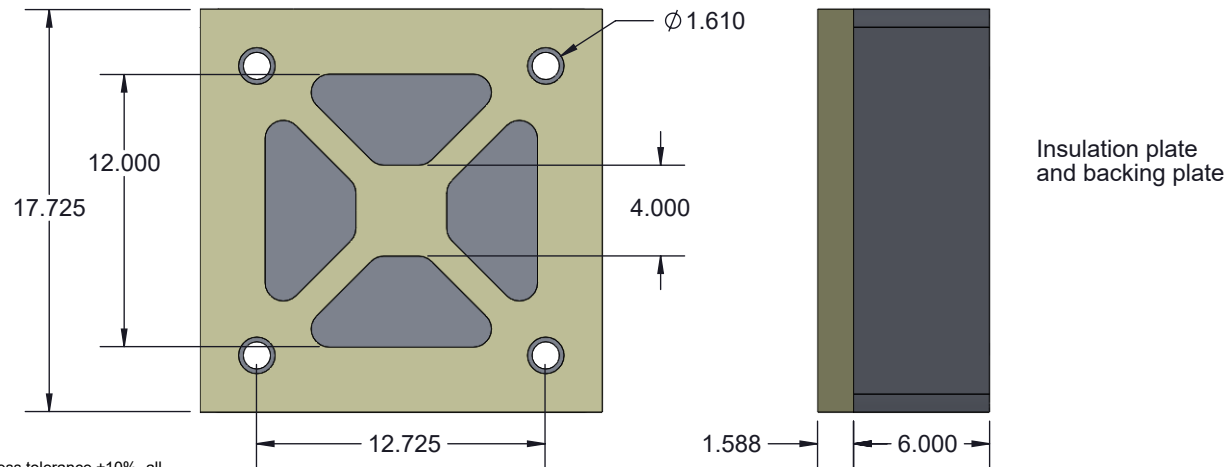
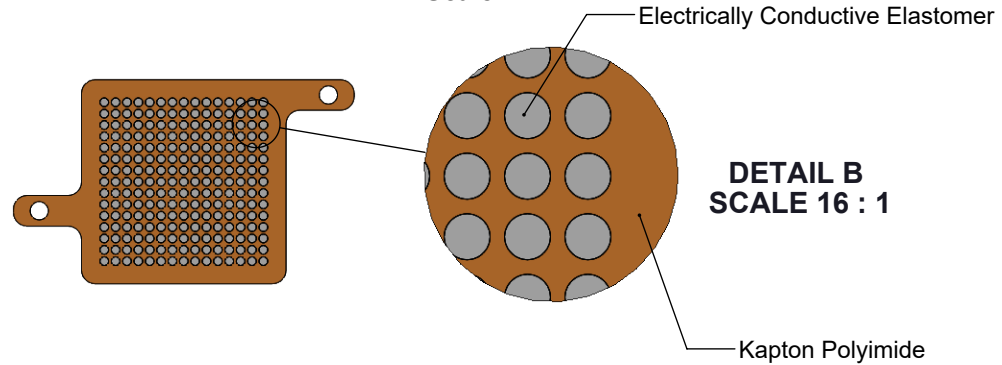
Tolerances: Hole diameters $\pm 0.03\text{mm}$ [± 0.001 "], Pitches (from true position) $\pm 0.025\text{mm}$ [± 0.001 "], substrate thickness tolerance $\pm 10\%$, all other tolerances $\pm 0.13\text{mm}$ [± 0.005 "] unless stated otherwise. Materials and specifications are subject to change without notice.

 GT-BGA-2062 Drawing Ironwood Electronics, Inc. Tele: (800) 404-0204 www.ironwoodelectronics.com	Material: N/A Finish: N/A Weight: 11.70	STATUS: Released ENG: M. A. Fedde FILE: GT-BGA-2062 Dwg	SHEET: 3 OF 4 DRAWN BY: M. Raske DATE: 05/2/2017	REV. A SCALE: 6:1



ITEM NO.	DESCRIPTION	Material
1	Socket Base	7075-T6 Aluminum Alloy
2	Socket Lid	7075-T6 Aluminum Alloy
3	Compression Plate	7075-T6 Aluminum Alloy
4	Compression Screw M6x1	Stainless Steel (18-8)
5	GT-BGA225, 8MM, 15X15, 0.5	Conductive Elastomer
6	IC Guide	Torlon 4203
7	Ball Guide	Kapton Polyimide
8	Dowel Pin, 1/32" x 3/16", SS	Chrome Stainless Steel
9	Test Chip	High Temp FR4
10	#0-80 Shoulder Screw, 2.29mm thread length	Stainless Steel (303)
11	Test PCB	FR4 High temp
12	#0-80 x 0.5, SH Cap Screw	Alloy Steel
13	Insulation Plate	FR4 High temp
14	Backing Plate, 17.73 X 17.73	7075-T6 Aluminum Alloy


Elastomer Carrier with conductive elastomer
Scale 2:1



Description: Socket, Elastomer Carrier

Primary dimension units are millimeters, Secondary dimension units are [inches], Weight is in grams.

Tolerances: Hole diameters $\pm 0.03\text{mm}$ [$\pm 0.001"$], Pitches (from true position) $\pm 0.025\text{mm}$ [$\pm 0.001"$], substrate thickness tolerance $\pm 10\%$, all other tolerances $\pm 0.13\text{mm}$ [$\pm 0.005"$] unless stated otherwise. Materials and specifications are subject to change without notice.

 <p>GT-BGA-2062 Drawing Ironwood Electronics, Inc. Tele: (800) 404-0204 www.ironwoodelectronics.com</p>	<p>Material: N/A Finish: N/A Weight: 11.70</p>	<p>STATUS: Released ENG: M. A. Fedde FILE: GT-BGA-2062 Dwg</p>	<p>SHEET: 4 OF 4 DRAWN BY: M. Raske DATE: 05/2/2017</p>	<p>REV. A SCALE: 3.5:1</p>
--	--	--	---	--------------------------------