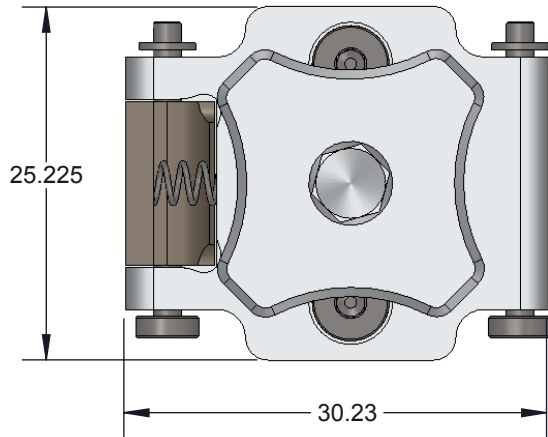


# GHz BGA Socket - Direct mount, solderless

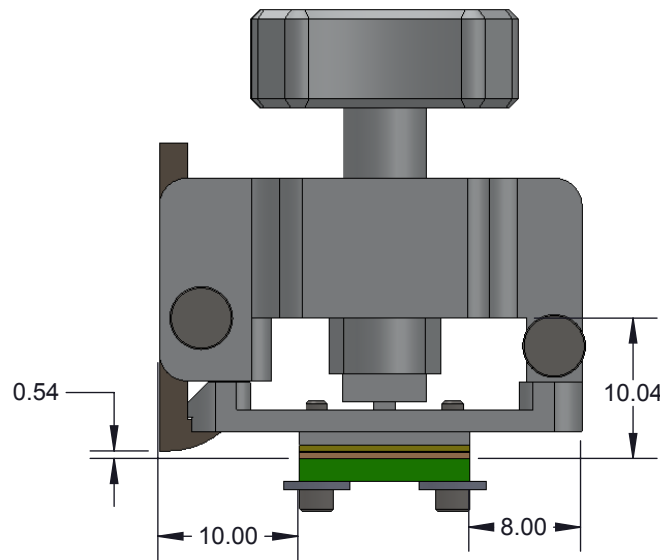
## Features

- Directly mounts to target PCB (needs tooling holes) with hardware
- High speed, reliable Elastomer connection
- Minimum real estate required
- Compression plate distributes forces evenly
- Hinged clamshell socket lid

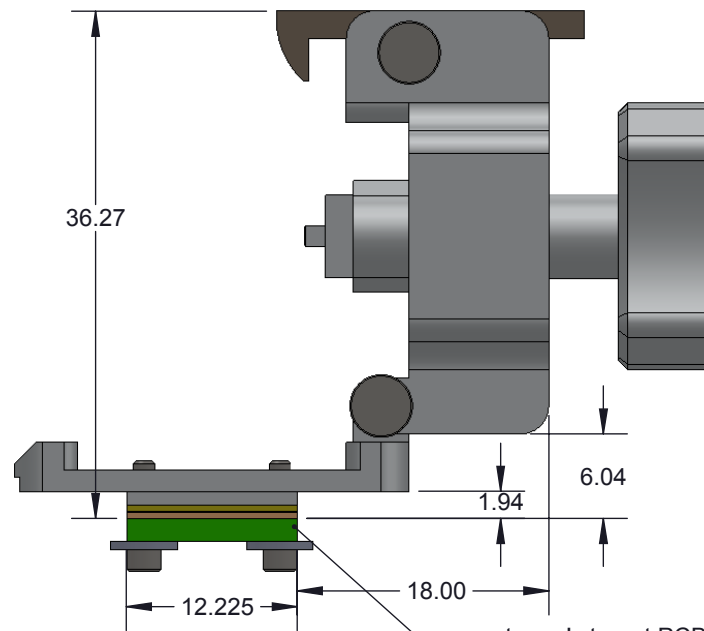


TOP VIEW

Recommended Torque = 6 in oz

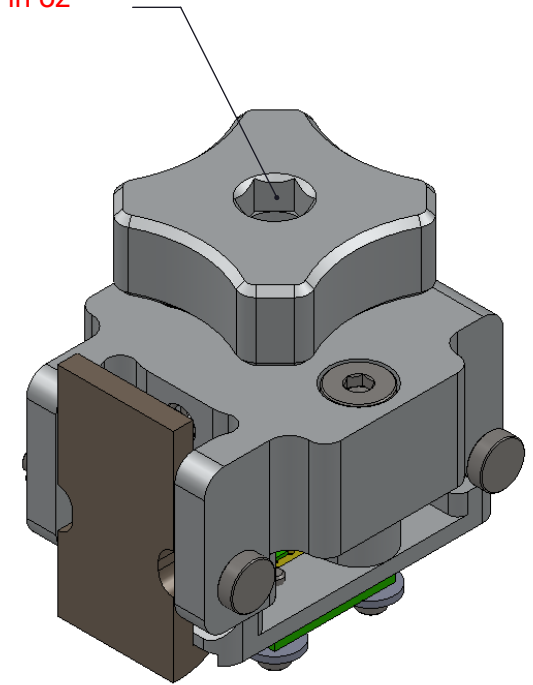


SIDE VIEW



SIDE VIEW


customer's target PCB



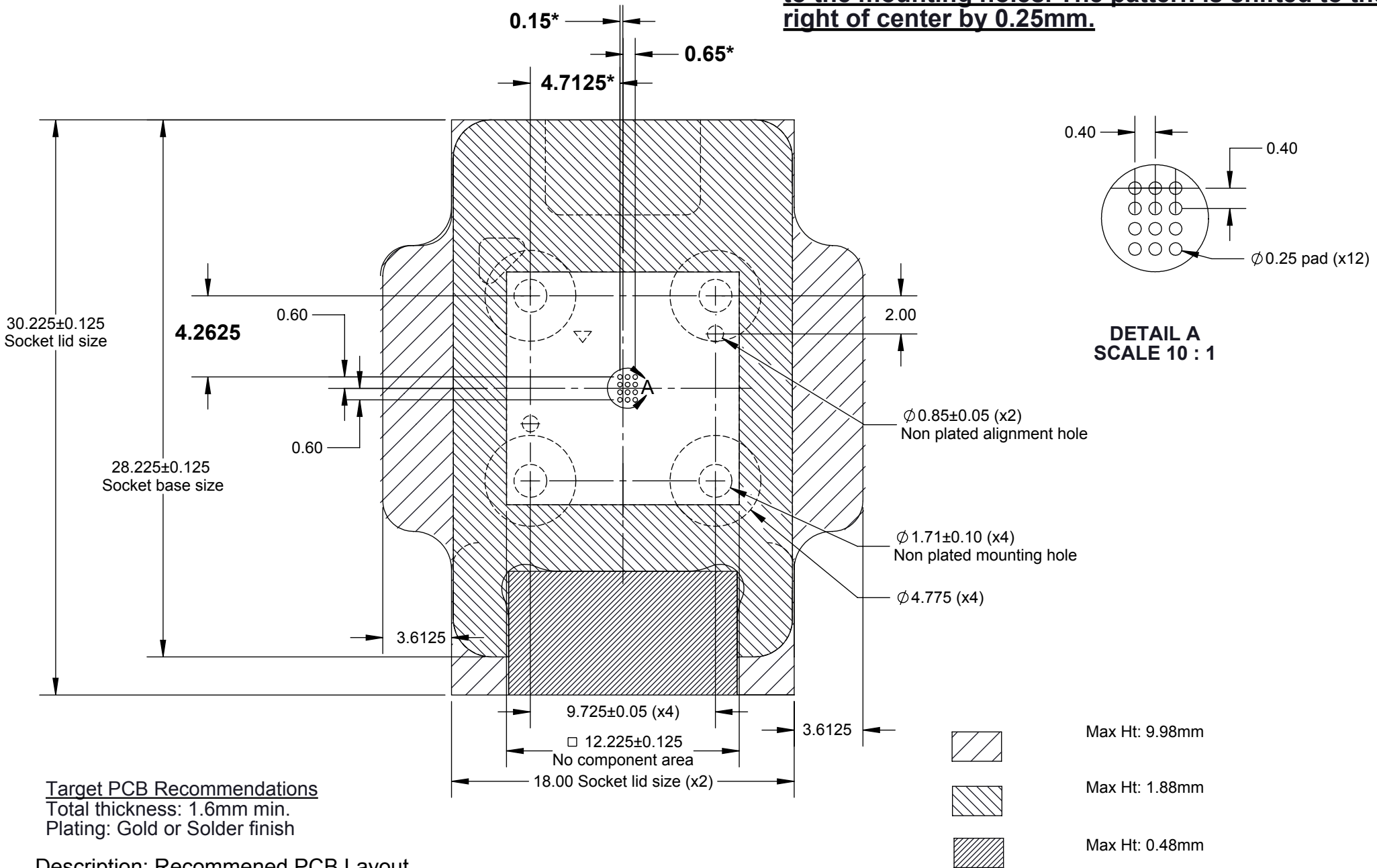
## Description: Clam shell socket for 1.17x1.57mm 3x4 0.4mm pitch BGA12


Primary dimension units are millimeters, Secondary dimension units are [inches], Weight is in grams.

Tolerances: Hole diameters  $\pm 0.03\text{mm}$  [ $\pm 0.001"$ ], Pitches (from true position)  $\pm 0.025\text{mm}$  [ $\pm 0.001"$ ], substrate thickness tolerance  $\pm 10\%$ , all other tolerances  $\pm 0.13\text{mm}$  [ $\pm 0.005"$ ] unless stated otherwise. Materials and specifications are subject to change without notice.

 <b>CG-BGA-5024 Drawing</b> Ironwood Electronics, Inc. Tele: (800) 404-0204 www.ironwoodelectronics.com	Material: N/A Finish: N/A Weight: 33.10	STATUS: Released ENG: E. Smolentseva FILE: CG-BGA-5024 Dwg	SHEET: 1 OF 4 DRAWN BY: M. Raske DATE: 12/22/2014	REV. B SCALE: 1.85:1

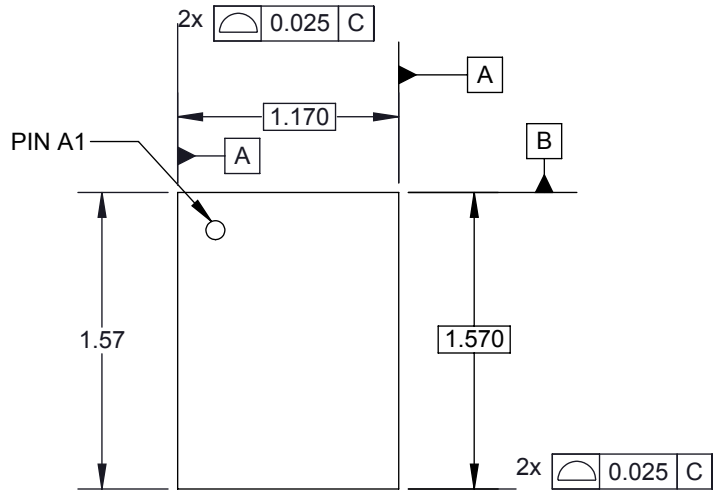
**\*Note: BGA pattern is not symmetrical with respect to the mounting holes. The pattern is shifted to the right of center by 0.25mm.**



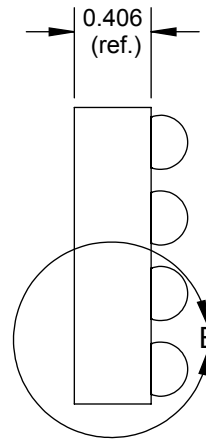
 <b>CG-BGA-5024 Drawing</b> Ironwood Electronics, Inc. Tele: (800) 404-0204 www.ironwoodelectronics.com	Material: N/A Finish: N/A Weight: 33.10	STATUS: Released	SHEET: 2 OF 4	REV. B
		ENG: E. Smolentseva	DRAWN BY: M. Raske	SCALE: 3.75:1
		FILE: CG-BGA-5024 Dwg	DATE: 12/22/2014	

# Ironwood Package Code: BGA12B

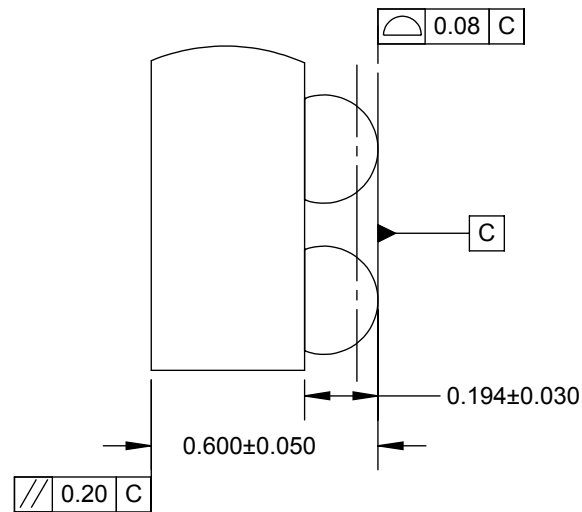
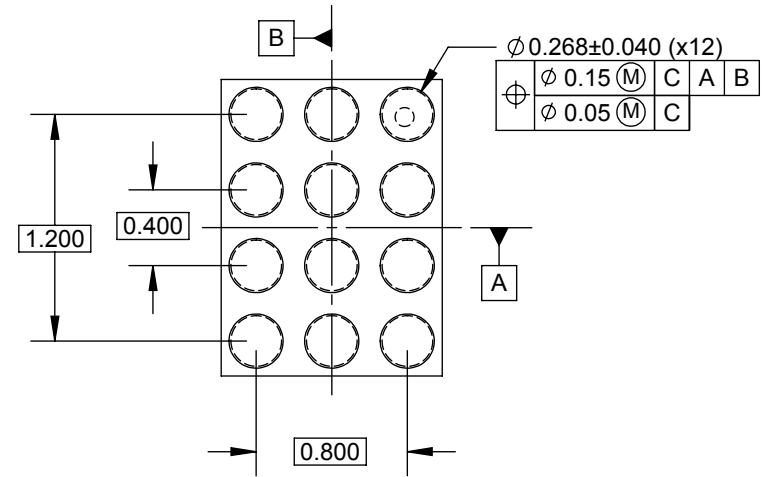
**TOP VIEW**



**SIDE VIEW**



**BOTTOM VIEW**




**Description: Compatible device**

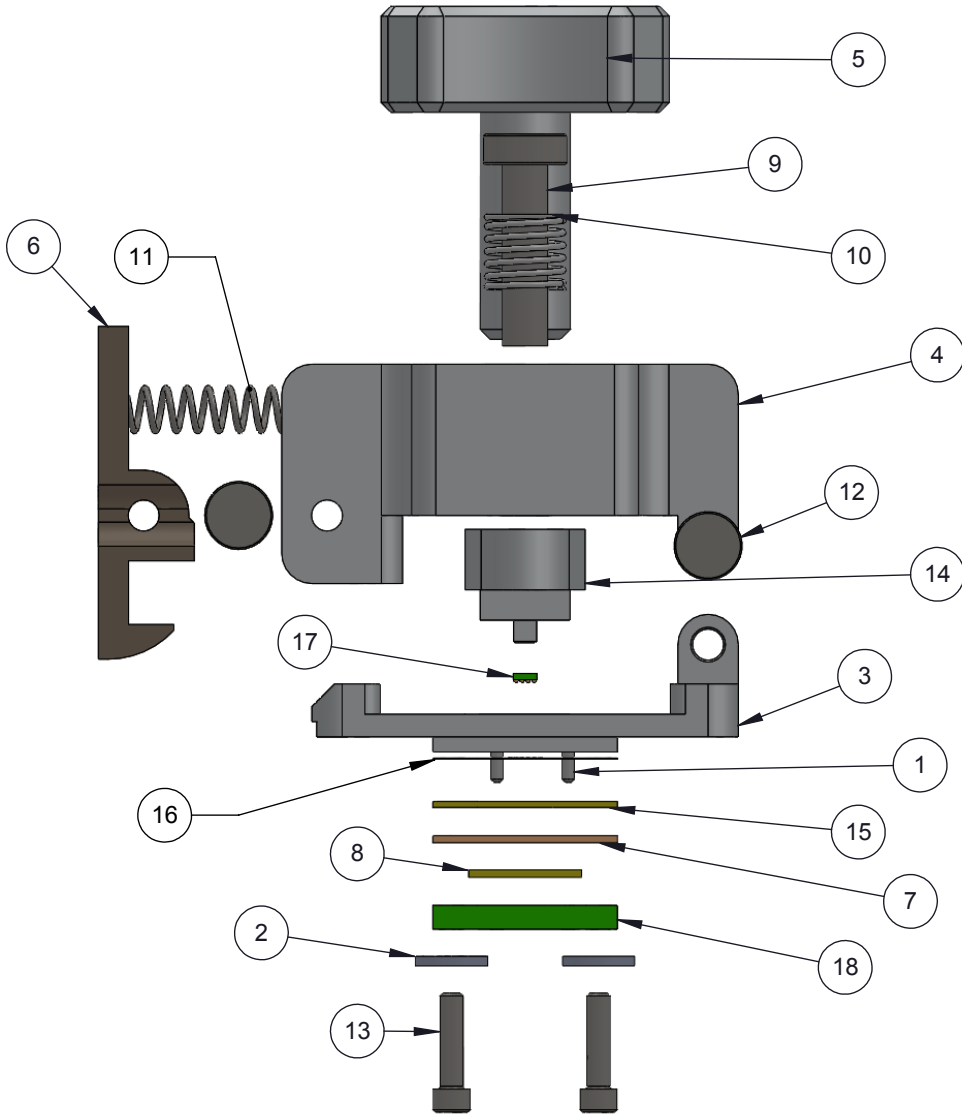
Primary dimension units are millimeters, Secondary dimension units are [inches], Weight is in grams.

**DETAIL B  
SCALE 50 : 1**

**Tolerances:**

.xx ±0.05  
.xxx ±0.012

 <b>CG-BGA-5024 Drawing</b> Ironwood Electronics, Inc. Tele: (800) 404-0204 www.ironwoodelectronics.com	Material: N/A Finish: N/A Weight: 33.10	STATUS: Released	SHEET: 3 OF 4	REV. B
		ENG: E. Smolentseva	DRAWN BY: M. Raske	SCALE: 25:1
		FILE: CG-BGA-5024 Dwg	DATE: 12/22/2014	




ITEM NO.	DESCRIPTION	Material
1	Alignment Pin 1/32" dia. x 1/8" lng	Chrome Stainless Steel
2	Washer, #0 x .025", Nylon	Nylon 6/6
3	Socket Base	7075-T6 Aluminum Alloy
4	Clam Shell Lid	7075-T6 Aluminum Alloy
5	Fluted Knob Compression Screw	7075-T6 Aluminum Alloy
6	Latch, Ni plated	7075-T6 Aluminum Alloy
7	Elastomer Guide 7x7mm	Ultem
8	0.5mm thick, 0.05x 0.05mm pitch, 50mm sqr, Z-axis conductive angled elastomer	20 Micron dia gold plated brass filaments arranged symettrically in a silicon rubber (63.5 degree angle), Thickness: 0.5mm
9	Screw, M3 x 12mm, Low Head Cap, SS	18-8 Stainless Steel
10	Spring Clamshell lid assembly	Steel Music Wire
11	Precision Compression Spring, Zinc-Plated Music Wire, 1/2" Length, .12" OD, .016" Wire	Zinc Plated Music Wire
12	Hinge Pin and Snap Ring, 2mm OD, 19mm long, SS	Stainless Steel (ferritic)
13	#0-80 X .25 LG, SOC HD CAP SCREW, ALLOY STL, BLK OXIDE	Alloy Steel
14	Compression Plate with step	7075-T6 Aluminum Alloy
15	IC Guide	Torlon 4203
16	Ball Guide	Kapton Polyimide/Cirlex
17	Customer's device	FR4 High temp
18	Customer's target PCB	FR4 High temp

### Description: Socket Detail

Primary dimension units are millimeters, Secondary dimension units are [inches], Weight is in grams.

Tolerances: Hole diameters  $\pm 0.03\text{mm}$  [ $\pm 0.001"$ ], Pitches (from true position)  $\pm 0.025\text{mm}$  [ $\pm 0.001"$ ], substrate thickness tolerance  $\pm 10\%$ , all other tolerances  $\pm 0.13\text{mm}$  [ $\pm 0.005"$ ] unless stated otherwise. Materials and specifications are subject to change without notice.

Rev	Date	Initials	Description
A	9/3/14	ELS	Original
B	06/15/15	DH	Updated page 1 and 2 to show updated socket width dimension.

 <b>CG-BGA-5024 Drawing</b> Ironwood Electronics, Inc. Tele: (800) 404-0204 www.ironwoodelectronics.com	Material: N/A Finish: N/A Weight: 33.10	STATUS: Released	SHEET: 4 OF 4	REV. B
		ENG: E. Smolentseva	DRAWN BY: M. Raske	SCALE: 2:1
		FILE: CG-BGA-5024 Dwg	DATE: 12/22/2014	