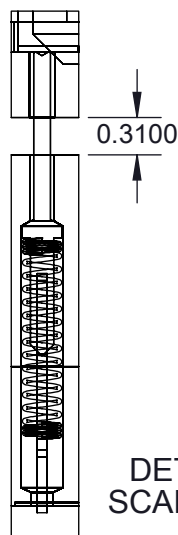
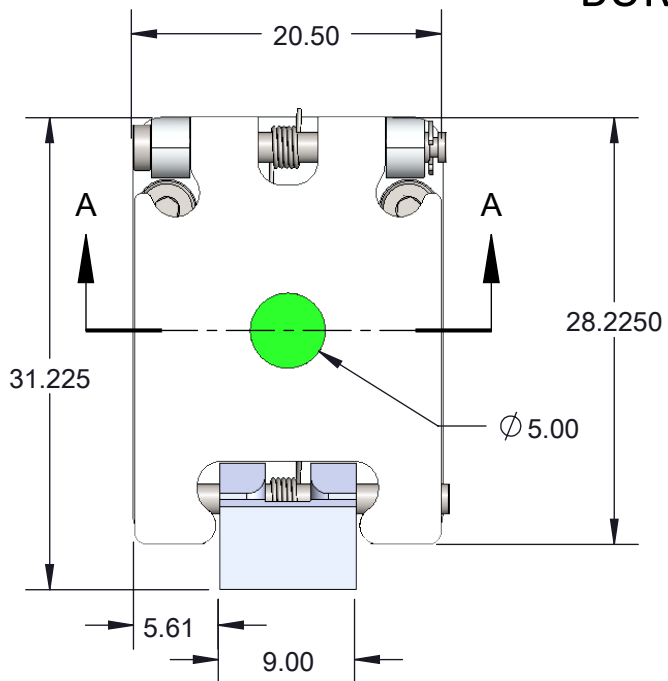


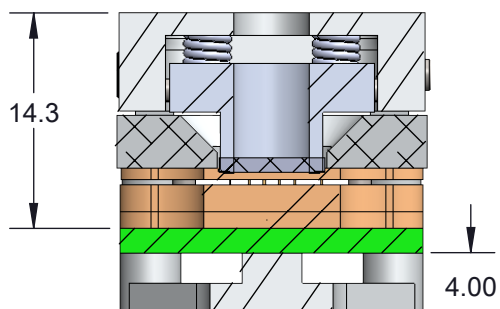
Clamshell SBT-QFN DIRECT MOUNT, SOLDERLESS SOCKET FOR BURN-IN AND TEST APPLICATIONS



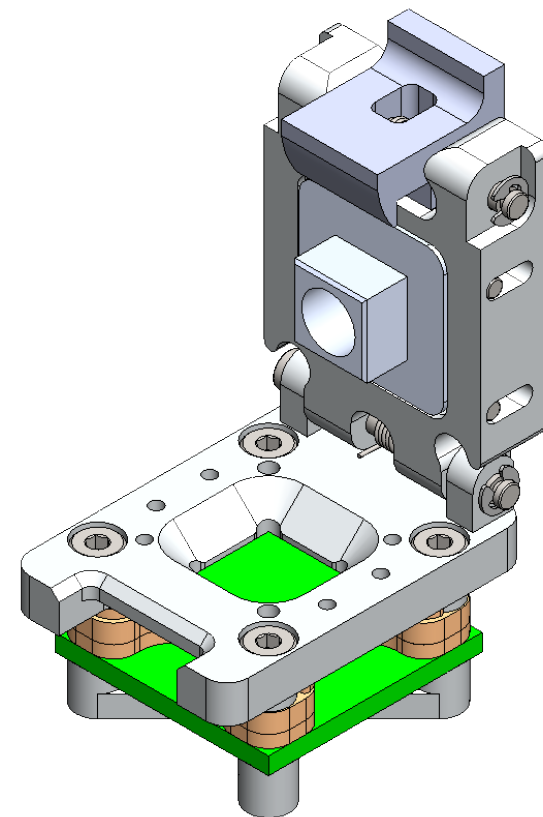
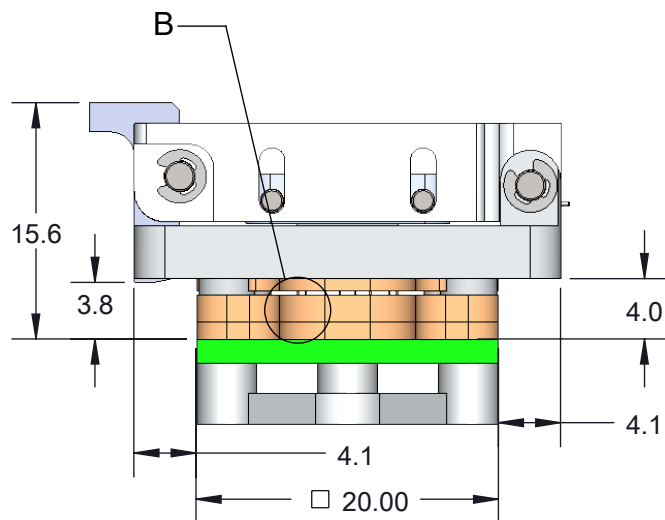
FEATURES:

- Wide temperature range (-55C to +180C)
- High current capability (up to 4A)
- Excellent signal integrity at high frequencies
- Low and stable contact resistance for reliable production yield
- Highly compliant to accommodate wide co-planarity variations
- Automated probe manufacturing enables low cost and short lead time

DETAIL B
SCALE 16 : 1




SECTION A-A

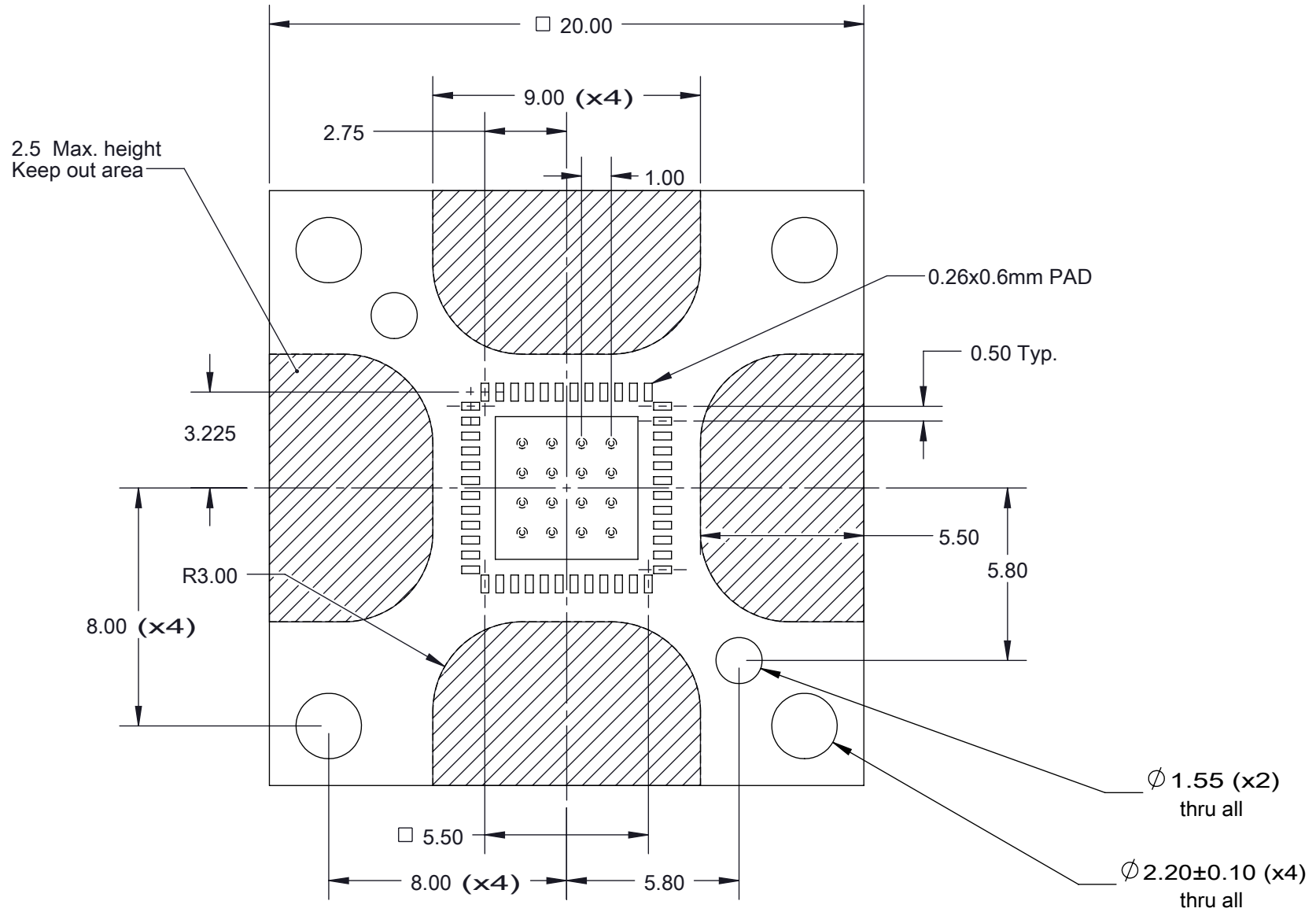


Description: Socket Assembly

Primary dimension units are millimeters, Secondary dimension units are [inches], Weight is in grams.

Tolerances: Hole diameters $\pm 0.03\text{mm}$ [$\pm 0.001''$], Pitches (from true position) $\pm 0.025\text{mm}$ [$\pm 0.001''$], substrate thickness tolerance $\pm 10\%$, all other tolerances $\pm 0.13\text{mm}$ [$\pm 0.005''$] unless stated otherwise. Materials and specifications are subject to change without notice.


 CBT-QFN-7046 Drawing Ironwood Electronics, Inc. Tele: (800) 404-0204 www.ironwoodelectronics.com	Material: Material <not specified> Finish: Weight: 17.93	STATUS: Released ENG: V. Panavala FILE: CBT-QFN-7046 Dwg	SHEET: 1 OF 5 DRAWN BY: M. Raske DATE: 02/23/2016	REV. A SCALE: 2:1



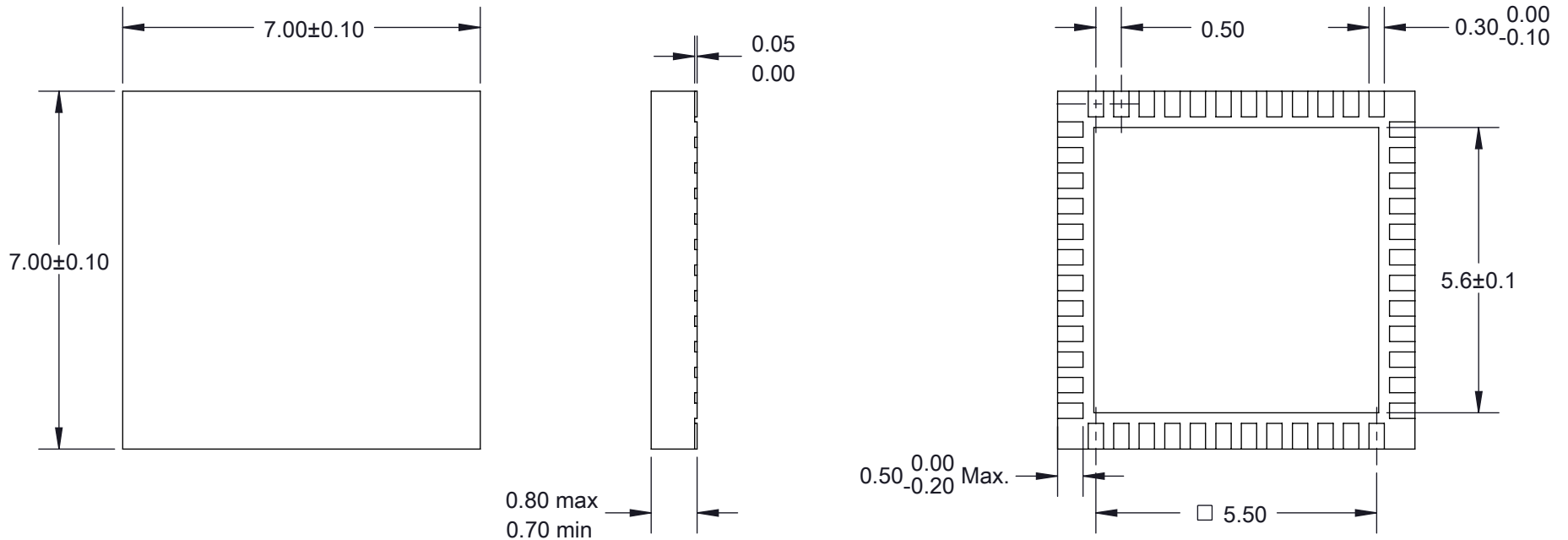
Description: Recommended PCB Layout

Primary dimension units are millimeters, Secondary dimension units are [inches], Weight is in grams.

Tolerances: Hole diameters $\pm 0.03\text{mm}$ [$\pm 0.001"$], Pitches (from true position) $\pm 0.025\text{mm}$ [$\pm 0.001"$], substrate thickness tolerance $\pm 10\%$, all other tolerances $\pm 0.13\text{mm}$ [$\pm 0.005"$] unless stated otherwise. Materials and specifications are subject to change without notice.

 CBT-QFN-7046 Drawing Ironwood Electronics, Inc. Tele: (800) 404-0204 www.ironwoodelectronics.com	Material: Material <not specified> Finish: Weight: 17.93	STATUS: Released ENG: V. Panavala FILE: CBT-QFN-7046 Dwg	SHEET: 2 OF 5 DRAWN BY: M. Raske DATE: 02/23/2016	REV. A SCALE: 5:1


Ironwood Package Code : QFN48A

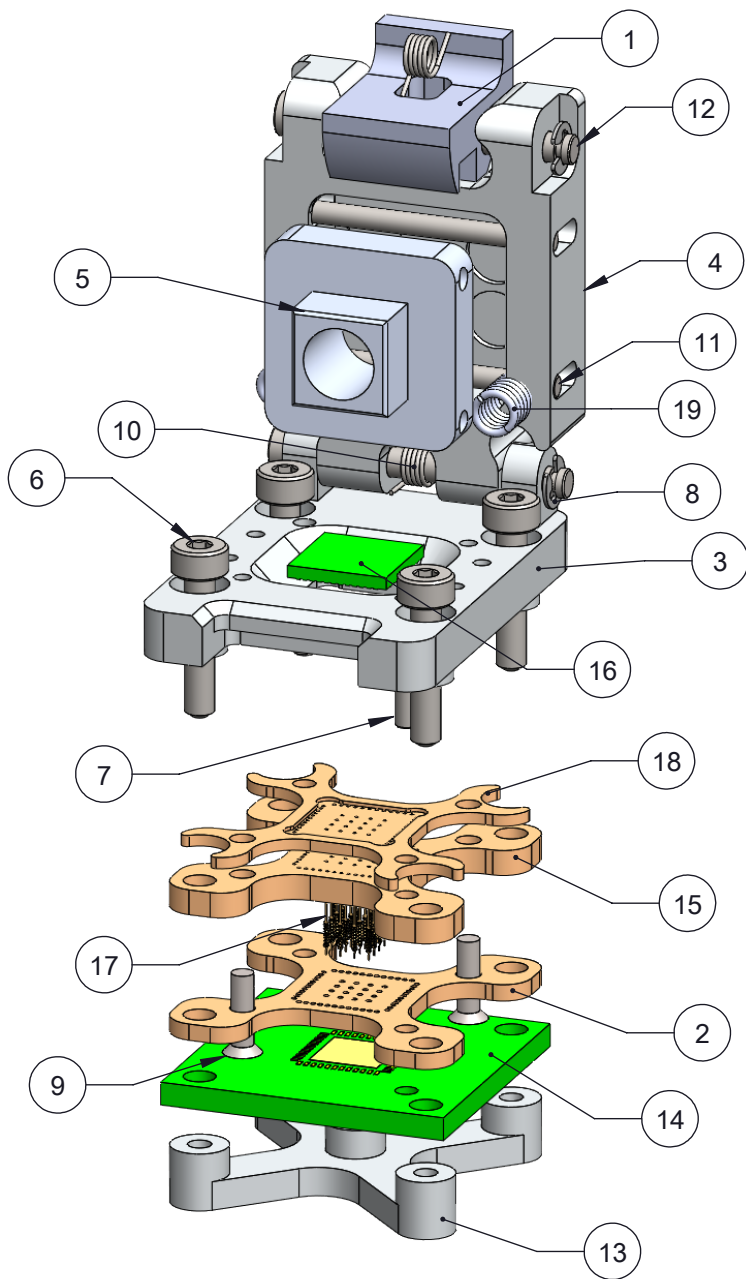


Description: Compatible QFN

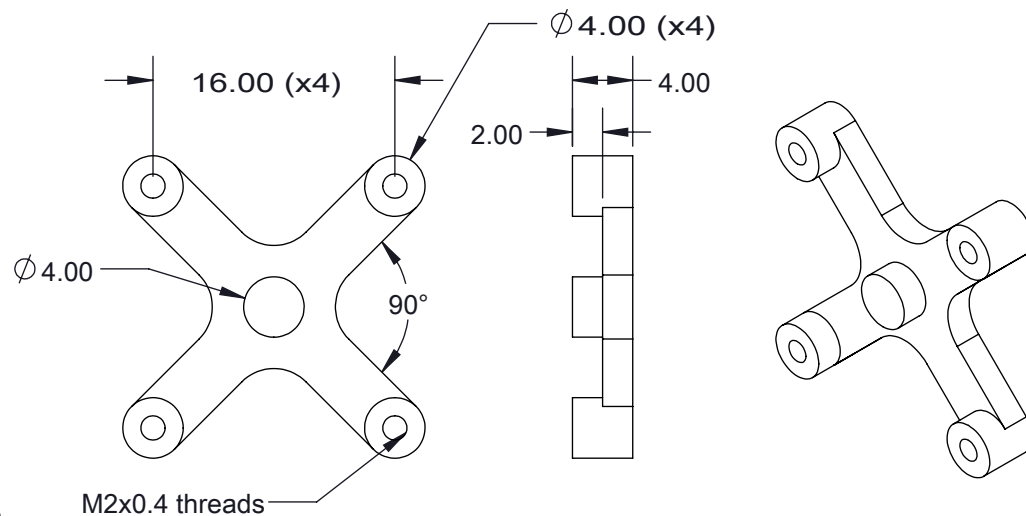
Primary dimension units are millimeters, Secondary dimension units are [inches], Weight is in grams.

Tolerances: Hole diameters ± 0.03 mm [± 0.001 "], Pitches (from true position) ± 0.025 mm [± 0.001 "], substrate thickness tolerance $\pm 10\%$, all other tolerances ± 0.13 mm [± 0.005 "] unless stated otherwise. Materials and specifications are subject to change without notice.

 CBT-QFN-7046 Drawing Ironwood Electronics, Inc. Tele: (800) 404-0204 www.ironwoodelectronics.com	Material: Material <not specified> Finish: Weight: 17.93	STATUS: Released	SHEET: 3 OF 5	REV. A
		ENG: V. Panavala	DRAWN BY: M. Raske	SCALE: 8:1
		FILE: CBT-QFN-7046 Dwg	DATE: 02/23/2016	




ITEM NO.	DESCRIPTION	Material
1	Clamshell Latch Snap type 9mm wide	7075-T6 Alumium Alloy
2	Bottom Pogo Guide 0.5mm pitch QFN48A	Semitron MDS 100
3	Socket Base 7x7 snap lid type	7075-T6 Aluminum Alloy
4	Clamshell snap Socket Lid 12mm IC	7075-T6 Aluminum Alloy/Ultem
5	Compression Plate 7x7mm	7075-T6 Aluminum Alloy
6	Screw, M2 x 10mm, Cap, SS STL	AISI 316 Stainless Steel Sheet (SS)
7	Dowel Pin, M1.5 X 5mm LG, Hardened Steel	AISI 347 Annealed Stainless Steel (SS)
8	Snap ring for 2mm Hinge pin 0.15" OD	
9	#0-80, 90 deg., head pin guide screw, Peek material 5.5715mm overall Length	PEEK unfilled
10	Torsion Spring, 180 0.109" OD, Ccw/Rh	Steel Music Wire
11	Dowel Pin, M1.5 X 20mm LG, 18-8 SS	AISI 347 Annealed Stainless Steel (SS)
12	2mm diameter Hinge Pin, 20 mm long	Alloy Steel
13	Backing Plate 5 post	7075-T6 Alumium Alloy
14	Target PCB QFN48 0.5mm pitch 7mm	
15	Top Pogo Guide 0.5mm pitch QFN48A	Semitron MDS 100
16	QFN48A chip	N/A
17	Stamped Pin, 0.4mm SBT-BGA	N/A
18	Floating Guide 0.5mm pitch QFN48A	Semitron MDS 100
19	Coil Spring	Material <not specified>

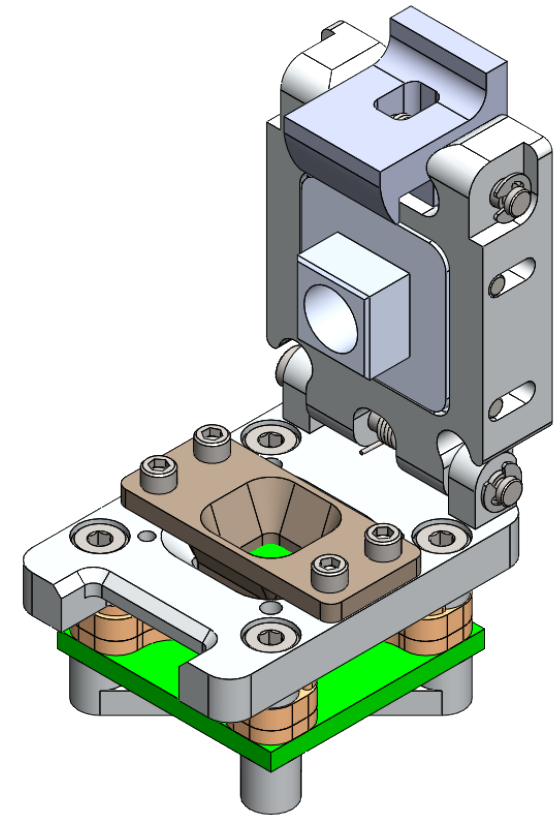
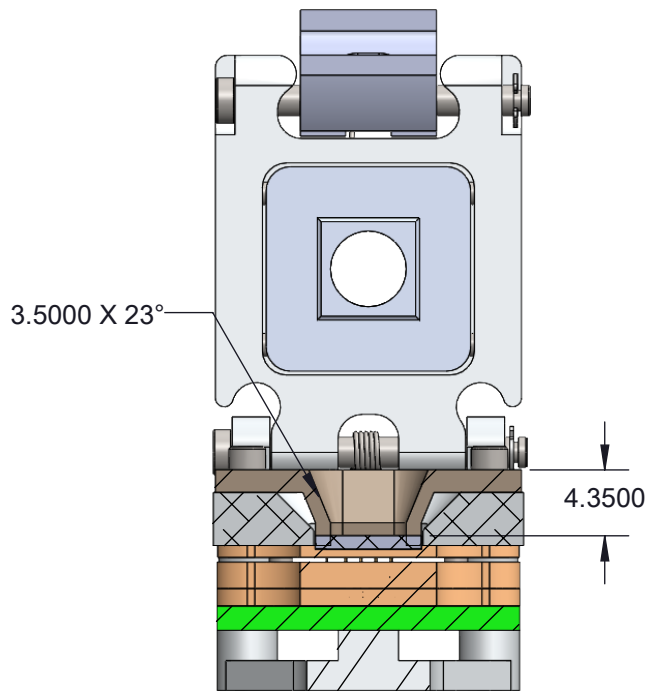
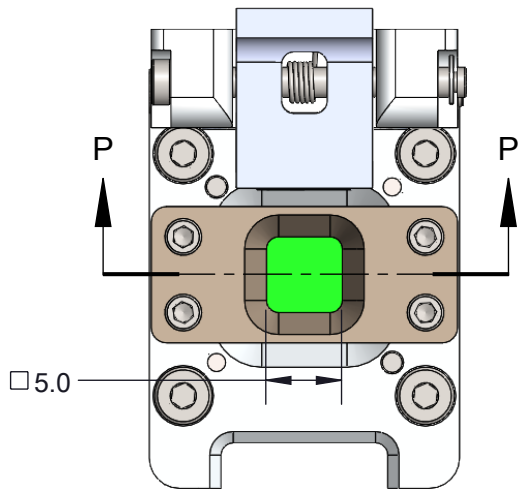


Description: Socket Specification

Primary dimension units are millimeters, Secondary dimension units are [inches], Weight is in grams.

Tolerances: Hole diameters $\pm 0.03\text{mm}$ [$\pm 0.001''$], Pitches (from true position) $\pm 0.025\text{mm}$ [$\pm 0.001''$], substrate thickness tolerance $\pm 10\%$, all other tolerances $\pm 0.13\text{mm}$ [$\pm 0.005''$] unless stated otherwise. Materials and specifications are subject to change without notice.

 CBT-QFN-7046 Drawing Ironwood Electronics, Inc. Tele: (800) 404-0204 www.ironwoodelectronics.com	Material: Material <not specified> Finish: Weight: 17.93	STATUS: Released ENG: V. Panavala FILE: CBT-QFN-7046 Dwg	SHEET: 4 OF 5 DRAWN BY: M. Raske DATE: 02/23/2016	REV. A SCALE: 2:1



Description: Socket Assembly(2)

Primary dimension units are millimeters, Secondary dimension units are [inches], Weight is in grams.

Tolerances: Hole diameters $\pm 0.03\text{mm}$ [$\pm 0.001''$], Pitches (from true position) $\pm 0.025\text{mm}$ [$\pm 0.001''$], substrate thickness tolerance $\pm 10\%$, all other tolerances $\pm 0.13\text{mm}$ [$\pm 0.005''$] unless stated otherwise. Materials and specifications are subject to change without notice.

<p>CBT-QFN-7046 Drawing Ironwood Electronics, Inc. Tele: (800) 404-0204 www.ironwoodelectronics.com</p>	<p>Material: Material <not specified> Finish: Weight: 17.93</p>	<p>STATUS: Released ENG: V. Panavala FILE: CBT-QFN-7046 Dwg</p>	<p>SHEET: 5 OF 5 DRAWN BY: M. Raske DATE: 02/23/2016</p>	<p>REV. A SCALE: 2:1</p>
---	---	---	--	---------------------------------------