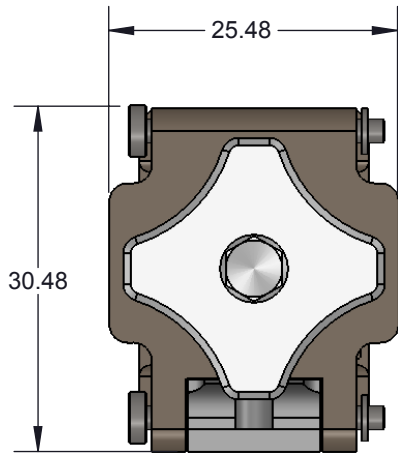


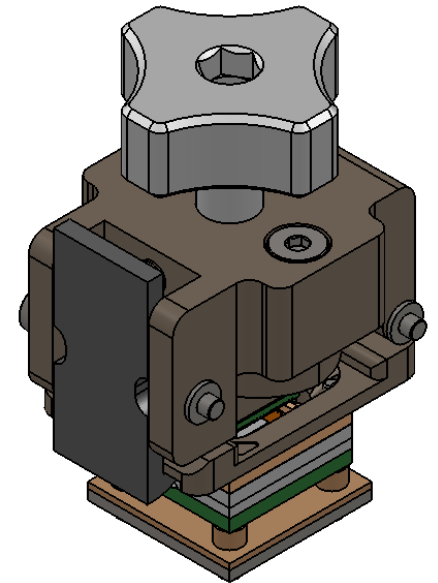
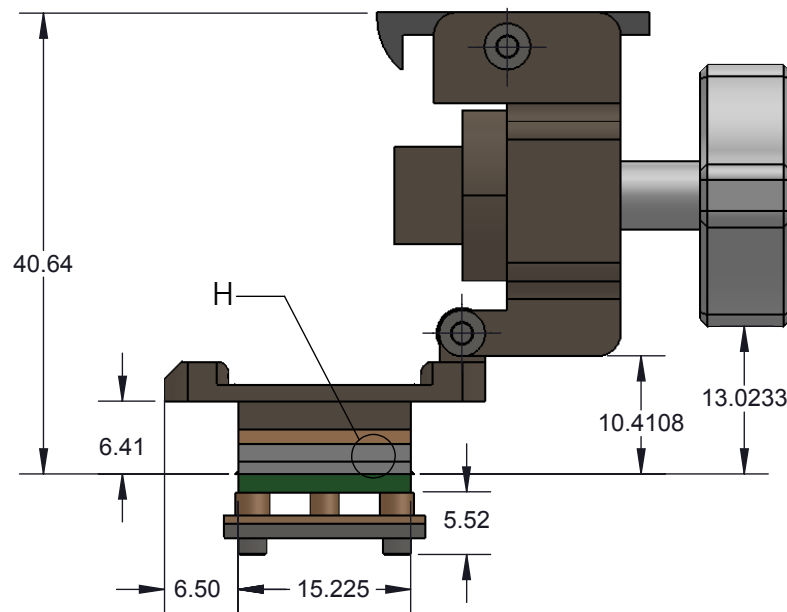
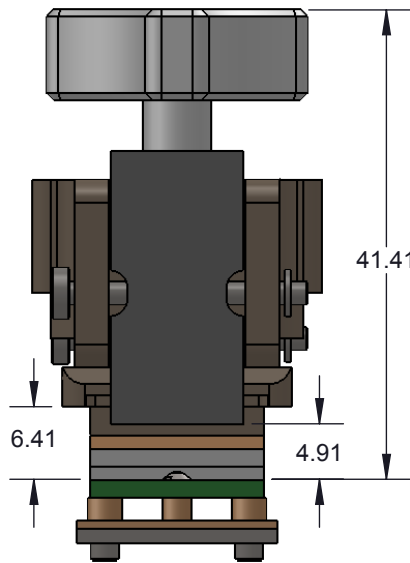
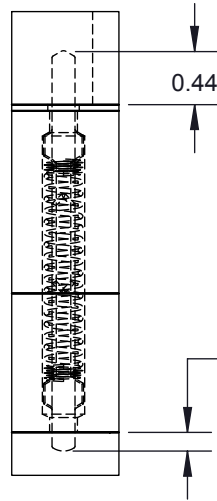
# CBT-QFN DIRECT MOUNT, SOLDERLESS SOCKET FOR BURN-IN AND TEST APPLICATIONS

## FEATURES:

- Wide temperature range (-55C to +155C)
- High current capability (up to 4A)
- Excellent signal integrity at high frequencies
- Low and stable contact resistance for reliable production yield
- Highly compliant to accommodate wide co-planarity variations
- Automated probe manufacturing enables low cost and short lead time



**DETAIL H  
SCALE 16 : 1**



DESCRIPTION: CBT-QFN76 9x9mm 0.4mm pitch

Primary dimension units are millimeters, Secondary dimension units are [inches].  
Tolerances: diameters  $\pm 0.03\text{mm}$  [ $\pm 0.001\text{"}]$ , all other tolerances  $\pm 0.13\text{mm}$  [ $\pm 0.005\text{"}]$  unless stated otherwise.  
Materials and specifications are subject to change without notice.

## CBT-QFN-7023 Drawing

Ironwood Electronics, Inc.  
Tele: (800) 404-0204  
www.ironwoodelectronics.com

WEIGHT: 42.15  
MATERIAL: N/A  
FINISH: N/A

STATUS: Released

Drawn By: D. Hauer

File: CBT-QFN-7023 Dwg

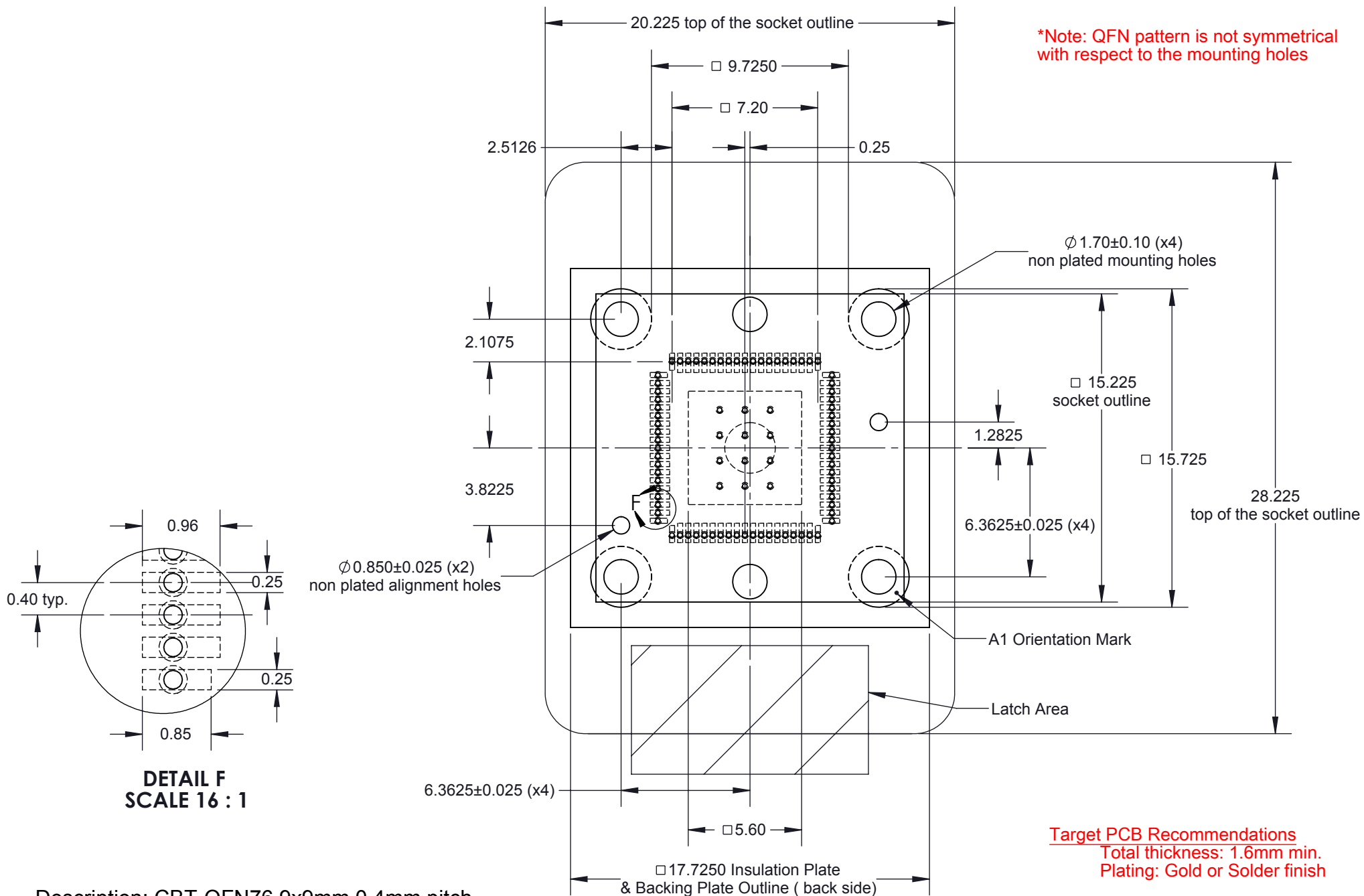
SHEET: 1 of 4

SCALE: 3:2

DATE: 06/25/12

REV. A






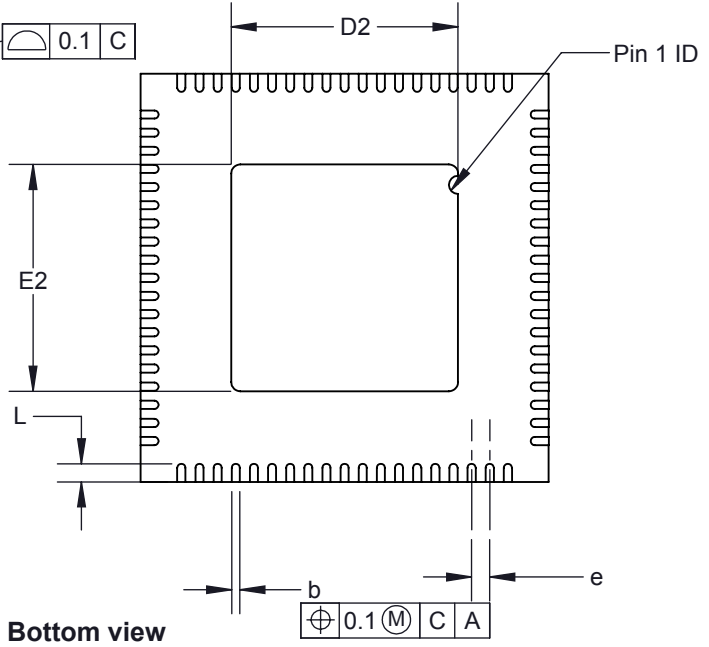
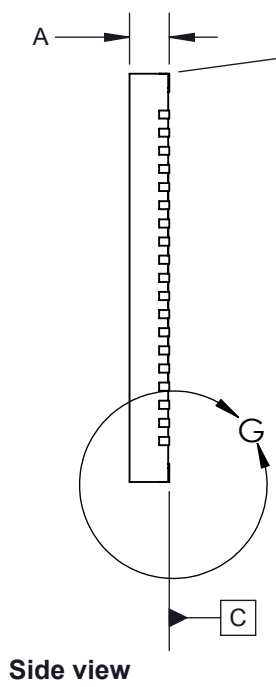
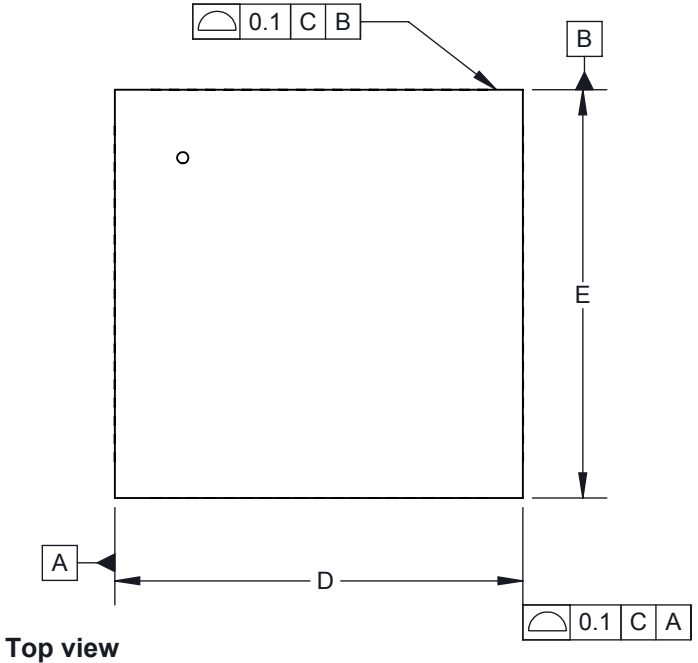
**Description: CBT-QFN76 9x9mm 0.4mm pitch**

Primary dimension units are millimeters, Secondary dimension units are [inches].

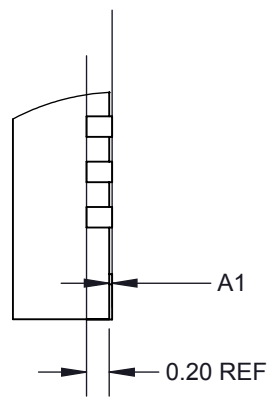
Tolerances: Hole diameters ±0.03mm [±0.001"], Pitches (from true position) ±0.025mm [±0.001"], substrate thickness tolerance ±10%, all other tolerances ±0.13mm [±0.005"] unless stated otherwise. Materials and specifications are subject to change without notice.

 <b>CBT-QFN-7023 Drawing</b> Ironwood Electronics, Inc. Tele: (800) 404-0204 www.ironwoodelectronics.com	Material: N/A Finish: N/A Weight: 42.15	STATUS: Released DRAWN BY: D. Hauer FILE: CBT-QFN-7023 Dwg	SHEET: 2 OF 4 SCALE: 4:1 DATE: 06/25/12	REV. A

**IRONWOOD PACKAGE CODE: QFN76A**




**DETAIL G  
SCALE 15 : 1**

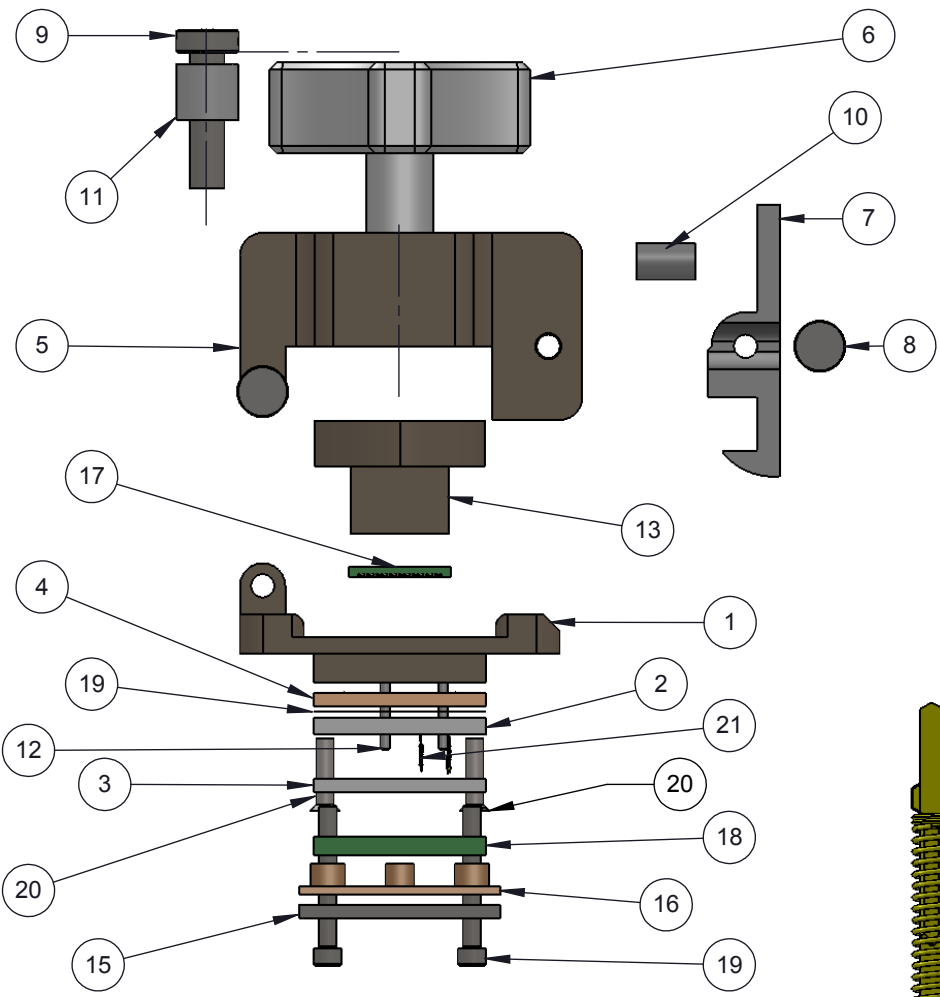


DIM	Minimum	Maximum
A		0.90
A1		0.05
A2		0.70
b	0.13	0.23
D	9.0 BSC	
D2	5.0	
E	9.0 BSC	
E2	5.0	
L	0.30	0.50
e	0.4 BSC	
<b>PIN COUNT</b>		<b>76 + center pad</b>

**Description: CBT-QFN76 9x9mm 0.4mm pitch**

Primary dimension units are millimeters, Secondary dimension units are [inches].  
 Tolerances: Hole diameters ±0.03mm [±0.001"], Pitches (from true position) ±0.025mm [±0.001"], substrate thickness tolerance ±10%, all other tolerances ±0.13mm [±0.005"] unless stated otherwise. Materials and specifications are subject to change without notice.

 CBT-QFN-7023 Drawing Ironwood Electronics, Inc. Tele: (800) 404-0204 www.ironwoodelectronics.com	Material: N/A Finish: N/A Weight: 42.15	STATUS: Released	SHEET: 3 OF 4	REV. A
		DRAWN BY: D. Hauer	SCALE: 6:1	
		FILE: CBT-QFN-7023 Dwg	DATE: 06/25/12	

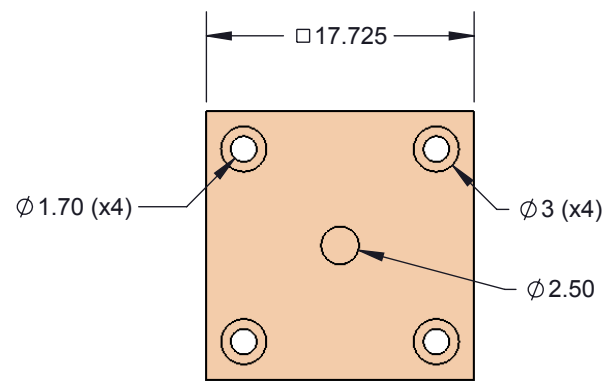


Not shown: #14,

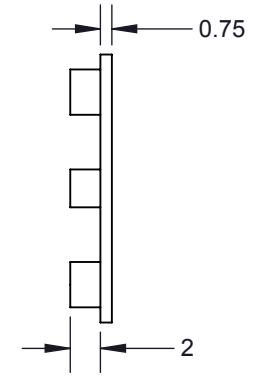


SBT Pin  
scale 16:1

ITEM NO.	DESCRIPTION	Material
1	CBT Socket Base 10mm	7075-T6 Aluminum Alloy
2	SBT Top Spring Pin Guide - QFN76 9mm, 0.4mm pitch	PEEK Ceramic filled
3	SBT Bottom Spring Pin Guide - QFN76 9mm, 0.4mm pitch	PEEK Ceramic filled
4	IC Guide 9mm sqr.; 0.25mm shift	Ultem 1000
5	Clam Shell Socket Lid 10mm IC	7075-T6 Aluminum Alloy
6	M6x1 fluted knob compression screw, Ni plated	7075-T6 Aluminum Alloy
7	Latch 6- 10mm Ni plated	7075-T6 Aluminum Alloy
8	Hinge Pin and Snap Ring, 2mm OD, 19mm long, SS	Stainless Steel (ferritic)
9	Screw, M3 x 12mm, Low Head Cap, SS	18-8 Stainless Steel
10	Precision Compression Spring, Zinc-Plated Music Wire, 1/2" Length, .12" OD, .016" Wire	Zinc Plated Music Wire
11	Spring Clamshell lid assembly	Steel Music Wire
12	Dowel pin, 1/32" X .25", SS	Chrome Stainless Steel
13	CBT Compression Plate 10mm IC	7075-T6 Aluminum Alloy
14	Pin Orientation Guide - QFN76 9mm, 0.4mm pitch	Kapton Polyimide
15	Backing Plate 10mm IC 1.25mm thick, Stainless Steel	Stainless Steel (ferritic)
16	Insulation Plate	Ultem 1000
17	Customer's QFN76 0.4mm pitch, 9x9mm	FR4 Standard
18	Customer's target PCB for 9mm QFN76 0.4mm pitch	FR4 Standard
19	#0-80 x 0.5, SH Cap Screw	18-8 Stainless Steel
20	#0-80X0.25", 90 deg., head pin guide screw, Peek material	PEEK unfilled
21	SBT Pin, 0.4mm pitch	N/A



Insulation Plate Top View  
Scale 2:1




Insulation Plate Side View  
Scale 2:1

**Description: CBT-QFN76 9x9mm 0.4mm pitch**

Primary dimension units are millimeters, Secondary dimension units are [inches].

Tolerances: Hole diameters ±0.03mm [±0.001"], Pitches (from true position) ±0.025mm [±0.001"], substrate thickness tolerance ±10%, all other tolerances ±0.13mm [±0.005"] unless stated otherwise. Materials and specifications are subject to change without notice.

 <b>CBT-QFN-7023 Drawing</b> Ironwood Electronics, Inc. Tele: (800) 404-0204 www.ironwoodelectronics.com	Material: N/A Finish: N/A Weight: 42.15	STATUS: Released DRAWN BY: D. Hauer FILE: CBT-QFN-7023 Dwg	SHEET: 4 OF 4 SCALE: 3:2 DATE: 06/25/12	REV. A
---	---	--	---	--------