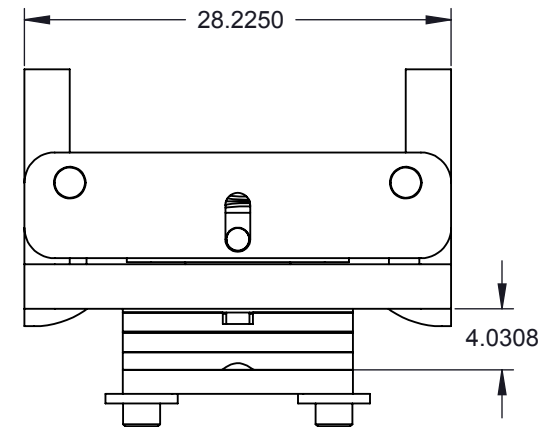
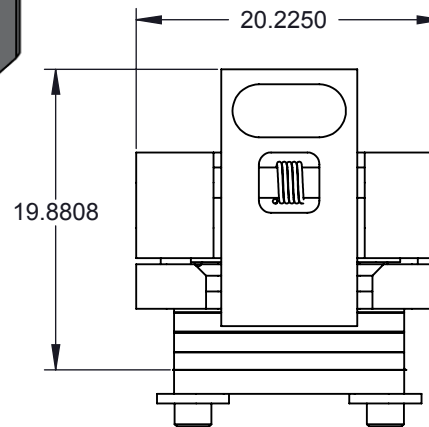
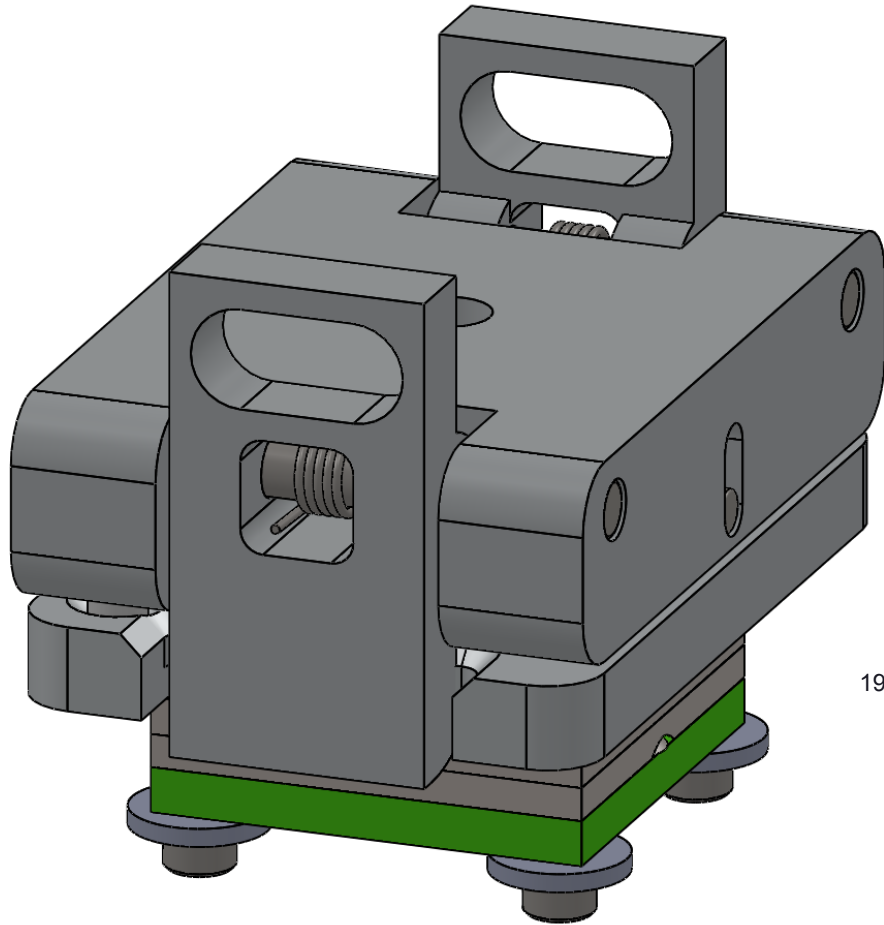


CBT-QFN DIRECT MOUNT, SOLDERLESS SOCKET FOR BURN-IN AND TEST APPLICATIONS

Features

- Wide temperature range (-55C to +155C).
- High current capability (up to 2.5A).
- Excellent signal integrity at high frequencies.
- Low and stable contact resistance for reliable production yield.
- Highly compliant to accommodate wide co-planarity variations.
- Automated probe manufacturing enables low cost and short lead time.



Description: CBT-QFN48, 7x7mm, 0.5mm pitch w/ snapped lid, thermocouple hole

Primary dimension units are millimeters, Secondary dimension units are [inches].

Tolerances: Hole diameters $\pm 0.03\text{mm}$ [$\pm 0.001''$], Pitches (from true position) $\pm 0.025\text{mm}$ [$\pm 0.001''$], substrate thickness tolerance $\pm 10\%$, all other tolerances $\pm 0.13\text{mm}$ [$\pm 0.005''$] unless stated otherwise. Materials and specifications are subject to change without notice.

CBT-QFN-7019 Specification



Ironwood Electronics, Inc.
Tele: (800) 404-0204
www.ironwoodelectronics.com

Material: N/A
Finish: N/A
Weight: 16.77

STATUS: Released

DRAWN BY: S. Huang

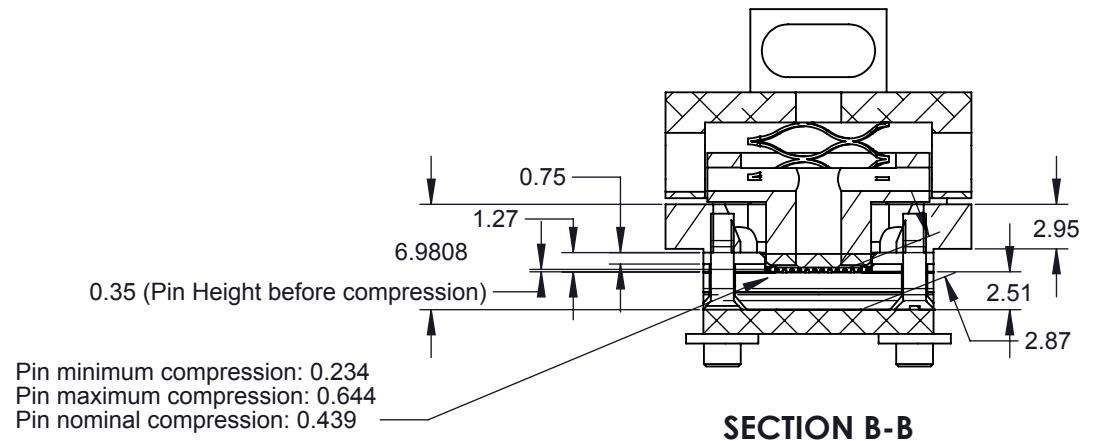
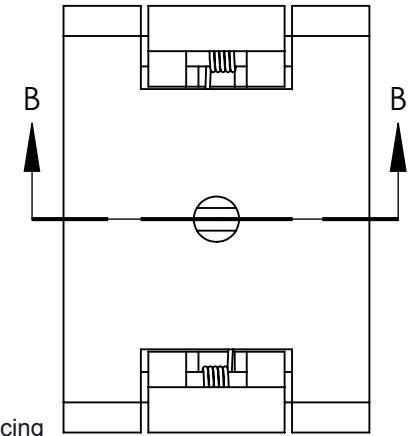
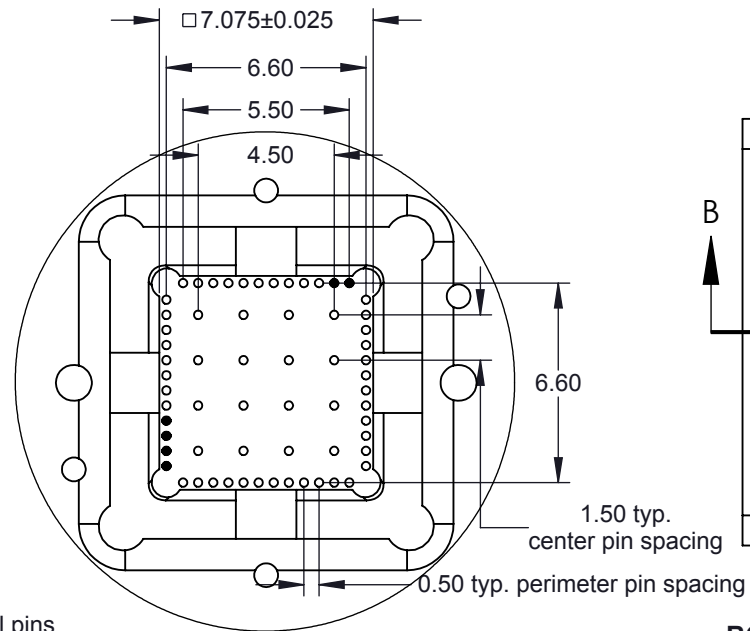
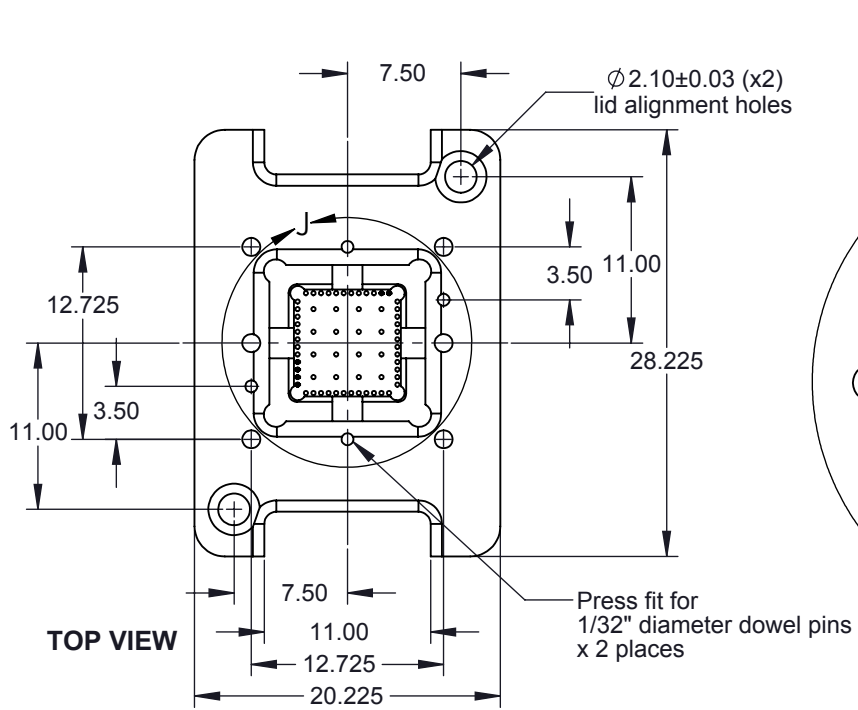
FILE: CBT-QFN-7019 Dwg

SHEET: 1 OF 5

SCALE: 2:1

DATE: 10/25/2011


REV. A

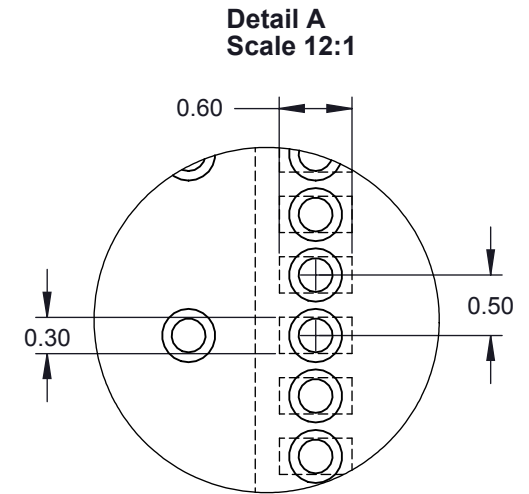
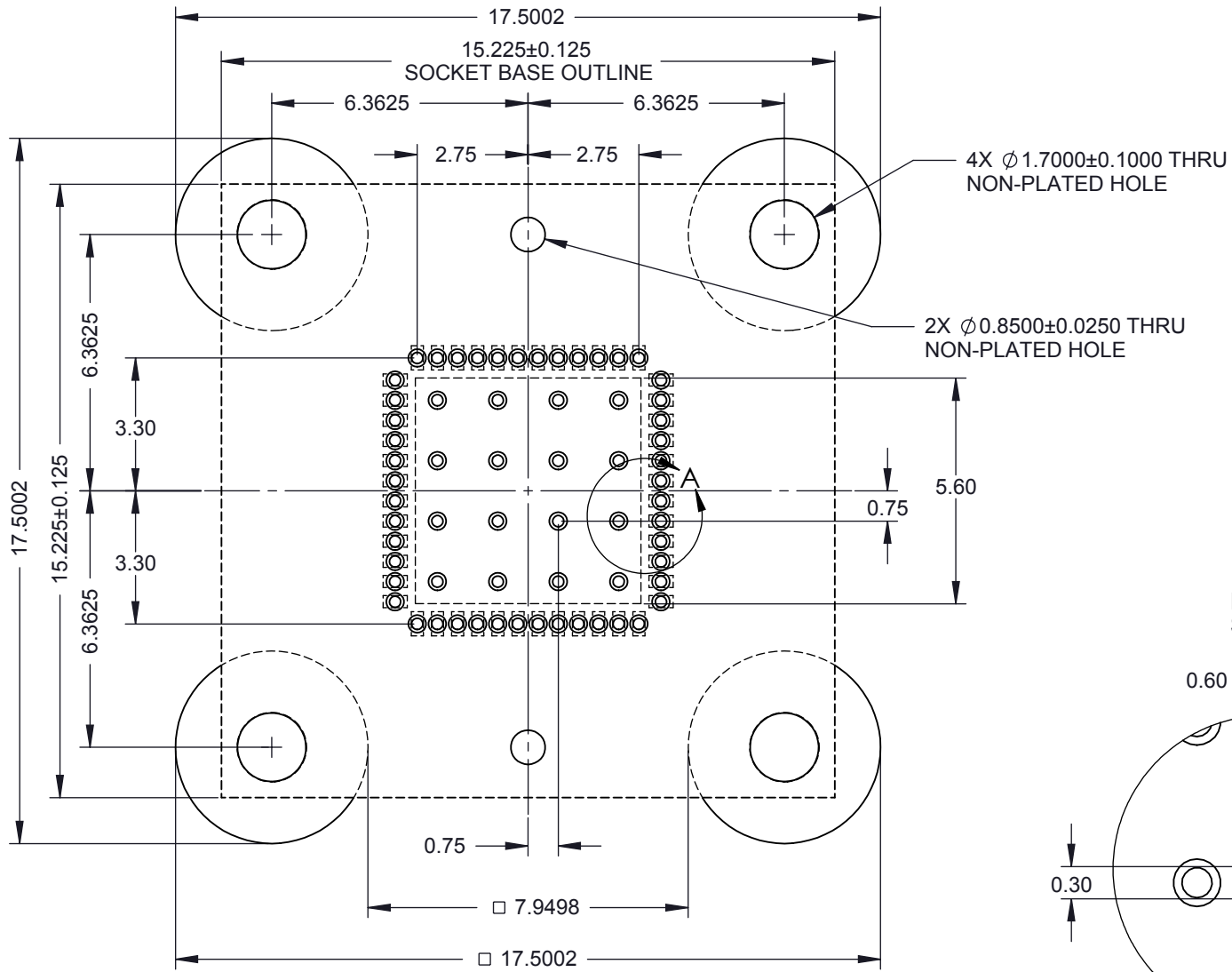


Description: Cavity Detail

Primary dimension units are millimeters, Secondary dimension units are [inches], Weight is in grams.

Tolerances: Hole diameters $\pm 0.03\text{mm}$ [$\pm 0.001''$], Pitches (from true position) $\pm 0.025\text{mm}$ [$\pm 0.001''$], substrate thickness tolerance $\pm 10\%$, all other tolerances $\pm 0.13\text{mm}$ [$\pm 0.005''$] unless stated otherwise. Materials and specifications are subject to change without notice.

 CBT-QFN-7019 Drawing Ironwood Electronics, Inc. Tele: (800) 404-0204 www.ironwoodelectronics.com	Material: N/A Finish: N/A Weight: 16.77	STATUS: Released DRAWN BY: S. Huang FILE: CBT-QFN-7019 Dwg	SHEET: 2 OF 5 SCALE: 2:1 DATE: 10/25/2011	REV. A



Description: Recommended PCB layout

Primary dimension units are millimeters, Secondary dimension units are [inches], Weight is in grams.


Tolerances: Hole diameters $\pm 0.03\text{mm}$ [$\pm 0.001''$], Pitches (from true position) $\pm 0.025\text{mm}$ [$\pm 0.001''$], substrate thickness tolerance $\pm 10\%$, all other tolerances $\pm 0.13\text{mm}$ [$\pm 0.005''$] unless stated otherwise. Plating and solder finish are subject to change without notice.

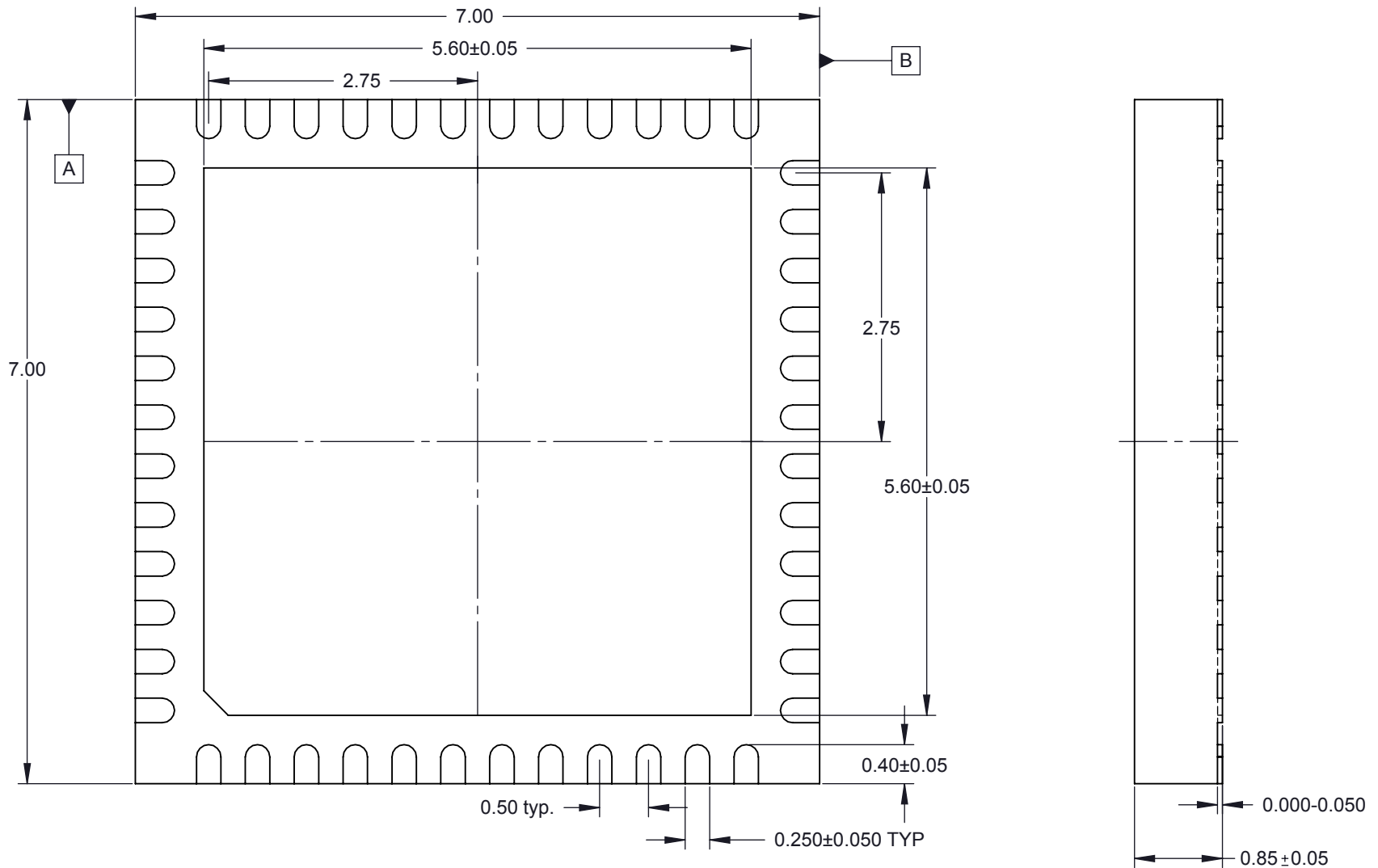
Target PCB Recommendations

Total thickness: 1.6mm min.

Plating: Gold or Solder finish

PCB Pad height: Same or higher than solder mask

 <p>CBT-QFN-7019 Drawing Ironwood Electronics, Inc. Tele: (800) 404-0204 www.ironwoodelectronics.com</p>	<p>Material: N/A Finish: N/A Weight: 16.77</p>	STATUS: Released	SHEET: 3 OF 5	REV. A
		DRAWN BY: S. Huang	SCALE: 6:1	
		FILE: CBT-QFN-7019 Dwg	DATE: 10/25/2011	




Ironwood Package code: QFN48A

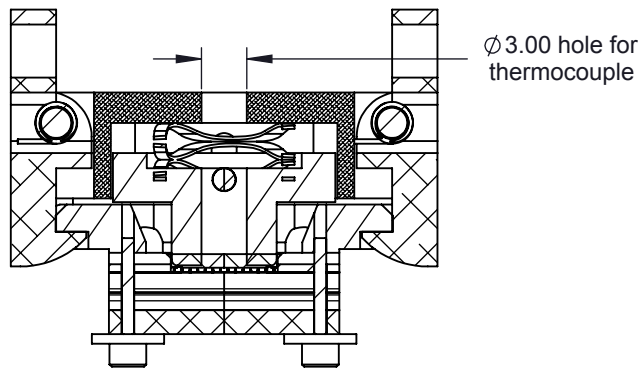
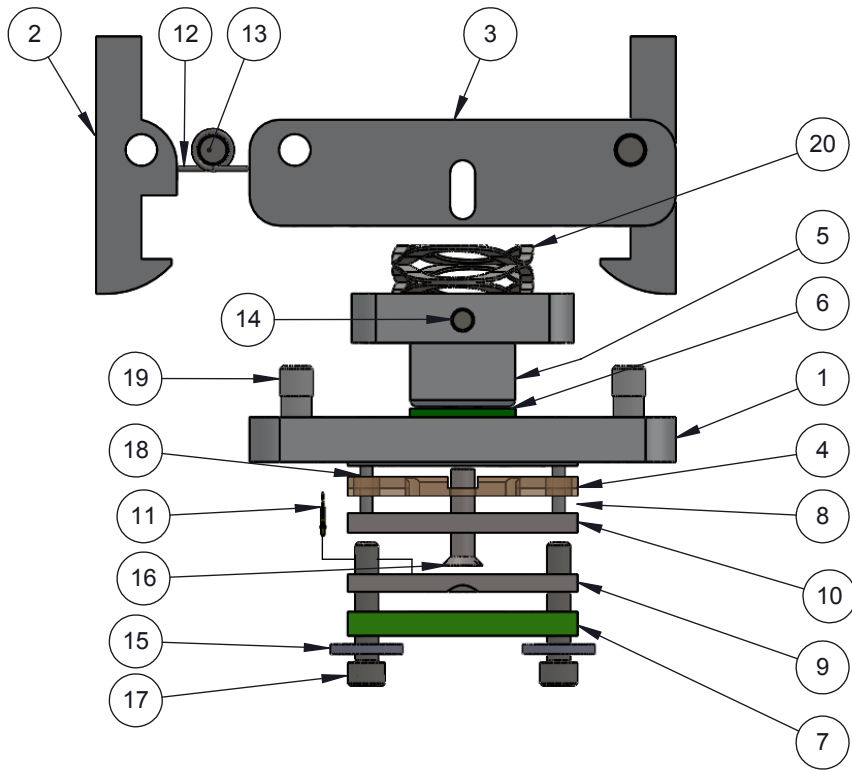
1. Dimensions are in millimeters.

Description: QFN48

Primary dimension units are millimeters, Secondary dimension units are [inches], Weight is in grams.

Tolerances: Hole diameters $\pm 0.03\text{mm}$ [$\pm 0.001"$], Pitches (from true position) $\pm 0.025\text{mm}$ [$\pm 0.001"$], substrate thickness tolerance $\pm 10\%$, all other tolerances $\pm 0.13\text{mm}$ [$\pm 0.005"$] unless stated otherwise. Materials and specifications are subject to change without notice.

 <p>CBT-QFN-7019 Drawing Ironwood Electronics, Inc. Tele: (800) 404-0204 www.ironwoodelectronics.com</p>	<p>Material: N/A Finish: N/A Weight: 16.77</p>	STATUS: Released	SHEET: 4 OF 5	REV. A
		DRAWN BY: S. Huang	SCALE: 16:1	
		FILE: CBT-QFN-7019 Dwg	DATE: 10/25/2011	



ITEM NO.	DESCRIPTION	Material
1	CBT double latch Socket Base for up to 10mm QFN	7075-T6 Aluminum Alloy
2	10x10mm clamshell latch	7075-T6, Plate (SS)
3	CBT Snap double latch socket lid for up to 10mm IC	7075-T6 (SN)
4	IC Guide for 7x7mm IC	Ultem 1000
5	CBT Compression Plate for 7x7mm IC	7075-T6 Aluminum Alloy
6	QFN48A chip	FR4
7	Customer's target PCB for 7x7mm 0.5mm pitch QFN48	High Temp FR4
8	CBT Pin Orientation Guide for 7x7mm 0.5mm pitch QFN48	Kapton Polyimide
9	CBT Bottom Guide for 7x7mm, 0.5mm pitch QFN48	PEEK Ceramic filled
10	CBT Top Guide for 7x7mm 0.5mm pitch QFN48	PEEK Ceramic filled
11	SBT-LGA/QFN Pogo Pin, 0.5mm-0.8mm	Contact Mtrl: BeCu, Au Plated over Ni
12	Torsion Spring, 180 0.109" OD, Ccw/Rh	Steel Music Wire
13	Dowel Pin, M2 X 20mm LG, 18-8 SS	AISI 347 Annealed Stainless Steel (SS)
14	Dowel Pin, M1.5 X 20mm LG, 18-8 SS	AISI 347 Annealed Stainless Steel (SS)
15	Washer, #0 x .025", Nylon	Nylon 6/6
16	#0-80 X .25"LG, FLAT HEAD SCREW, PEEK	PEEK unfilled
17	#0-80 X .313 LG, SOC HD CAP SCREW, ALLOY STL, BLK OXIDE	Alloy Steel
18	Dowel pin, 1/32" X .25", SS	Chrome Stainless Steel
19	Dowel pin	Stainless Steel (303)
20	Wave Spring 0.375"OD 0.15" In 100lbs/in	Steel Music Wire




PIN DETAIL

Rev	Date	Initials	Description
A	10/25/12	SH	Original

Description: Skt, and Pin Det

Primary dimension units are millimeters, Secondary dimension units are [inches], Weight is in grams.

Tolerances: Hole diameters ±0.03mm [±0.001"], Pitches (from true position) ±0.025mm [±0.001"], substrate thickness tolerance ±10%, all other tolerances ±0.13mm [±0.005"] unless stated otherwise. Materials and specifications are subject to change without notice.

 <p>CBT-QFN-7019 Drawing Ironwood Electronics, Inc. Tele: (800) 404-0204 www.ironwoodelectronics.com</p>	<p>Material: N/A Finish: N/A Weight: 16.77</p>	STATUS: Released		SHEET: 5 OF 5	REV. A
		DRAWN BY: S. Huang		SCALE: 1:1	
		FILE: CBT-QFN-7019 Dwg		DATE: 10/25/2011	