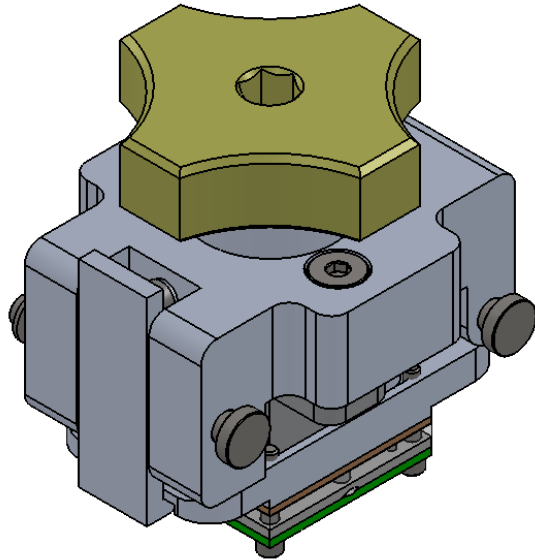
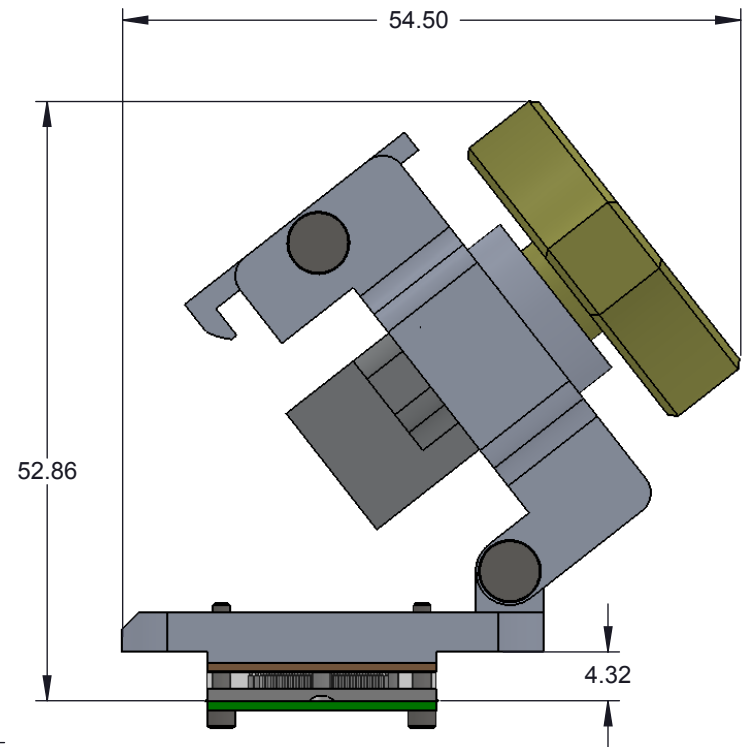
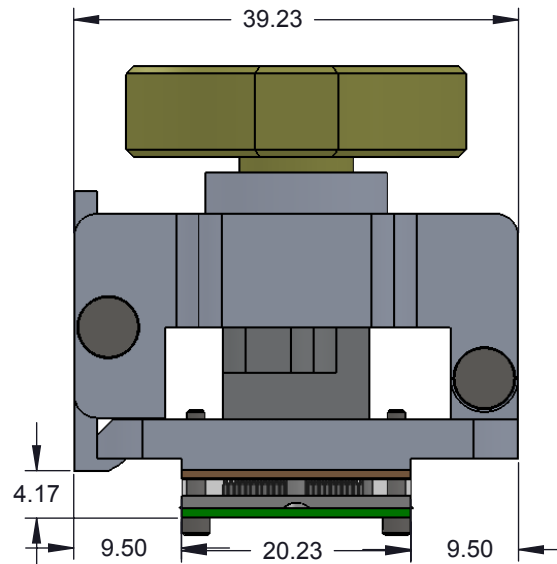
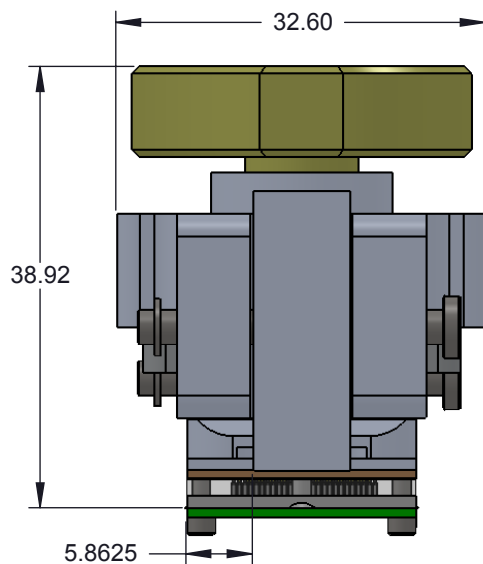


# CBT-QFN DIRECT MOUNT, SOLDERLESS SOCKET FOR BURN-IN AND TEST APPLICATIONS



## Features

- Wide temperature range (-55C to +180C).
- High current capability (up to 8A).
- Excellent signal integrity at high frequencies.
- Low and stable contact resistance for reliable production yield.
- Highly compliant to accommodate wide co-planarity variations.
- Automated probe manufacturing enables low cost and short lead time.



**Description:** Socket, 13mm x 13mm, .25 shift

Primary dimension units are millimeters, Secondary dimension units are [inches].

Tolerances: diameters  $\pm 0.03\text{mm}$  [ $\pm 0.001$ "], PCB perimeters  $\pm 0.13\text{mm}$  [ $\pm 0.005$ "], PCB thicknesses  $\pm 0.18\text{mm}$  [ $\pm 0.007$ "], pitches (from true position)  $\pm 0.08\text{mm}$  [ $\pm 0.003$ "], all other tolerances  $\pm 0.13\text{mm}$  [ $\pm 0.005$ "] unless stated otherwise. Materials and specifications are subject to change without notice.

## CBT-QFN-7007 Drawing

STATUS: Released

SHEET 1 OF 4

REV. A

DRAWN BY: M. Raske

SCALE: 3:2

File: CBT-QFN-7007 Dwg

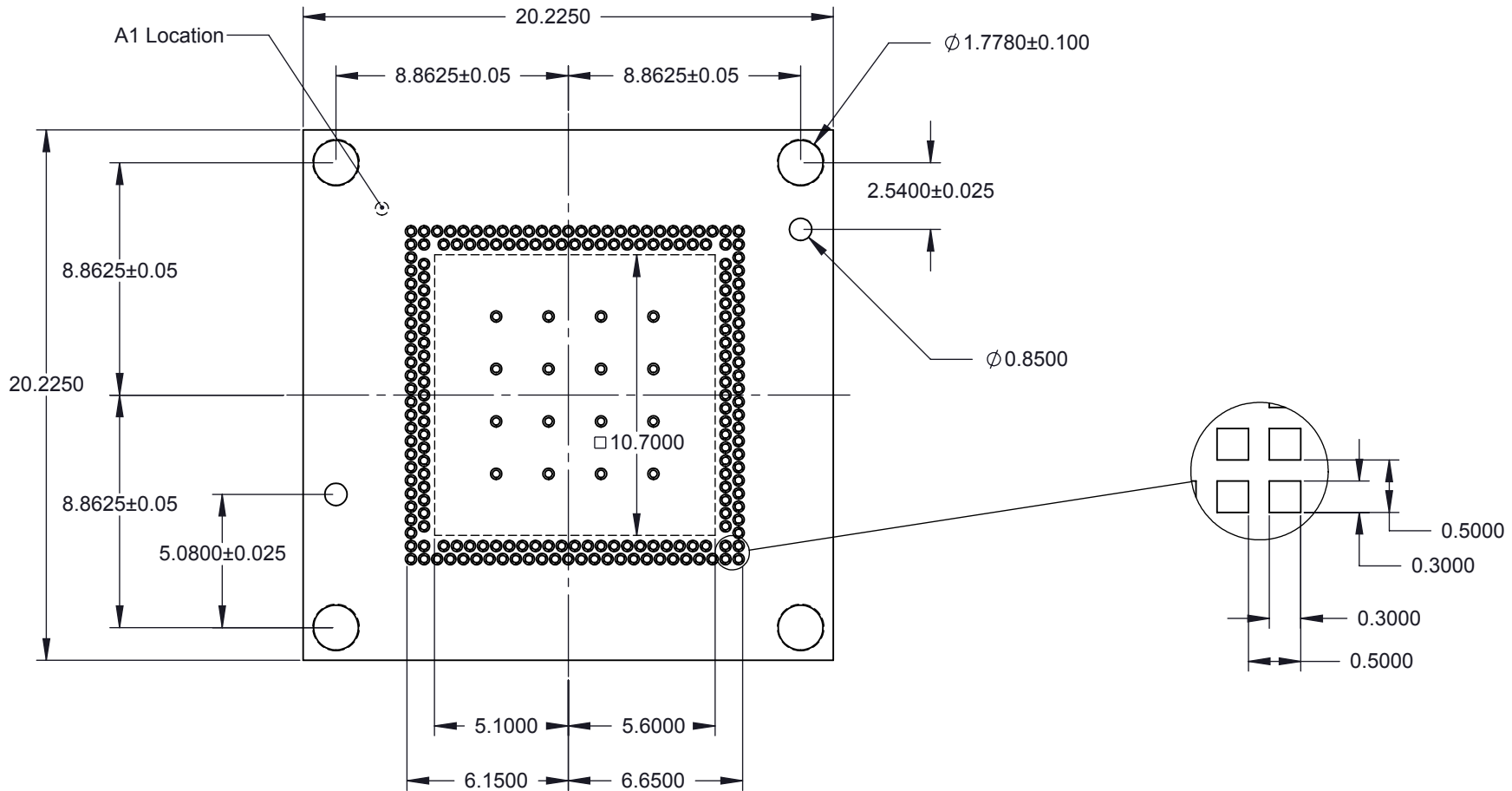
DATE: 4/6/2011



Ironwood Electronics, Inc.  
Tele: (800) 404-0204  
www.ironwoodelectronics.com

WEIGHT: 66.47  
MATERIAL: N/A  
FINISH: N/A

**\*Note: QFN pattern is not symmetrical with respect to the mounting holes.**



**Target PCB Recommendations**  
 Total thickness: 1.5mm min.  
 Plating: Gold or Solder finish

**Description: Recommended PCB layout**

Primary dimension units are millimeters, Secondary dimension units are [inches].  
 Tolerances: diameters  $\pm 0.03\text{mm}$  [ $\pm 0.001^\circ$ ], PCB perimeters  $\pm 0.13\text{mm}$  [ $\pm 0.005^\circ$ ], PCB thicknesses  $\pm 0.18\text{mm}$  [ $\pm 0.007^\circ$ ], pitches (from true position)  $\pm 0.08\text{mm}$  [ $\pm 0.003^\circ$ ], all other tolerances  $\pm 0.13\text{mm}$  [ $\pm 0.005^\circ$ ] unless stated otherwise. Materials and specifications are subject to change without notice.

**CBT-QFN-7007 Drawing**

STATUS: Released

SHEET 2 OF 4

REV. A



Ironwood Electronics, Inc.  
 Tele: (800) 404-0204  
 www.ironwoodelectronics.com

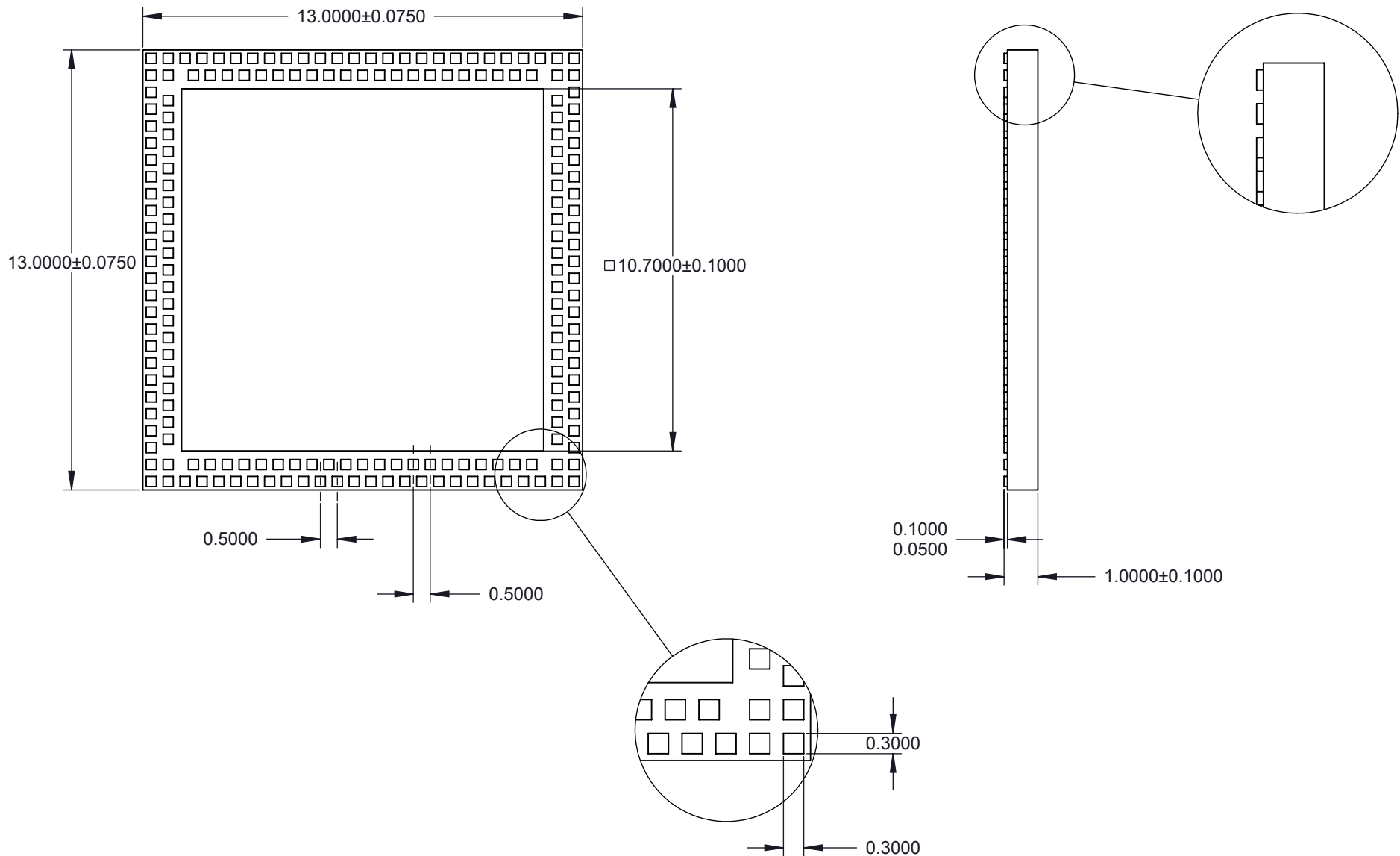
WEIGHT: 66.47  
 MATERIAL: N/A  
 FINISH: N/A

DRAWN BY: M. Raske

SCALE: 1:1

File: CBT-QFN-7007 Dwg

DATE: 4/6/2011



**Description: Socket, 13mm x 13mm, .25 shift**

Primary dimension units are millimeters, Secondary dimension units are [inches].

Tolerances: diameters  $\pm 0.03\text{mm}$  [ $\pm 0.001$ "], PCB perimeters  $\pm 0.13\text{mm}$  [ $\pm 0.005$ "], PCB thicknesses  $\pm 0.18\text{mm}$  [ $\pm 0.007$ "], pitches (from true position)  $\pm 0.08\text{mm}$  [ $\pm 0.003$ "], all other tolerances  $\pm 0.13\text{mm}$  [ $\pm 0.005$ "] unless stated otherwise. Materials and specifications are subject to change without notice.

**CBT-QFN-7007 Drawing**

STATUS: Released

SHEET 3 OF 4

REV. A



Ironwood Electronics, Inc.  
 Tele: (800) 404-0204  
 www.ironwoodelectronics.com

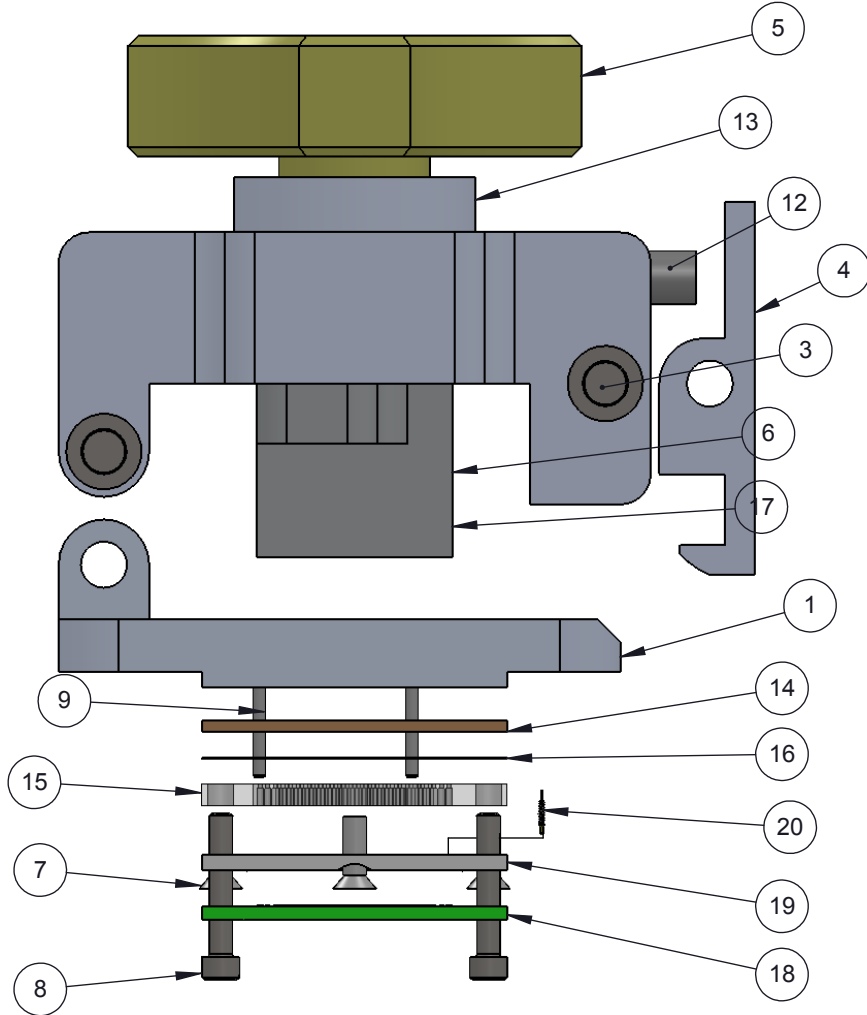
WEIGHT: 66.47  
 MATERIAL: N/A  
 FINISH: N/A

DRAWN BY: M. Raske

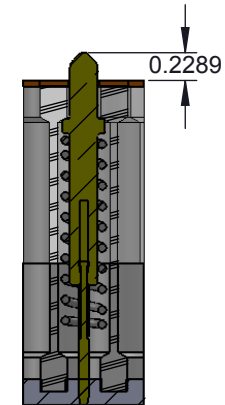
SCALE: 6:1

File: CBT-QFN-7007 Dwg

DATE: 4/6/2011



ITEM NO.	DESCRIPTION	Material
1	CBT Socket Base	7075-T6 Aluminum Alloy
2	Ni plated Clam shell socket lid for 17mm IC	7075-T6 Aluminum Alloy
3	Hinge Pin and Snap Ring, 3mm OD, 25mm long, SS	Stainless Steel (ferritic)
4	Latch	7075-T6 Aluminum Alloy
5	CBT Ni plt COMP SCREW 17MM IC M10	7075-T6 Aluminum Alloy
6	CBT Ni plated compression plate; for 13mm x13mm IC	7079 Alloy
7	Screw, #0-80 X .188", Flat, SS	Material <not specified>
8	#0-80 X .375 LG, SOC HD CAP SCREW, ALLOY STL, BLK OXIDE	Alloy Steel
9	Dowel pin, 1/32" X .25", SS	Chrome Stainless Steel
10	Screw, M3 x 12mm, Low Head Cap, SS	18-8 Stainless Steel
11	Spring Clamshell lid assembly	Steel Music Wire
12	Latch Spring 3.5mm OD	Stainless Steel (ferritic)
13	Compression Stopper for C8890	7075-T6 Aluminum Alloy
14	IC Guide 13mm IC 0.75mm thick	Ultem 1000
15	Top Guide 188 lead 2 row 0.5mm pitch	PEEK Ceramic filled
16	Lead guide 188 lead 2 row 0.5mm pitch	Kapton Polyimide
17	Test Chip	Material <not specified>
18	Test PCB	Material <not specified>
19	Bottom Guide 188 lead 2 row 0.5mm pitch	PEEK Ceramic filled
20	SBT-LGA/QFN Pogo Pin, 0.5mm-0.8mm	Contact Mtrl: BeCu, Au Plated over Ni



**Description: Socket, 13mm x 13mm, .25 shift**

Primary dimension units are millimeters, Secondary dimension units are [inches].  
 Tolerances: diameters  $\pm 0.03\text{mm}$  [ $\pm 0.001$ "], PCB perimeters  $\pm 0.13\text{mm}$  [ $\pm 0.005$ "], PCB thicknesses  $\pm 0.18\text{mm}$  [ $\pm 0.007$ "], pitches (from true position)  $\pm 0.08\text{mm}$  [ $\pm 0.003$ "], all other tolerances  $\pm 0.13\text{mm}$  [ $\pm 0.005$ " unless stated otherwise. Materials and specifications are subject to change without notice.

**CBT-QFN-7007 Drawing**

STATUS: Released	SHEET 4 OF 4	REV. A
DRAWN BY: M. Raske	SCALE: 1:1	
File: CBT-QFN-7007 Dwg	DATE: 4/6/2011	



Ironwood Electronics, Inc.  
 Tele: (800) 404-0204  
 www.ironwoodelectronics.com

WEIGHT: 66.47  
 MATERIAL: N/A  
 FINISH: N/A