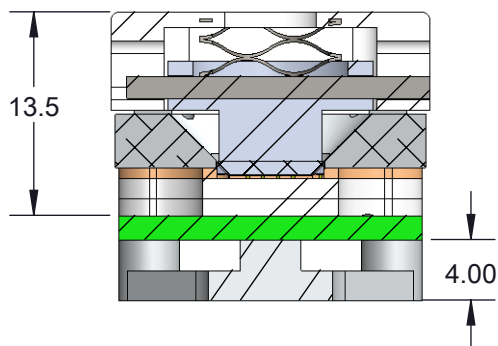
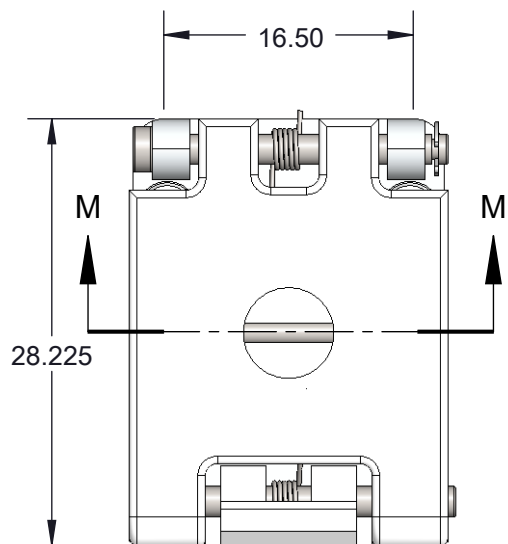


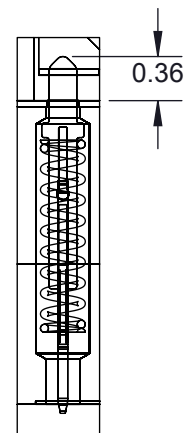
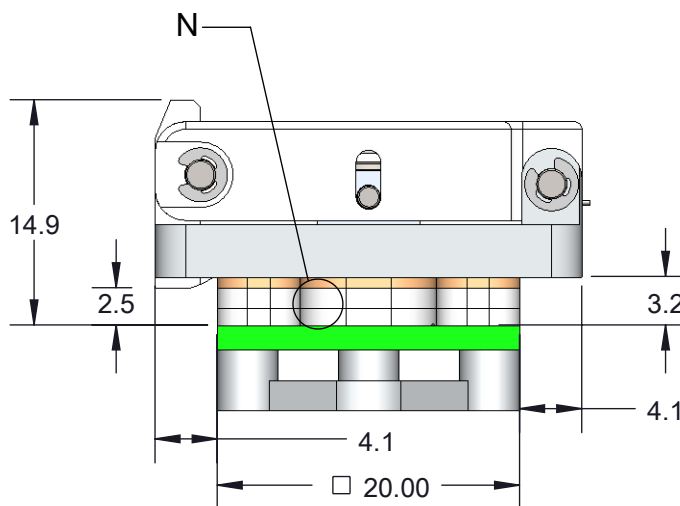
SBT-QFN DIRECT MOUNT, SOLDERLESS SOCKET FOR BURN-IN AND TEST APPLICATIONS

FEATURES:

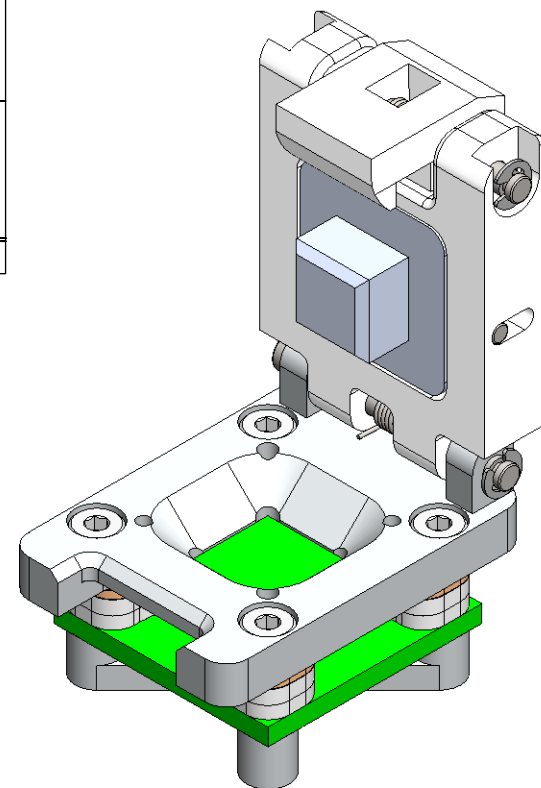
- Wide temperature range (-55C to +180C)
- High current capability (up to 4A)
- Excellent signal integrity at high frequencies
- Low and stable contact resistance for reliable production yield
- Highly compliant to accommodate wide co-planarity variations
- Automated probe manufacturing enables low cost and short lead time



SECTION M-M




DETAIL N
SCALE 16 : 1

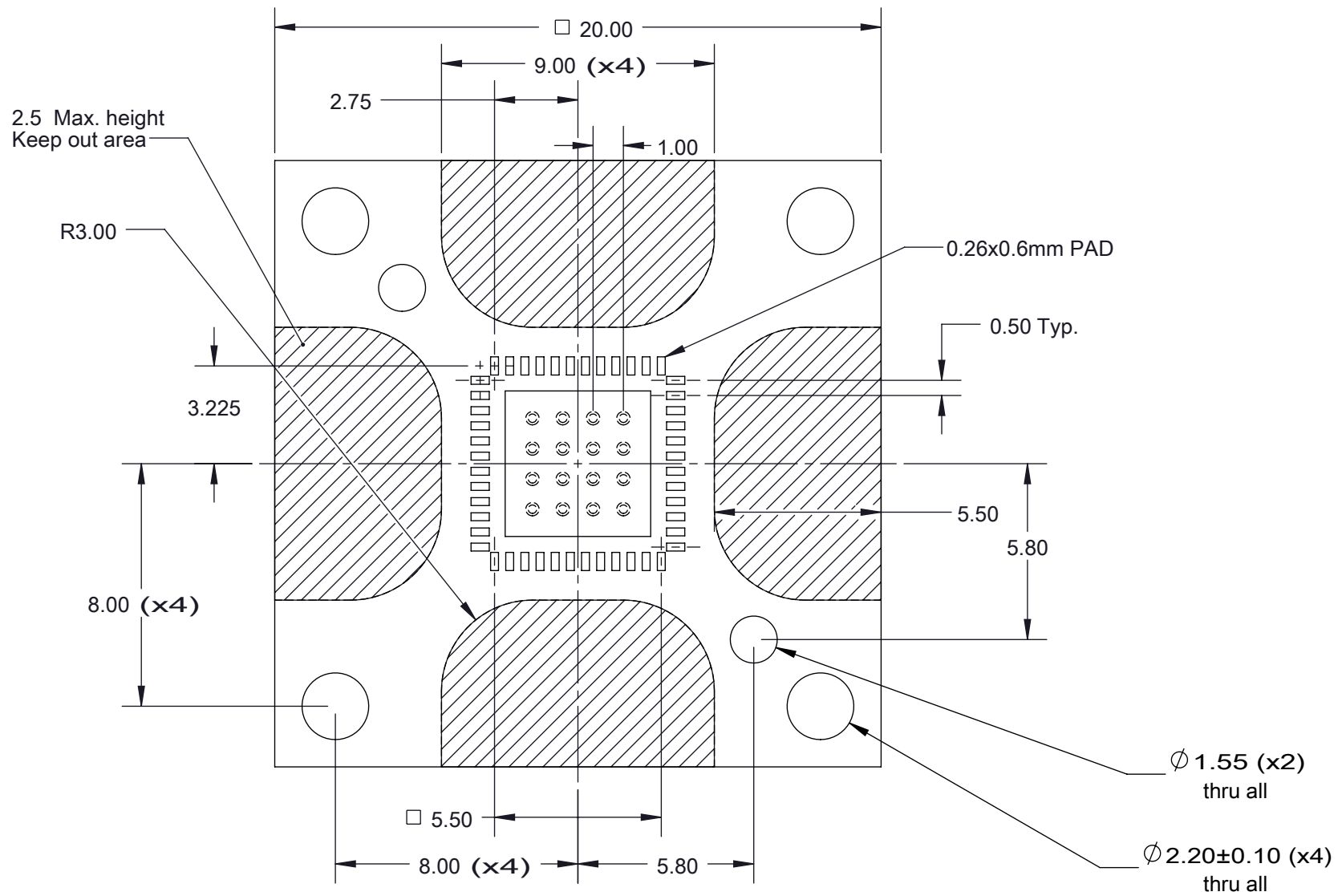


Description: Socket Assembly

Primary dimension units are millimeters, Secondary dimension units are [inches], Weight is in grams.

Tolerances: Hole diameters $\pm 0.03\text{mm}$ [± 0.001 "]. Pitches (from true position) $\pm 0.025\text{mm}$ [± 0.001 "], substrate thickness tolerance $\pm 10\%$, all other tolerances $\pm 0.13\text{mm}$ [± 0.005 "] unless stated otherwise. Materials and specifications are subject to change without notice.


 <p>CBT-QFN-7002 Drawing Ironwood Electronics, Inc. Tele: (800) 404-0204 www.ironwoodelectronics.com</p>	<p>Material: Material <not specified> Finish: Weight: 13.83</p>	<p>STATUS: Released ENG: V. Panavala FILE: CBT-QFN-7002</p>	<p>SHEET: 1 OF 4 DRAWN BY: V. Panavala DATE: 8/23/2012</p>	<p>REV. C SCALE: 2:1</p>



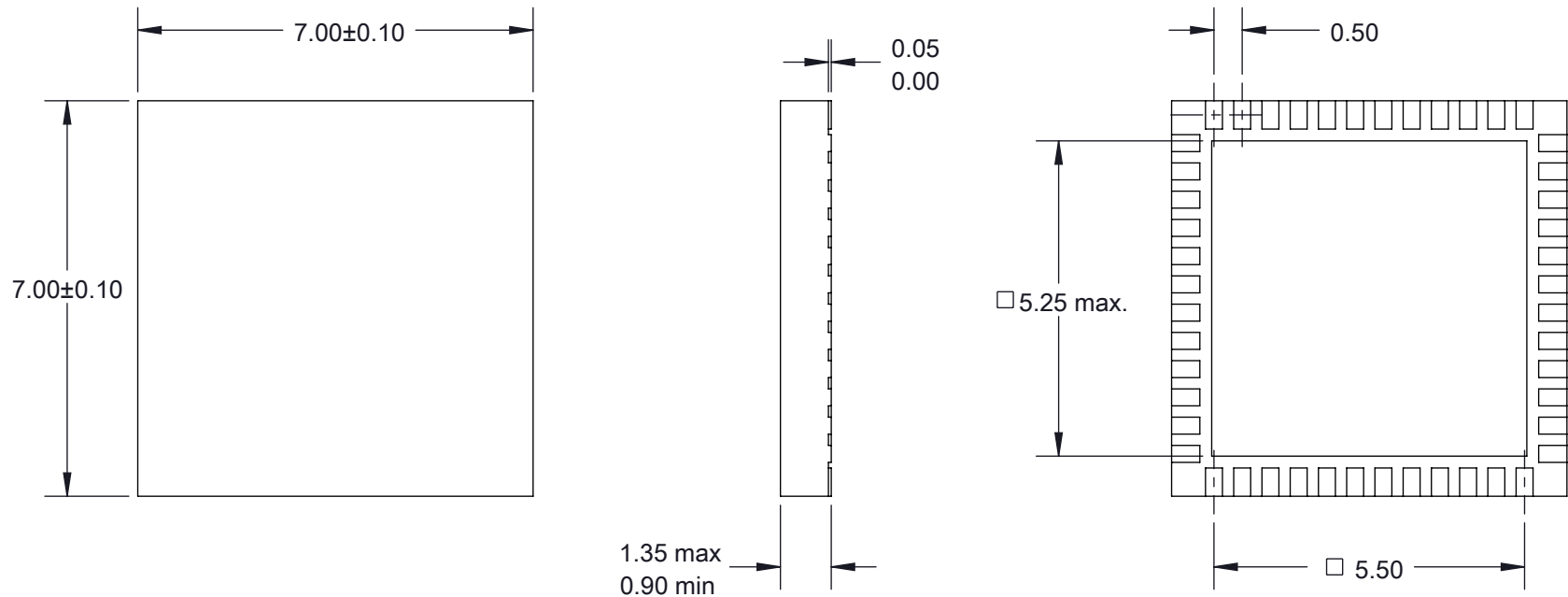
Description: Recommended PCB Layout

Primary dimension units are millimeters, Secondary dimension units are [inches], Weight is in grams.

Tolerances: Hole diameters $\pm 0.03\text{mm}$ [$\pm 0.001"$], Pitches (from true position) $\pm 0.025\text{mm}$ [$\pm 0.001"$], substrate thickness tolerance $\pm 10\%$, all other tolerances $\pm 0.13\text{mm}$ [$\pm 0.005"$] unless stated otherwise. Materials and specifications are subject to change without notice.

 CBT-QFN-7002 Drawing Ironwood Electronics, Inc. Tele: (800) 404-0204 www.ironwoodelectronics.com	Material: Material <not specified> Finish: Weight: 13.83	STATUS: Released	SHEET: 2 OF 4	REV. C
		ENG: V. Panavala	DRAWN BY: V. Panavala	SCALE: 5:1
		FILE: CBT-QFN-7002	DATE: 8/23/2012	


Ironwood Package Code : QFN48A

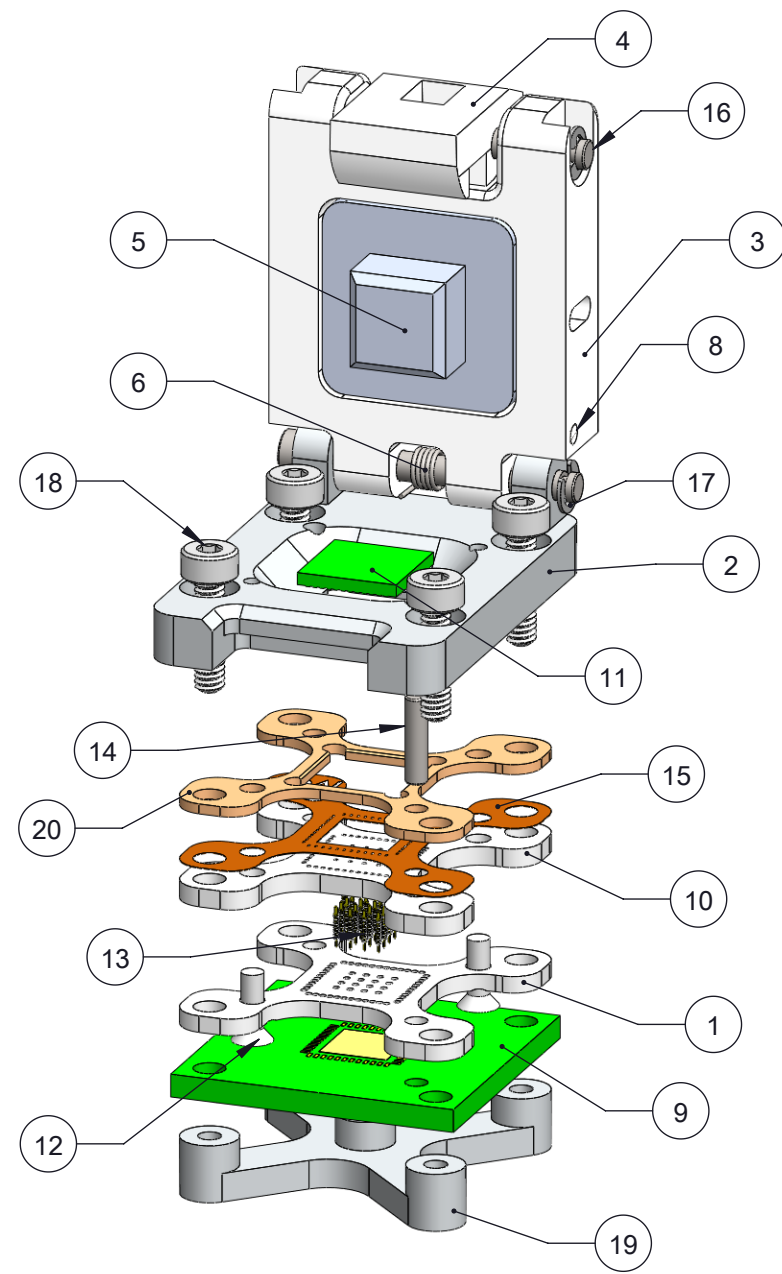


Description: Compatible QFN

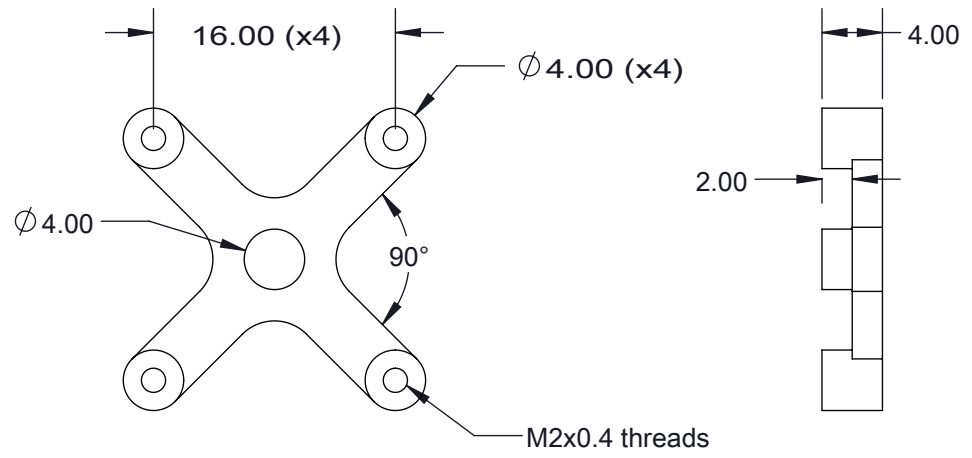
Primary dimension units are millimeters, Secondary dimension units are [inches], Weight is in grams.

Tolerances: Hole diameters ± 0.03 mm [± 0.001 "], Pitches (from true position) ± 0.025 mm [± 0.001 "], substrate thickness tolerance $\pm 10\%$, all other tolerances ± 0.13 mm [± 0.005 "] unless stated otherwise. Materials and specifications are subject to change without notice.

 CBT-QFN-7002 Drawing Ironwood Electronics, Inc. Tele: (800) 404-0204 www.ironwoodelectronics.com	Material: Material <not specified> Finish: Weight: 13.83	STATUS: Released	SHEET: 3 OF 4	REV. C
		ENG: V. Panavala	DRAWN BY: V. Panavala	SCALE: 8:1
		FILE: CBT-QFN-7002	DATE: 8/23/2012	



ITEM NO.	DESCRIPTION	Material
1	Bottom Pogo Guide 0.5mm pitch QFN48A	Peek
2	Socket Base 7x7 snap lid type	7075-T6 Aluminum Alloy
3	12mm Plastic Snap Clamshell Socket Lid	PPS/Ultem
4	Clamshell Latch Snap Lid Socket	PPS/Ultem
5	Compression Plate 7x7mm	7075-T6 Aluminum Alloy
6	Torsion Spring, 180 0.109" OD, Ccw/Rh	Steel Music Wire
7	Wave Spring 0.375"OD 0.15" In 100lbs/in	Steel Music Wire
8	Dowel Pin, M1.5 X 20mm LG, 18-8 SS	AISI 347 Annealed Stainless Steel (SS)
9	Target PCB QFN48 0.5mm pitch 7mm	Material <not specified>
10	Top Pogo Guide 0.5mm pitch QFN48A	Peek
11	QFN48A chip	FR4
12	Screw, #0-80 X .188", Flat, SS	Stainless Steel (18-8)
13	SBT-LGA/QFN Pogo Pin, 0.5mm-0.8mm	Contact Mtrl: BeCu, Au Plated over Ni
14	Dowel Pin, M1.5 X 5mm LG, Hardened Steel	AISI 347 Annealed Stainless Steel (SS)
15	Pin Oreintation Guide 0.5mm pitch QFN48A	Kapton
16	2mm diameter Hinge Pin, 20 mm long	Alloy Steel
17	Snap ring for 2mm Hinge pin 0.15" OD	
18	Socket Head Cap Screw M2 8mm long	Stainless Steel (316)
19	Backing Plate 5 post	7075-T6 Alumium Alloy
20	IC guide 7x7mm	Ultem 1000




Description: Socket Specification

Primary dimension units are millimeters, Secondary dimension units are [inches], Weight is in grams.

Tolerances: Hole diameters $\pm 0.03\text{mm}$ [$\pm 0.001"$], Pitches (from true position) $\pm 0.025\text{mm}$ [$\pm 0.001"$], substrate thickness tolerance $\pm 10\%$, all other tolerances $\pm 0.13\text{mm}$ [$\pm 0.005"$] unless stated otherwise. Materials and specifications are subject to change without notice.

Rev	Date	Initials	Description
A	8/23/2012	VP	Original
B	4/30/13	VP	Updated Max. IC height from 1mm to 1.35mm
C	02/18/14	DH	Changed current rating of pin

 CBT-QFN-7002 Drawing Ironwood Electronics, Inc. Tele: (800) 404-0204 www.ironwoodelectronics.com	Material: Material <not specified> Finish: Weight: 13.83	STATUS: Released ENG: V. Panavala FILE: CBT-QFN-7002	SHEET: 4 OF 4 DRAWN BY: V. Panavala DATE: 8/23/2012	REV. C SCALE: 2:1
---	--	--	---	----------------------