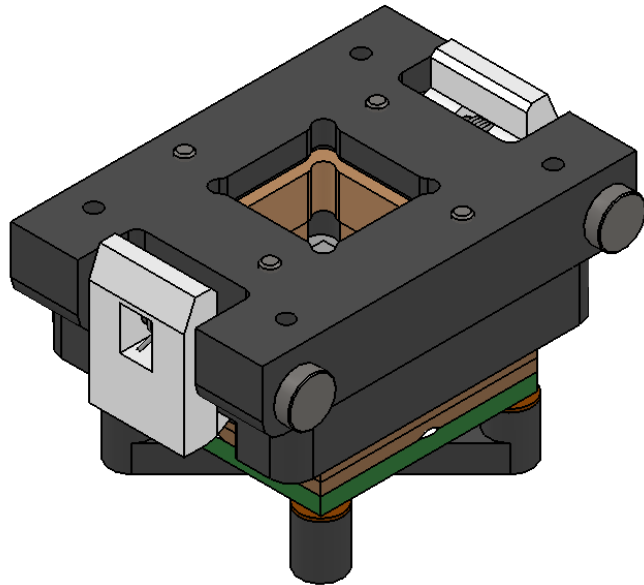
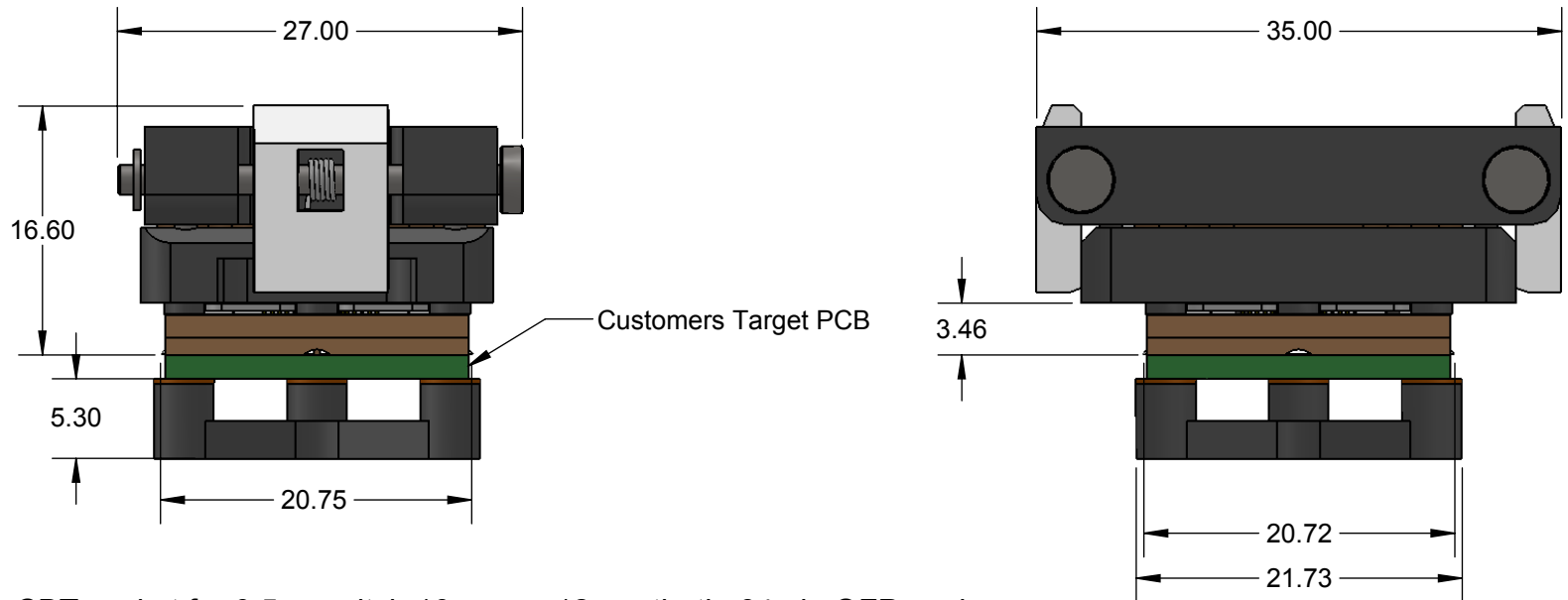


OPEN TOP DUAL LATCH CBT-BGA DIRECT MOUNT, SOLDERLESS SOCKET FOR BURN-IN AND TEST APPLICATIONS




- FEATURES:**
- Wide temperature range (-55C to +180C)
 - High current capability (up to 4A)
 - Excellent signal integrity at high frequencies
 - Low and stable contact resistance for reliable production yield
 - Highly compliant to accommodate wide co-planarity variations
 - Automated probe manufacturing enables low cost and short lead time

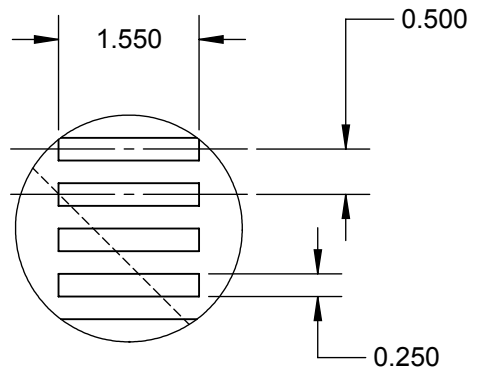
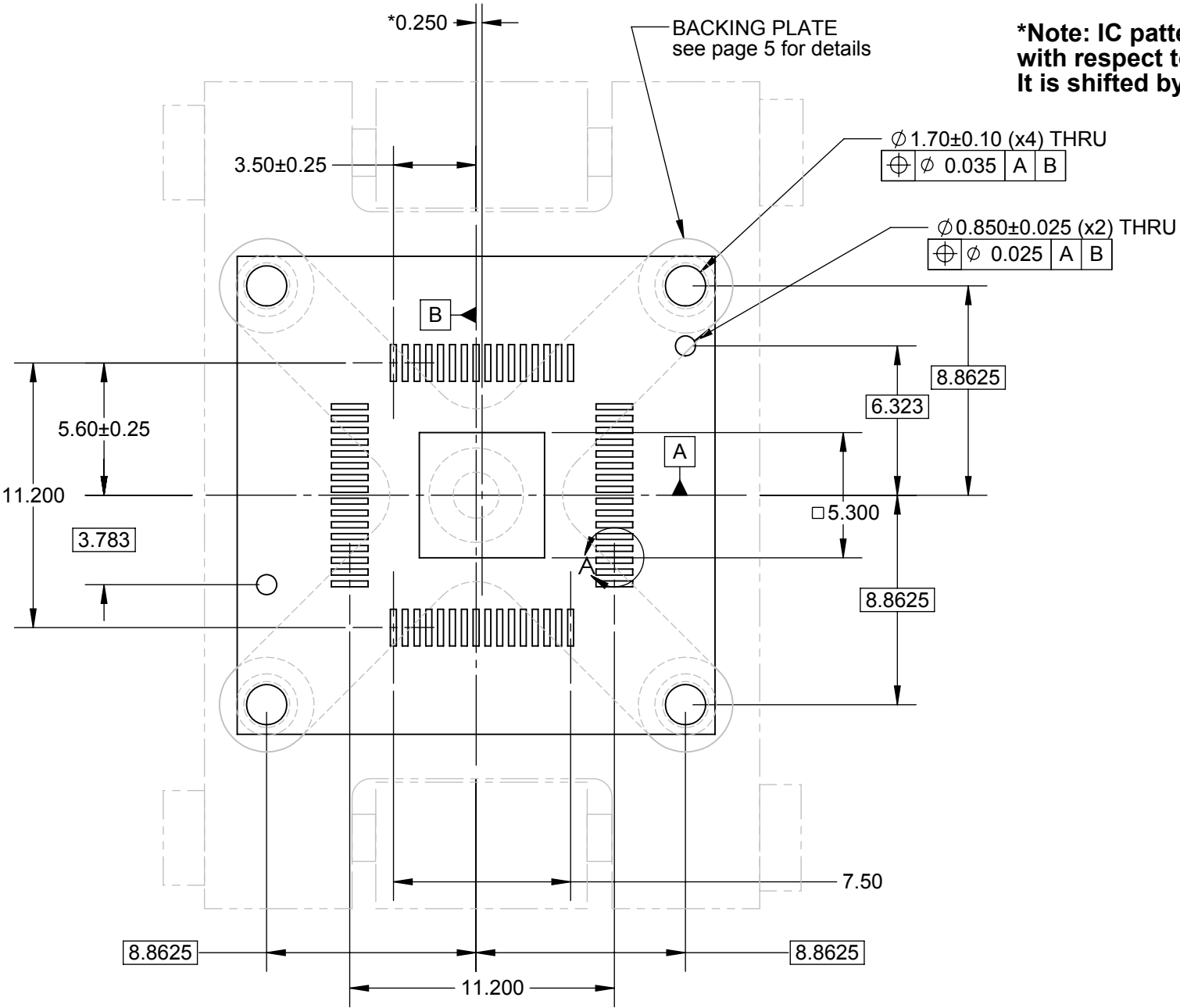


Description: Open Top CBT socket for 0.5mm pitch 10mm sq 12mm tip-tip 64 pin QFP package

Primary dimension units are millimeters, Secondary dimension units are [inches], Weight is in grams.

Tolerances: Hole diameters $\pm 0.03\text{mm}$ [± 0.001 "], Pitches (from true position) $\pm 0.025\text{mm}$ [± 0.001 "], substrate thickness tolerance $\pm 10\%$, all other tolerances $\pm 0.13\text{mm}$ [± 0.005 "] unless stated otherwise. Materials and specifications are subject to change without notice.


 CBT-QFE-3001 Drawing Ironwood Electronics, Inc. Tele: (800) 404-0204 www.ironwoodelectronics.com	Material: N/A Finish: N/A Weight: 20.05	STATUS: Released ENG: S, Faiz FILE: CBT-QFE-3001 Dwg	SHEET: 1 OF 5 DRAWN BY: M. Raske DATE: 01/15/2014	REV. A SCALE: 2:1

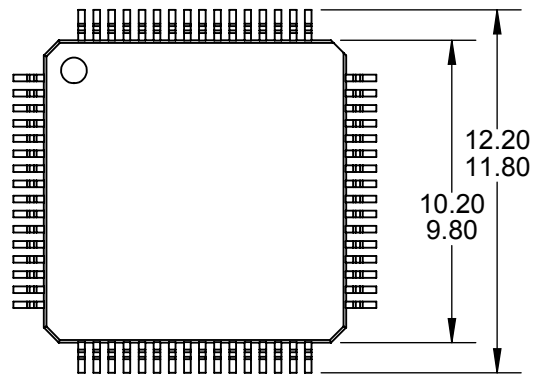


DETAIL A
SCALE 12 : 1

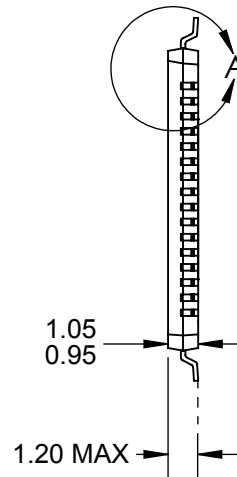
Description: Recommended PCB Layout

Primary dimension units are millimeters, Secondary dimension units are [inches], Weight is in grams.
 Tolerances: Hole diameters ± 0.0254 mm [± 0.001 "]. Pitches (from true position) ± 0.0762 mm [± 0.003 "]. substrate thickness tolerance $\pm 10\%$, all other tolerances ± 0.127 mm [± 0.005 "] unless stated otherwise. Materials and specifications are subject to change without notice.

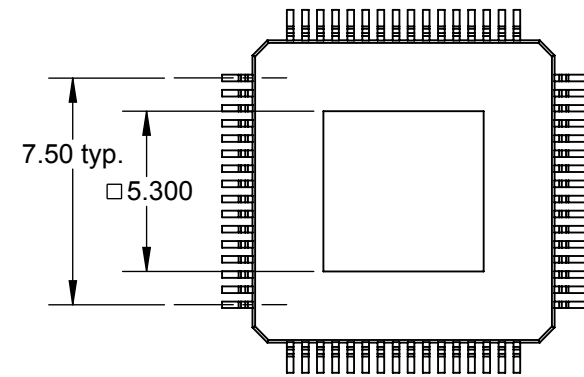
 CBT-QFE-3001 Drawing Ironwood Electronics, Inc. Tele: (800) 404-0204 www.ironwoodelectronics.com	Material: N/A Finish: N/A Weight: 20.05	STATUS: Released ENG: S, Faiz FILE: CBT-QFE-3001 Dwg	SHEET: 2 OF 5 DRAWN BY: M. Raske DATE: 01/15/2014	REV. A SCALE: 4:1



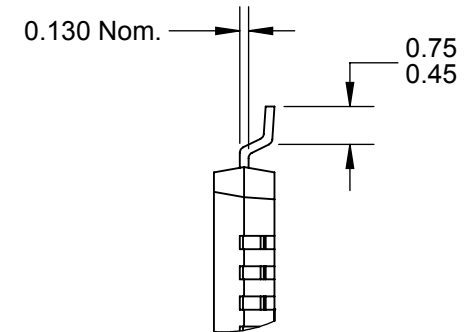
TOP VIEW



SIDE VIEW



BOTTOM VIEW




DETAIL A
SCALE 8 : 1

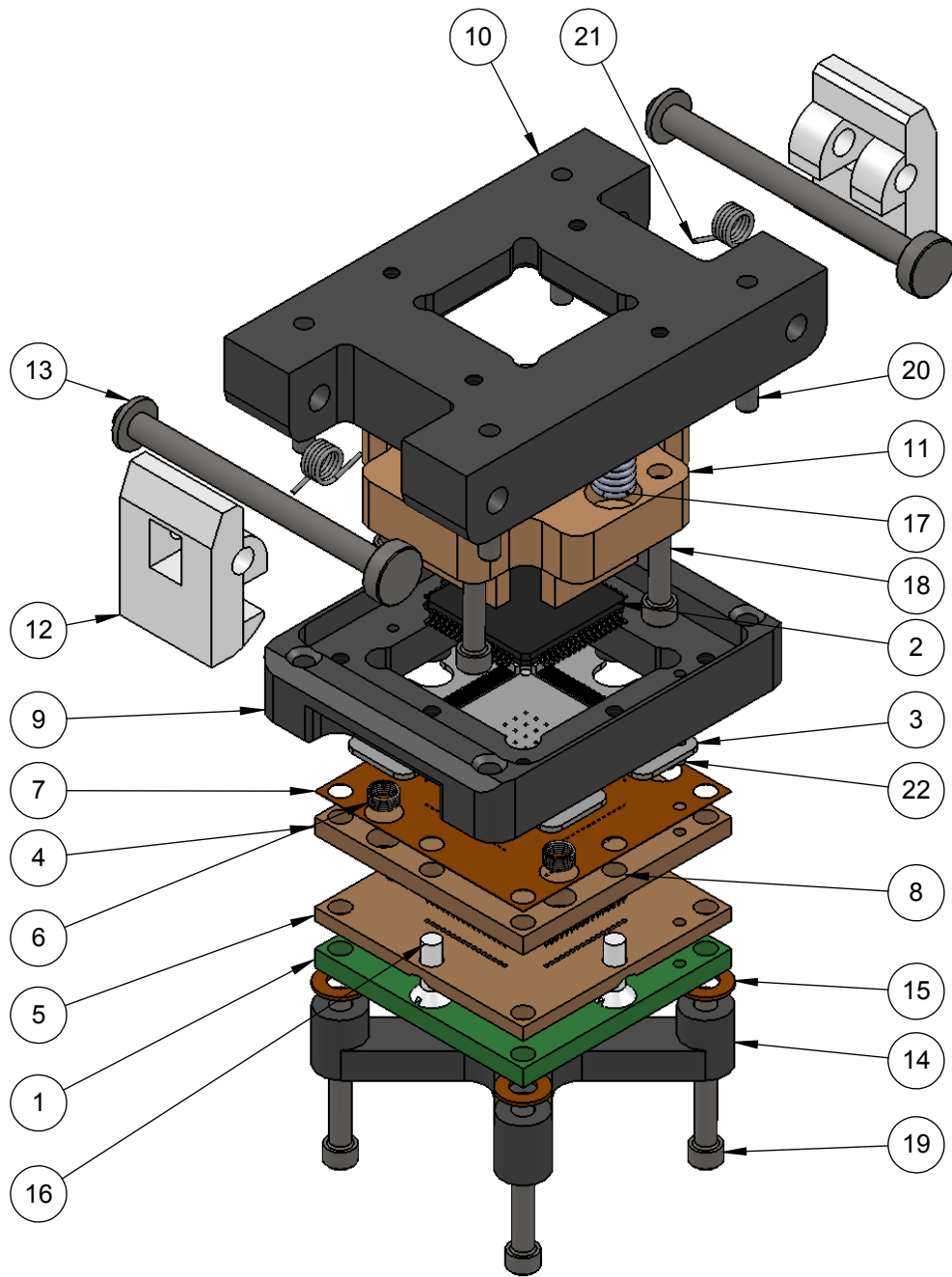
1. Dimensions are in millimeters.
2. Interpret dimensions and tolerances per ASME Y14.5M-1994.
3. Dimension b is measured at the maximum solder ball diameter, parallel to datum plane Z.
4. Datum Z (seating plane) is defined by the spherical crowns of the solder balls.
5. Parallelism measurement shall exclude any effect of mark on top surface of package.

Description: Compatible Device

Primary dimension units are millimeters, Secondary dimension units are [inches], Weight is in grams.

Tolerances: Hole diameters $\pm 0.03\text{mm}$ [$\pm 0.001"$], Pitches (from true position) $\pm 0.025\text{mm}$ [$\pm 0.001"$], substrate thickness tolerance $\pm 10\%$, all other tolerances $\pm 0.13\text{mm}$ [$\pm 0.005"$] unless stated otherwise. Materials and specifications are subject to change without notice.

 <p>CBT-QFE-3001 Drawing Ironwood Electronics, Inc. Tele: (800) 404-0204 www.ironwoodelectronics.com</p>	<p>Material: N/A Finish: N/A Weight: 20.05</p>	STATUS: Released	SHEET: 3 OF 5	REV. A
		ENG: S, Faiz	DRAWN BY: M. Raske	SCALE: 4:1
		FILE: CBT-QFE-3001 Dwg	DATE: 01/15/2014	



ITEM NO.	DESCRIPTION	Default/QTY.	Material
1	Target PCB QFE64SD 0.5mm pitch 10mm sq body 12mm tip to tip	1	FR4 High temp
2	CFE TQFP64_w_E_PAD TEST CHIP	1	Material <not specified>
3	CBT-QFE64 Floating spring pin guide	1	PEEK Ceramic filled
4	Middle guide QFE64 12x12mm T-T	1	Semitron MDS 100
5	Bottom CBT pin guide QFE64	1	Semitron MDS 100
6	Floating Guide Spring	4	Alloy Steel (SS)
7	Pin Orientation Guide QFE64	1	Kapton Polyimide/Cirlex
8	SBT Pin, 0.4mm pitch	80	N/A
9	Base, CBT double latch	1	7075-T6 Alumium Alloy
10	Lid, double latch socket	1	7075-T6 Alumium Alloy
11	Compression plate QFE64 0.5mm pitch	1	Ultem 1000
12	Clamshell Latch Snap Lid Socket	2	PPS/Ultem
13	Hinge Pin and Snap Ring, 2mm OD, 24mm long, SS	2	Stainless Steel (ferritic)
14	15x15mm Clamshell Backing Plate	1	7075-T6 Aluminum Alloy
15	Insulating washer, 4mm OD.	5	Kapton Polyimide/Cirlex
16	#0-80 X .188" LG FL HD, Slotted, Polypropylene	4	PP Homopolymer
17	302SS Comp. Spring .375" Length, .125" OD, .016" Wire Dia.	4	Material <not specified>
18	#0-80 X .25 LG, SOC HD CAP SCREW, ALLOY STL, BLK OXIDE	4	Alloy Steel
19	#0-80 x 0.5, SH Cap Screw	4	Alloy Steel
20	Dowel Pin, M1.5 X 5mm LG, Hardened Steel	4	AISI 347 Annealed Stainless Steel (SS)
21	Torsion Spring, 180 0.109" OD, SS	2	Stainless Steel (302)
22	Dowel pin, 1/32" X 1/4", SS	2	Stainless Steel (18-8)

Description: Socket Assy, Insulation Plate

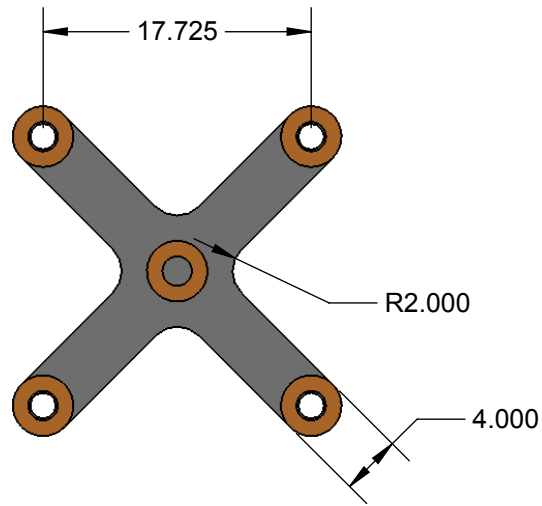
Primary dimension units are millimeters, Secondary dimension units are [inches], Weight is in grams.

Tolerances: Hole diameters $\pm 0.03\text{mm}$ [$\pm 0.001"$], Pitches (from true position) $\pm 0.025\text{mm}$ [$\pm 0.001"$], substrate thickness tolerance $\pm 10\%$, all other tolerances $\pm 0.13\text{mm}$ [$\pm 0.005"$] unless stated otherwise. Materials and specifications are subject to change without notice.

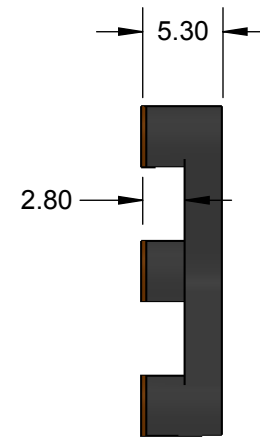
CBT-QFE-3001 Drawing Ironwood Electronics, Inc. Tele: (800) 404-0204 www.ironwoodelectronics.com	Material: N/A Finish: N/A Weight: 20.05	STATUS: Released	SHEET: 4 OF 5	REV. A
		ENG: S, Faiz	DRAWN BY: M. Raske	SCALE: 2:1
		FILE: CBT-QFE-3001 Dwg	DATE: 01/15/2014	



**PIN DETAIL
SCALE 16:1**




BACKING PLATE DETAIL



Description: PIN, BACKING PLT DETAIL

Primary dimension units are millimeters, Secondary dimension units are [inches], Weight is in grams.

Tolerances: Hole diameters $\pm 0.03\text{mm}$ [$\pm 0.001"$], Pitches (from true position) $\pm 0.025\text{mm}$ [$\pm 0.001"$], substrate thickness tolerance $\pm 10\%$, all other tolerances $\pm 0.13\text{mm}$ [$\pm 0.005"$] unless stated otherwise. Materials and specifications are subject to change without notice.

 CBT-QFE-3001 Drawing Ironwood Electronics, Inc. Tele: (800) 404-0204 www.ironwoodelectronics.com	Material: N/A Finish: N/A Weight: 20.05	STATUS: Released	SHEET: 5 OF 5	REV. A
		ENG: S, Faiz	DRAWN BY: M. Raske	SCALE: 2:1
		FILE: CBT-QFE-3001 Dwg	DATE: 01/15/2014	