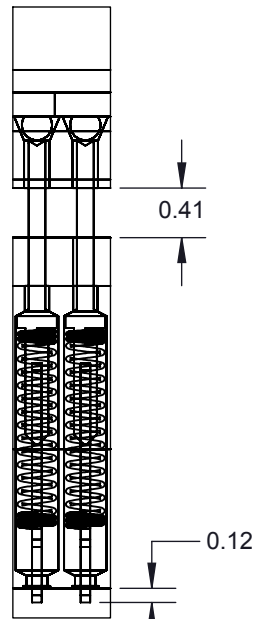
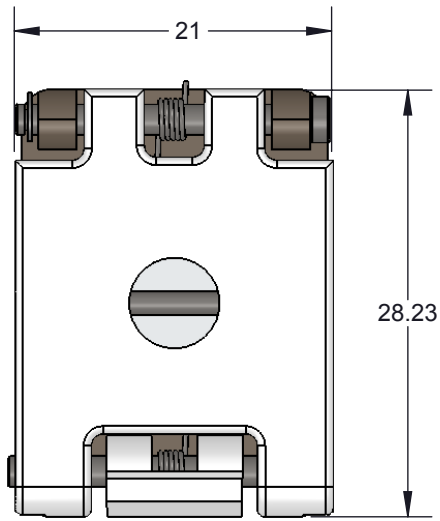


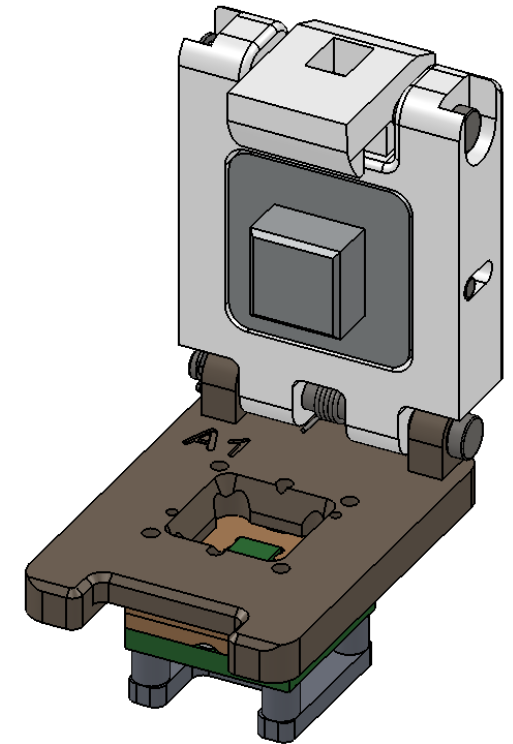
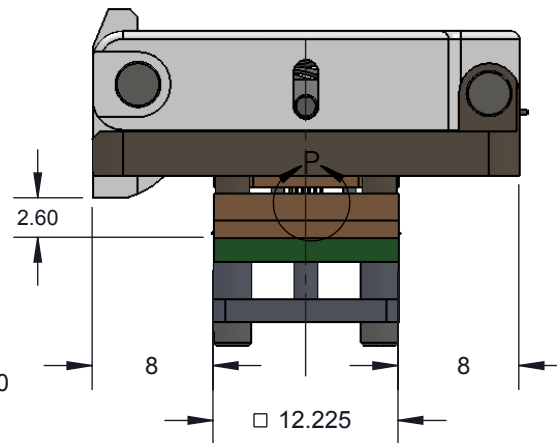
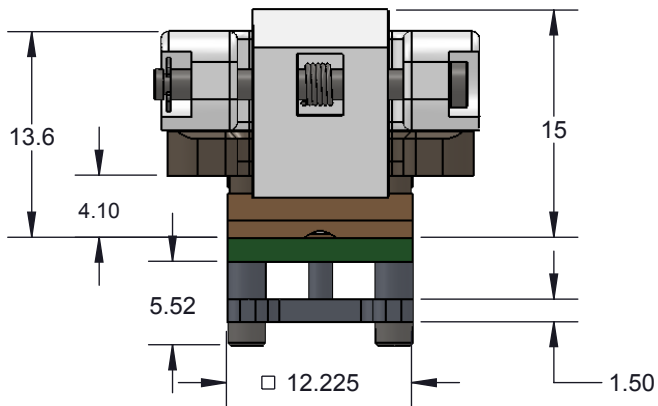
CBT-BGA DIRECT MOUNT, SOLDERLESS SOCKET FOR BURN-IN AND TEST APPLICATIONS



DETAIL P
SCALE 16 : 1

FEATURES:


- Wide temperature range (-55C to +180C)
- Current capability up to 1.8A @ room temp. with 30C Temp rise
- Excellent signal integrity at high frequencies
- Low and stable contact resistance for reliable production yield
- Highly compliant to accommodate wide co-planarity variations
- Automated probe manufacturing enables low cost and short lead time

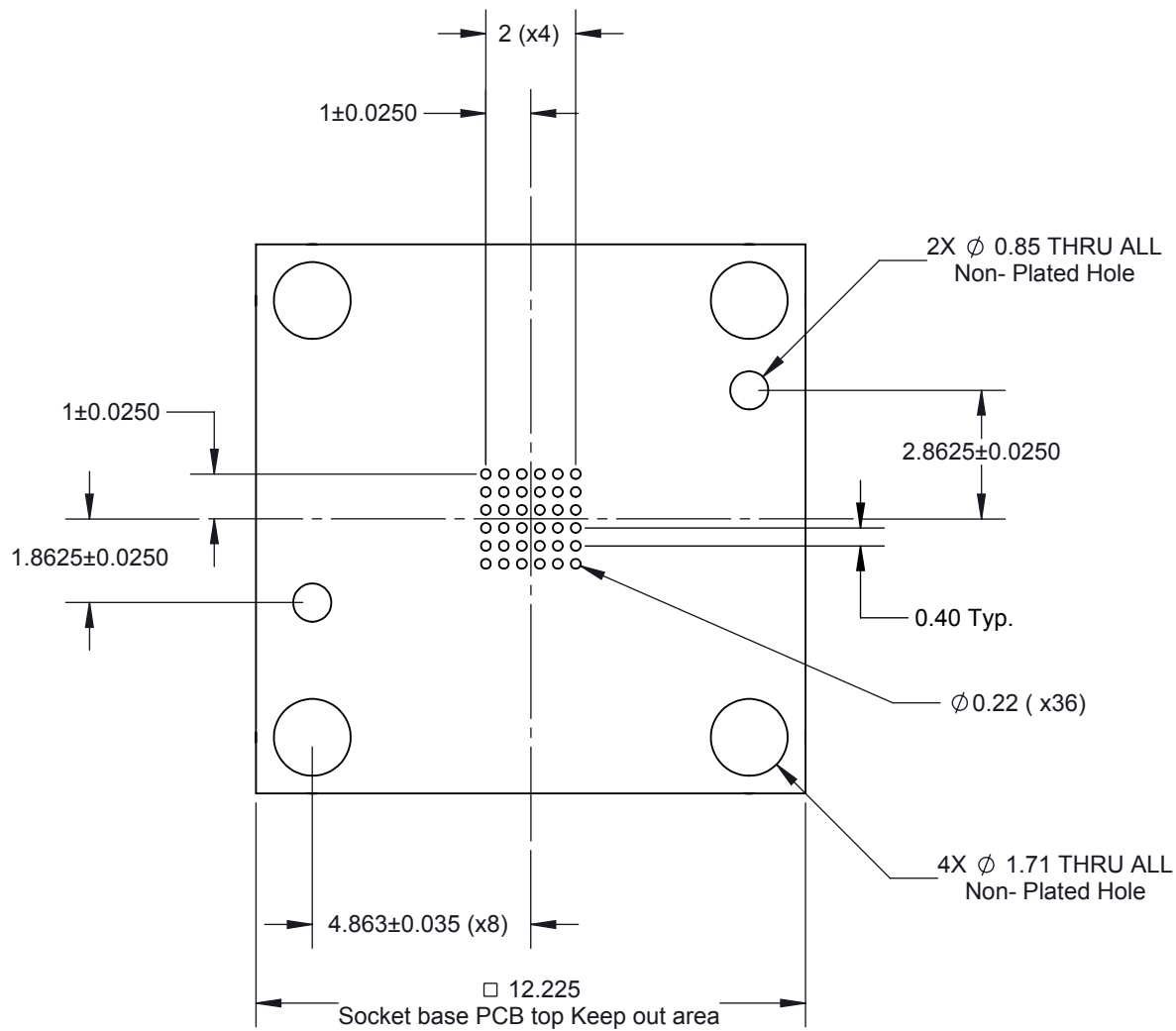


Description: CBT-BGA36 3x3mm 0.4mm pitch 6x6 array

Primary dimension units are millimeters, Secondary dimension units are [inches], Weight is in grams.

Tolerances: Hole diameters $\pm 0.03\text{mm}$ [$\pm 0.001"$], Pitches (from true position) $\pm 0.025\text{mm}$ [$\pm 0.001"$], substrate thickness tolerance $\pm 10\%$, all other tolerances $\pm 0.13\text{mm}$ [$\pm 0.005"$] unless stated otherwise. Materials and specifications are subject to change without notice.

 CBT-BGA-7500 Drawing Ironwood Electronics, Inc. Tele: (800) 404-0204 www.ironwoodelectronics.com	Material: N/A Finish: N/A Weight: 12.77	STATUS: Released ENG: V. Panavala FILE: CBT-BGA-7500	SHEET: 1 OF 4 DRAWN BY: V. Panavala DATE: 6/4/13	REV. A SCALE: 2:1




Target PCB Recommendations
 Total thickness: 1.6mm min.
 Plating: Gold or Solder finish

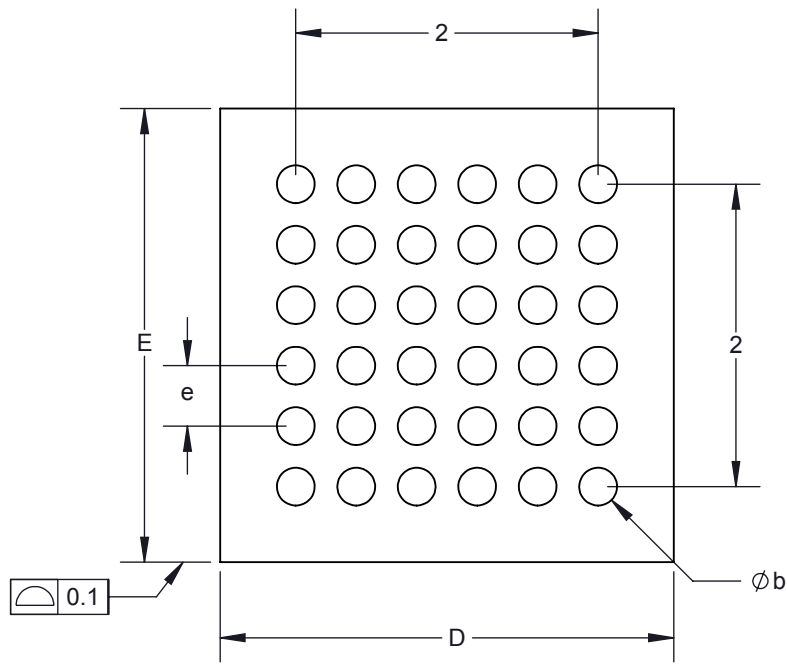
Description: Recommended PCB Layout

Primary dimension units are millimeters, Secondary dimension units are [inches], Weight is in grams.

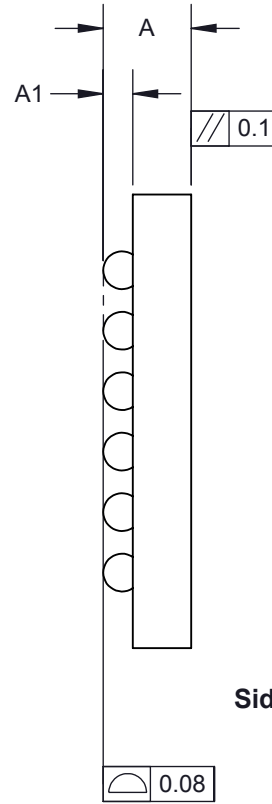
Tolerances: Hole diameters ±0.03mm [±0.001"], Pitches (from true position) ±0.025mm [±0.001"], substrate thickness tolerance ±10%, all other tolerances ±0.13mm [±0.005"] unless stated otherwise. Materials and specifications are subject to change without notice.

 CBT-BGA-7500 Drawing Ironwood Electronics, Inc. Tele: (800) 404-0204 www.ironwoodelectronics.com	Material: N/A Finish: N/A Weight: 12.77	STATUS: Released	SHEET: 2 OF 4	REV. A
		DRAWN BY: V. Panavala	SCALE: 6:1	
		FILE: CBT-BGA-7500	DATE: 6/4/13	

Ironwood Package Code: BGA36E



Bottom view




Side view

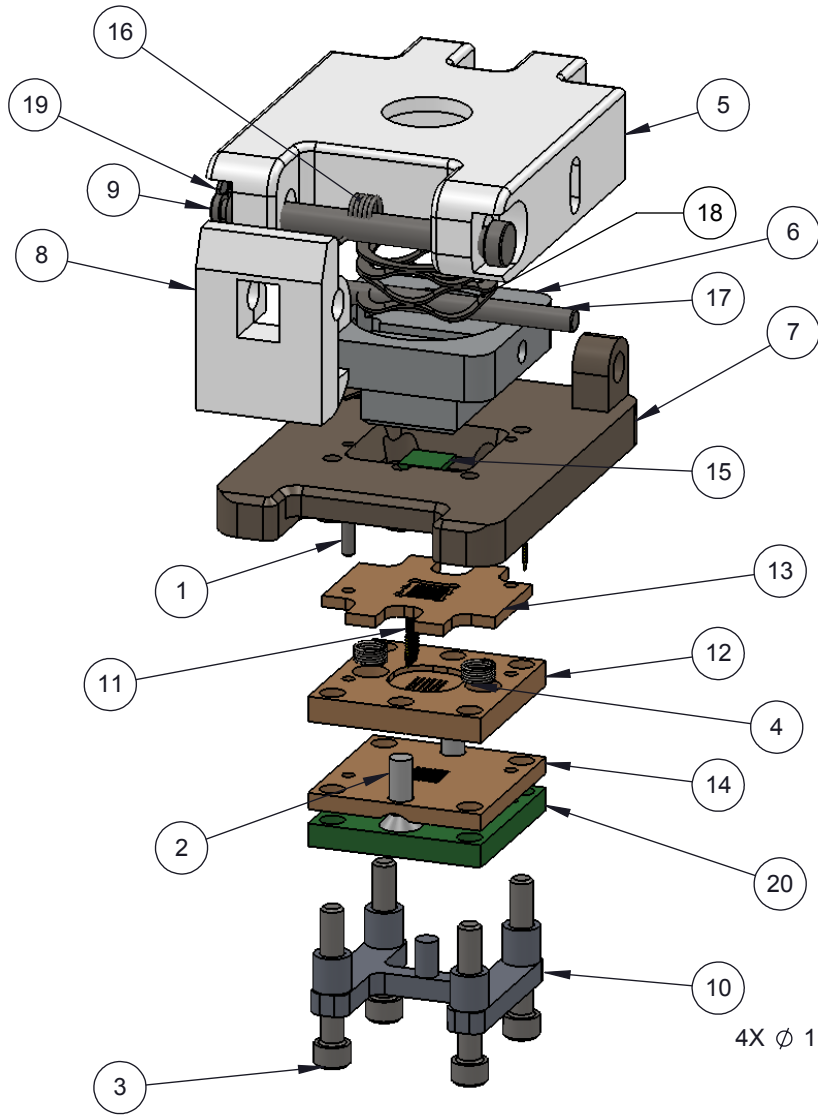
DIM	Minimum	Maximum
A	0.55	0.65
b	0.20	0.30
D	3.0 BSC	
E	3.0 BSC	
A1	0.13	0.23
e	0.4 BSC	
PIN COUNT		36

Description: Compatible BGA

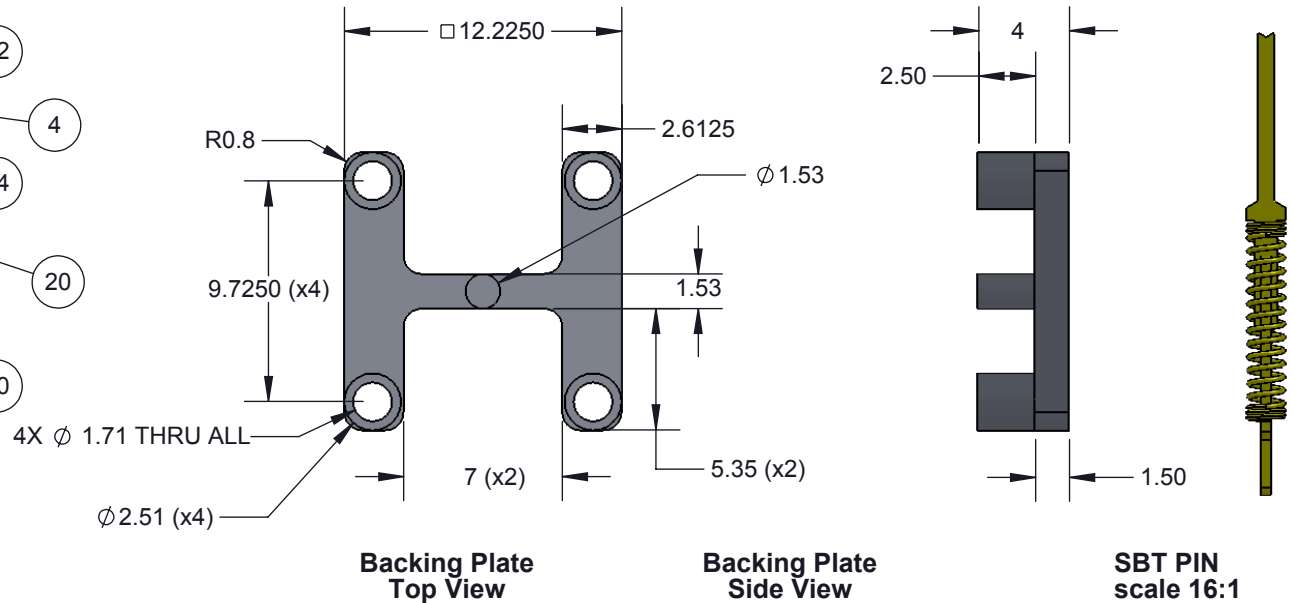
Primary dimension units are millimeters, Secondary dimension units are [inches], Weight is in grams.

Tolerances: Hole diameters $\pm 0.03\text{mm}$ [$\pm 0.001"$], Pitches (from true position) $\pm 0.025\text{mm}$ [$\pm 0.001"$], substrate thickness tolerance $\pm 10\%$, all other tolerances $\pm 0.13\text{mm}$ [$\pm 0.005"$] unless stated otherwise. Materials and specifications are subject to change without notice.

 <p>CBT-BGA-7500 Drawing Ironwood Electronics, Inc. Tele: (800) 404-0204 www.ironwoodelectronics.com</p>	<p>Material: N/A Finish: N/A Weight: 12.77</p>	<p>STATUS: Released ENG: V. Panavala FILE: CBT-BGA-7500</p>	<p>SHEET: 3 OF 4 DRAWN BY: V. Panavala DATE: 6/4/13</p>	<p>REV. A SCALE: 20:1</p>
---	--	---	---	-------------------------------




ITEM NO.	DESCRIPTION	Material
1	Dowel pin, 1/32" X 1/4", SS	Stainless Steel (18-8)
2	Screw, #0-80 X .188", Flat, SS	Stainless Steel (18-8)
3	#0-80 X .375 LG, SOC HD CAP SCREW, ALLOY STL, BLK OXIDE	Alloy Steel
4	Floating Guide Spring	Alloy Steel (SS)
5	12mm Plastic Snap Clamshell Socket Lid	PPS/Ultem
6	Compression Plate 7x7mm	7075-T6 Aluminum Alloy
7	Clamshell socket base with posts, 7mm	7075-T6 Aluminum Alloy
8	Clamshell Latch Snap Lid Socket	PPS/Ultem
9	2mm diameter Hinge Pin, 20 mm long	Alloy Steel
10	Clamshell Backing Plate, 7mm IC 5 post "H" shaped	7075-T6 Aluminum Alloy
11	Stamped Pin, 0.4mm SBT-BGA	N/A
12	BGA36 0.4mm SBT Top spring pin guide	Semitron MDS 100
13	Floating guide 3x3mm IC 0.4mm BGA36	Semitron MDS 100
14	BGA36 0.4mm SBT Bottom spring pin guide	Semitron MDS 100
15	BGA36 IC, 3x3mm 0.4mm pitch	High Temp FR4
16	Torsion Spring, 180 0.109" OD, Ccw/Rh	Steel Music Wire
17	Dowel Pin, M1.5 X 20mm LG, 18-8 SS	AISI 347 Annealed Stainless Steel (SS)
18	Wave Spring 0.375"OD 0.15" In 100lbs/in	Steel Music Wire
19	Snap ring for 2mm Hinge pin 0.15" OD	
20	PCB 0.4mm pitch 3x3mm IC BGA36	High Temp FR4



Description: Socket Assy, detail

Primary dimension units are millimeters, Secondary dimension units are [inches], Weight is in grams.

Tolerances: Hole diameters $\pm 0.03\text{mm}$ [± 0.001 "], Pitches (from true position) $\pm 0.025\text{mm}$ [± 0.001 "], substrate thickness tolerance $\pm 10\%$, all other tolerances $\pm 0.13\text{mm}$ [± 0.005 "] unless stated otherwise. Materials and specifications are subject to change without notice.

 CBT-BGA-7500 Drawing Ironwood Electronics, Inc. Tele: (800) 404-0204 www.ironwoodelectronics.com	Material: N/A Finish: N/A Weight: 12.77	STATUS: Released	SHEET: 4 OF 4	REV. A
		ENG: V. Panavala	DRAWN BY: V. Panavala	SCALE: 2:1
		FILE: CBT-BGA-7500	DATE: 6/4/13	