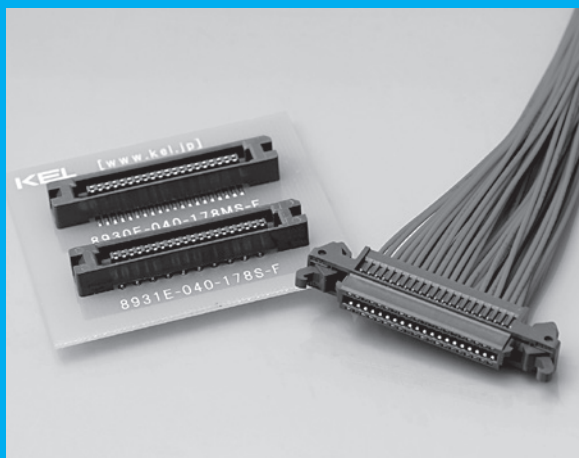


# 8929E SERIES

## 1.27mm PITCH CONNECTOR FOR DISCRETE CABLE/ CRIMP TYPE

RoHS  
Compliant



### FEATURES

- ▶ Highly reliable contact design with independent and synchronized spring.
- ▶ Low insertion and withdrawal force.
- ▶ Insulator protects contacts from damage.
- ▶ Connectors with the Eject-Lock mechanism, allowing one-handed insertion and release.
- ▶ PCB side connector 8930E/8931E series can be mated with 8900 board to board connector series as mating combination.
- ▶ For discrete cable. (#26 AWG, #28 AWG and #30 AWG)

### ORDER CODE

**8929E** -

①

②

\*Please order in multiples of the quantity per package.

① **[Type]** **8929E**: Receptacle(Cable side connector)

② **[Number of contacts]** **030**: 30 pin **040**: 40 pin **050**: 50 pin **060**: 60 pin **068**: 68 pin

\*Above order code 8929E-□□□ is for the housing only, contact terminals are sold separately. About #569 order code, Please refer next page.

### ORDER CODE

**893**   **E** -    **-178**   **-F**

①

②

③

④

⑤

\*Please order in multiples of the quantity per package.

① **[Type]** Plug(PCB side connector) **8930E**: Without hooks, SMT **8931E**: With hooks, Through hole

② **[Number of contacts]** **030**: 30pin **040**: 40pin **050**: 50pin **060**: 60pin **068**: 68pin

③ **[Contact name]** **178**

④ **[Contact tail style]** **S**: Straight, Through hole **L**: Right angle, Through hole **MS**: Straight, SMT (8930E)

⑤ **[RoHS]** **F**: RoHS Compliant

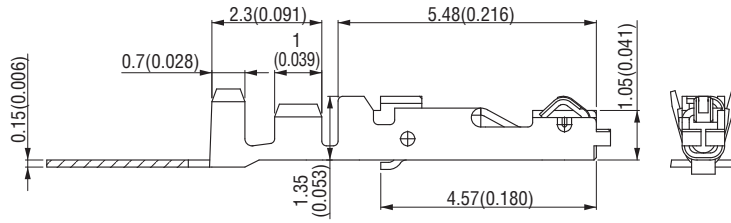
### SPECIFICATIONS

Material and plating		Electrical Characteristics	
Insulator material	[8929E] Glass-filled Nylon 66 (UL 94V-0), Brown	Current rating	1A per contact
	[8930E/8931E] Glass-filled PPS (UL 94V-0), Brown	Contact resistance	50mΩ max.
Contact material	Copper alloy	Dielectric withstanding voltage	[8929E] 300V AC for 1 minute
Contact plating	[8929E] (Contact area) Gold over Nickel (Crimping area) Tin over Nickel [893□E] Gold over Nickel		[893□E] 650V AC for 1 minute
Lock material	Glass-filled Nylon 66 (UL 94V-0), Brown	Insulation resistance	[8929E] 1000MΩ min. at 250V DC [893□E] 1000MΩ min. at 500V DC
Retention clip material	Copper alloy	Operating temperature	-40°C to +85°C
Retention clip plating	Tin copper over Nickel	Recommended cable	#26/28/30 AWG Discrete wire cable (insulation Dia. : φ1mm(0.039") max.)

## Contact Terminal

Unit : mm(inch)

◆ Contact terminal for 8929E-□□□ receptacle (Cable side connector)



Packaging style

Tape & Reel

### ▶ Product Table

Part Number	Number of packaging
#569	20,000

ORDER CODE

**#569**

①

\*Please order in multiples of the quantity per package.

① **【Contact name】**

**#569** : Crimping type contact for 8929E

## Assembly Tool

### ▶ Hand Tool

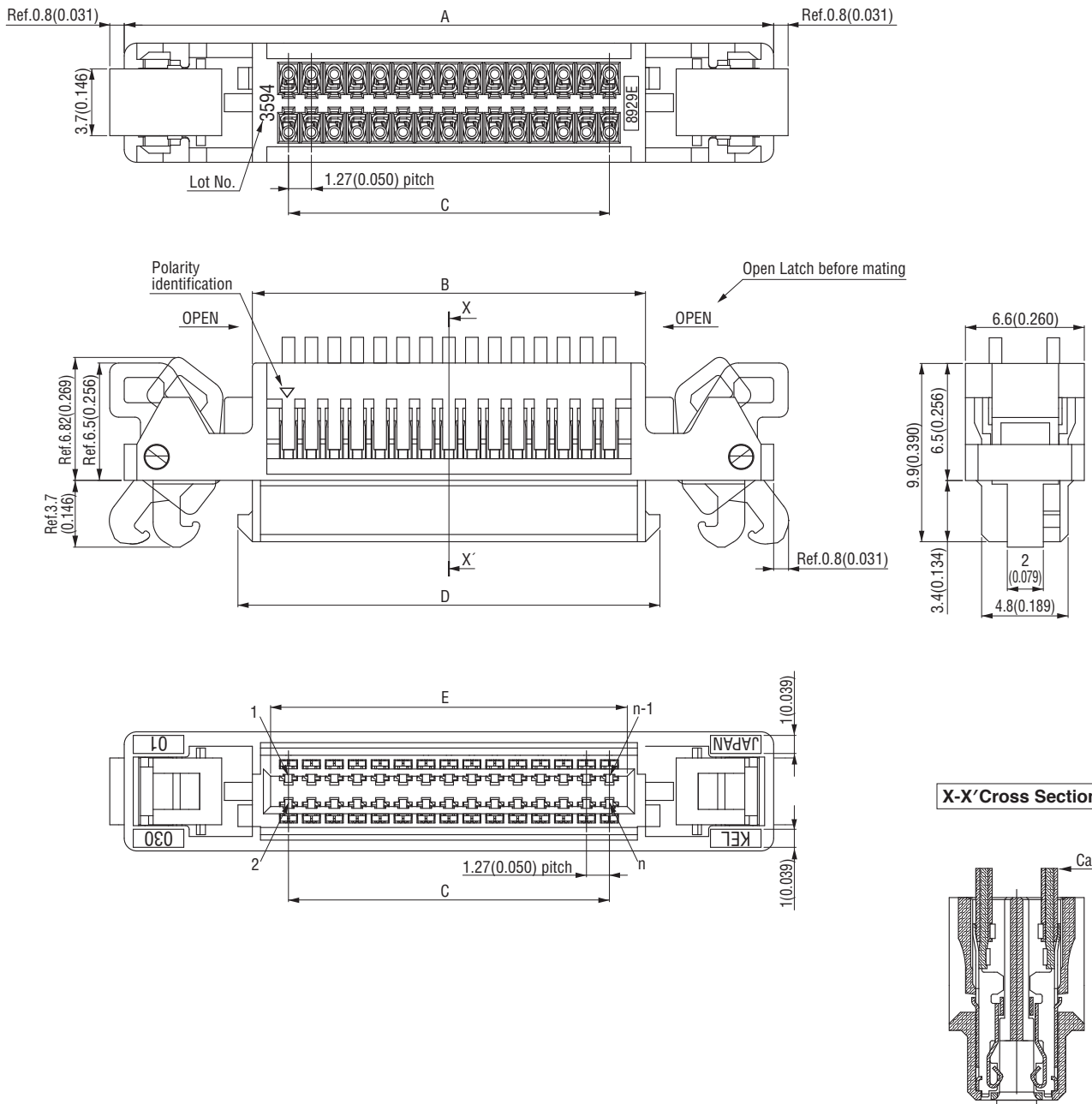
Part Number	CH-03
Mating Cable	#26 AWG, #28 AWG, #30 AWG
Mating Contact	#569

\* Insulation Dia. :  $\phi$ 1mm max.

### ▶ Crimping Machine

Mating Contact	#569
Manufacturer	JAPAN AUTOMATIC MACHINE CO., LTD
Crimping Machine	LPC220S
Applicator	DFS790800

A crimping machine and applicator are available for purchase from Japan Automatic Machine Co., Ltd.



Packaging style
Pipe

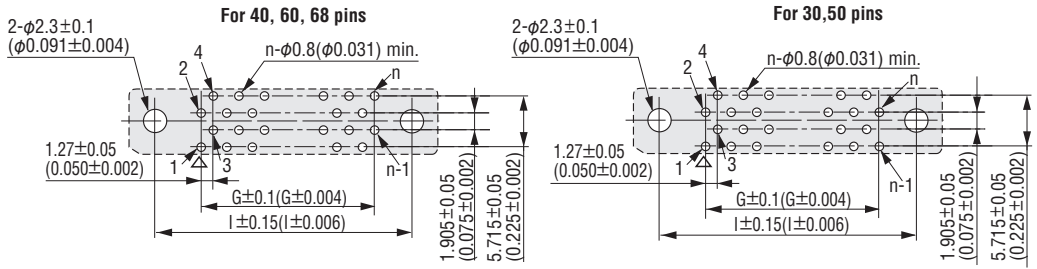
### Product Table / Dimensions

No. of contacts	Part Number	A	B	C	D	E	Number of packaging
30	8929E-030	35.78 (1.409)	21.78 (0.857)	17.78 (0.700)	23.38 (0.920)	19.78 (0.779)	13
40	8929E-040	42.13 (1.659)	28.13 (1.107)	24.13 (0.950)	29.73 (1.170)	26.13 (1.029)	11
50	8929E-050	48.48 (1.909)	34.48 (1.357)	30.48 (1.200)	36.08 (1.420)	32.48 (1.279)	10
60	8929E-060	54.83 (2.159)	40.83 (1.607)	36.83 (1.450)	42.43 (1.670)	38.83 (1.529)	9
68	8929E-068	59.91 (2.359)	45.91 (1.807)	41.91 (1.650)	47.51 (1.870)	43.91 (1.729)	8

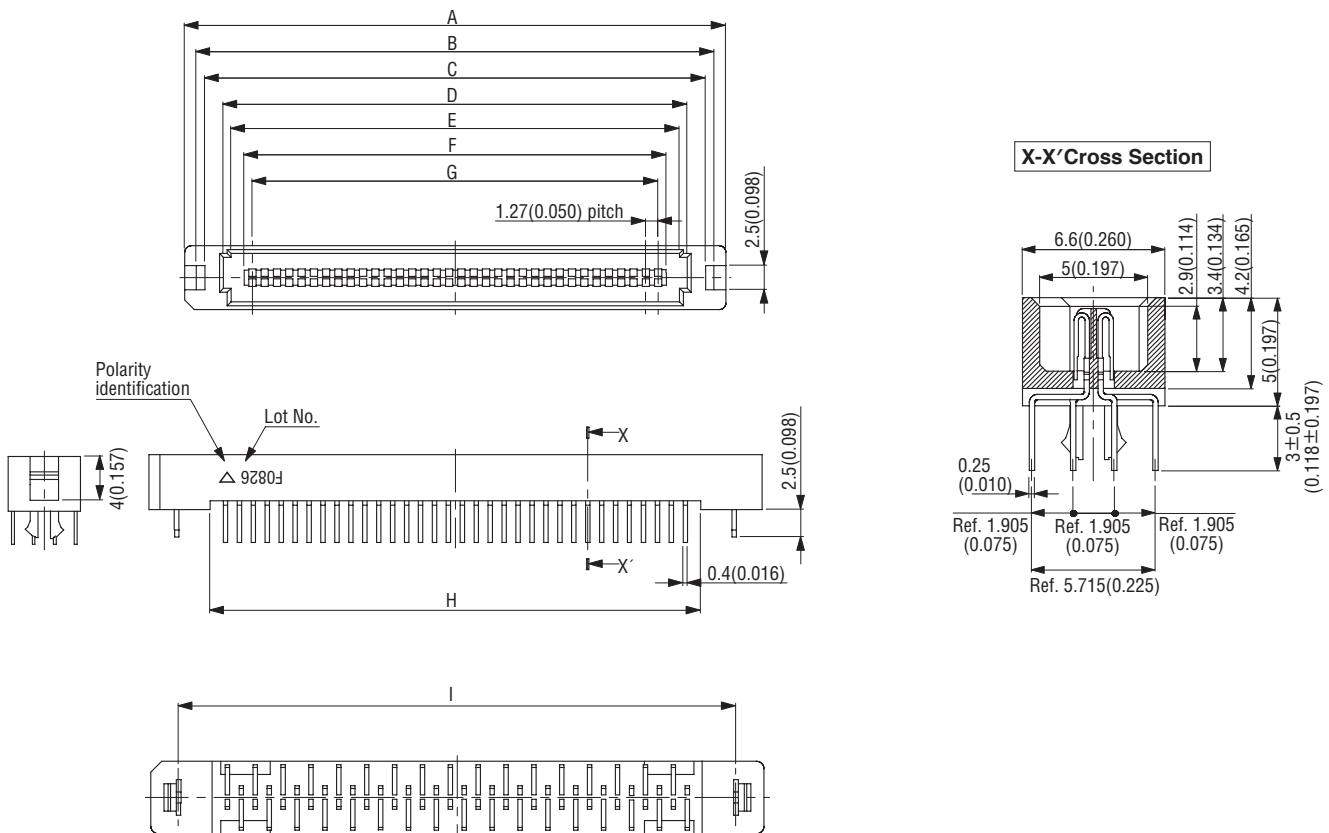
# 8931E-□□□-178S-F (Plug, PCB side connector, Straight , With hooks)

Unit : mm (inch)

## Printed Circuit Board Layout (Component Side View)



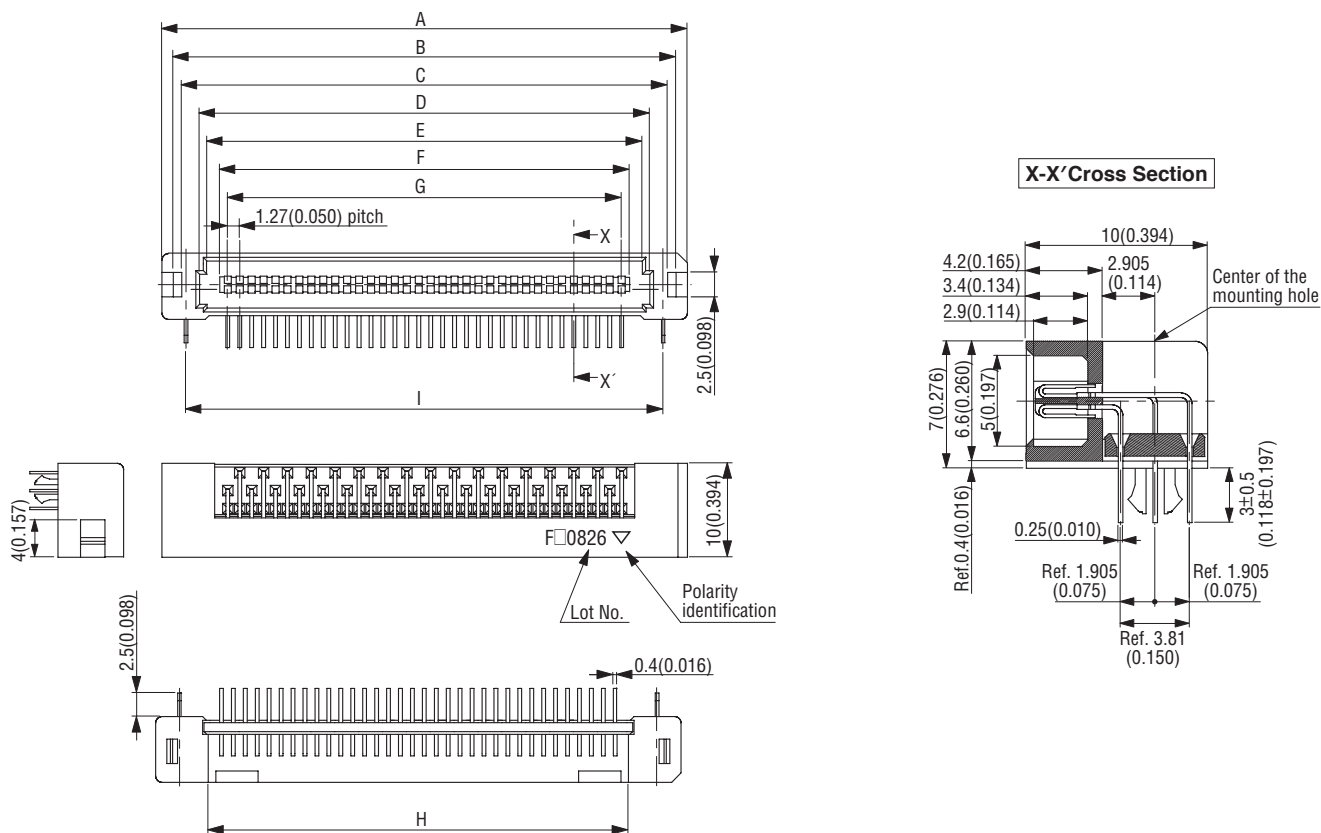
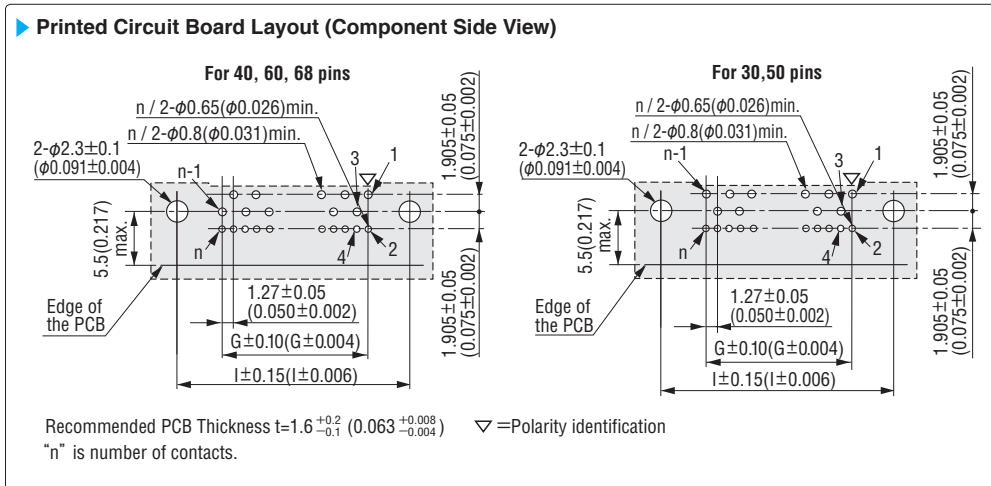
Recommended PCB Thickness  $t = 1.6^{+0.2}_{-0.1}$  ( $0.063^{+0.008}_{-0.004}$ )    ▽ = Polarity identification  
 "n" is number of contacts.



Packaging style  
Pipe

## Product Table / Dimensions

No. of contacts	Part Number	A	B	C	D	E	F	G	H	I	Number of packaging
30	8931E-030-178S-F	31.78 (1.251)	29.38 (1.157)	27.58 (1.086)	23.78 (0.936)	22.18 (0.873)	19.48 (0.767)	17.78 (0.700)	20.58 (0.810)	26.67 (1.050)	16
40	8931E-040-178S-F	38.13 (1.501)	35.73 (1.407)	33.93 (1.336)	30.13 (1.186)	28.53 (1.123)	25.83 (1.017)	24.13 (0.950)	26.93 (1.060)	33.02 (1.300)	13
50	8931E-050-178S-F	44.48 (1.751)	42.08 (1.657)	40.28 (1.586)	36.48 (1.436)	34.88 (1.373)	32.18 (1.267)	30.48 (1.200)	33.28 (1.310)	39.37 (1.550)	11
60	8931E-060-178S-F	50.83 (2.001)	48.43 (1.907)	46.63 (1.836)	42.83 (1.686)	41.23 (1.623)	38.53 (1.517)	36.83 (1.450)	39.63 (1.560)	45.72 (1.800)	10
68	8931E-068-178S-F	55.91 (2.201)	53.51 (2.107)	51.71 (2.036)	47.91 (1.886)	46.31 (1.823)	43.61 (1.717)	41.91 (1.650)	44.71 (1.760)	50.80 (2.000)	9



Packaging style
Pipe

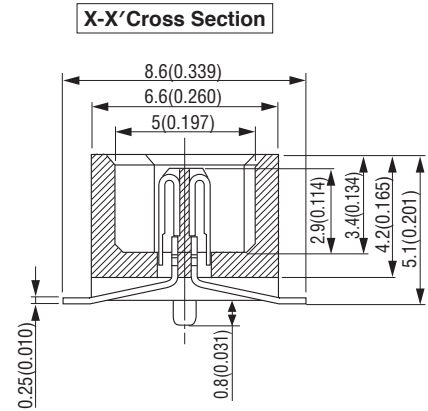
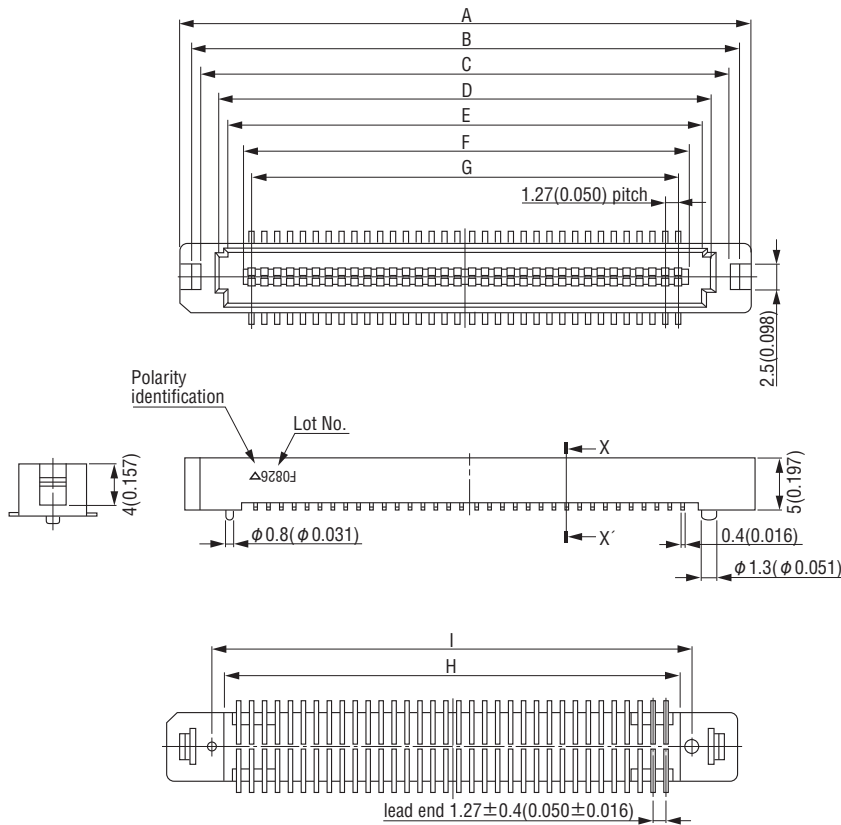
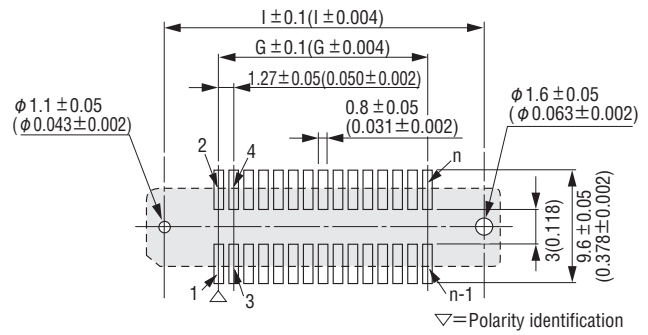
**Product Table / Dimensions**

No. of contacts	Part Number	A	B	C	D	E	F	G	H	I	Number of packaging
30	8931E-030-178L-F	31.78 (1.251)	29.38 (1.157)	27.58 (1.086)	23.78 (0.936)	22.18 (0.873)	19.48 (0.767)	17.78 (0.700)	20.58 (0.810)	26.67 (1.050)	16
40	8931E-040-178L-F	38.13 (1.501)	35.73 (1.407)	33.93 (1.336)	30.13 (1.186)	28.53 (1.123)	25.83 (1.017)	24.13 (0.950)	26.93 (1.060)	33.02 (1.300)	13
50	8931E-050-178L-F	44.48 (1.751)	42.08 (1.657)	40.28 (1.586)	36.48 (1.436)	34.88 (1.373)	32.18 (1.267)	30.48 (1.200)	33.28 (1.310)	39.37 (1.550)	11
60	8931E-060-178L-F	50.83 (2.001)	48.43 (1.907)	46.63 (1.836)	42.83 (1.686)	41.23 (1.623)	38.53 (1.517)	36.83 (1.450)	39.63 (1.560)	45.72 (1.800)	10
68	8931E-068-178L-F	55.91 (2.201)	53.51 (2.107)	51.71 (2.036)	47.91 (1.886)	46.31 (1.823)	43.61 (1.717)	41.91 (1.650)	44.71 (1.760)	50.80 (2.000)	9

# 8930E-□□□-178MS-F (Plug, PCB side connector, Straight, SMT)

Unit : mm(inch)

## Printed Circuit Board Layout (Component Side View)



Packaging style
Pipe

## Product Table / Dimensions

No. of contacts	Part Number	A	B	C	D	E	F	G	H	I	Number of packaging
30	8930E-030-178MS-F	31.78 (1.251)	29.38 (1.157)	27.58 (1.086)	23.78 (0.936)	22.18 (0.873)	19.48 (0.767)	17.78 (0.700)	20.58 (0.810)	22.86 (0.900)	16
40	8930E-040-178MS-F	38.13 (1.501)	35.73 (1.407)	33.93 (1.336)	30.13 (1.186)	28.53 (1.123)	25.83 (1.017)	24.13 (0.950)	26.93 (1.060)	29.21 (1.150)	13
50	8930E-050-178MS-F	44.48 (1.751)	42.08 (1.657)	40.28 (1.586)	36.48 (1.436)	34.88 (1.373)	32.18 (1.267)	30.48 (1.200)	33.28 (1.310)	35.56 (1.400)	11
60	8930E-060-178MS-F	50.83 (2.001)	48.43 (1.907)	46.63 (1.836)	42.83 (1.686)	41.23 (1.623)	38.53 (1.517)	36.83 (1.450)	39.63 (1.560)	41.91 (1.650)	10
68	8930E-068-178MS-F	55.91 (2.201)	53.51 (2.107)	51.71 (2.036)	47.91 (1.886)	46.31 (1.823)	43.61 (1.717)	41.91 (1.650)	44.71 (1.760)	46.99 (1.850)	9