



actual size

Oscillator JO22 · 1.8 V ~ 3.3 V

- SMD Oscillator with Stop Function · 2.5 x 2.0 mm
- LVCMOS / HCMOS compatible output
- Variable supply voltage 1.8 V ~ 3.3 V
- Very low current consumption
- Seam sealed ceramic/metal package



RoHS compliant



Pb free



REACH compliant



Conflict mineral free

GENERAL DATA		JO22 1.8 V ~ 3.3 V
TYPE	JO22 1.8 V ~ 3.3 V	
frequency range	1.0 ~ 50.0 MHz (15 pF max.)	
frequency stability over all*	± 25 ppm ~ ± 100 ppm (see table 1)	
current consumption	see table 2	
supply voltage V _{DC}	1.8 V -10% ~ 3.3 +10% variable	
temperature	operating	-10 °C ~ +70 °C up to -40 °C ~ +125 °C (table 1)
	storage	-55 °C ~ +125 °C
output	rise & fall time	6 ns max. (1.8 V) / 5 ns max. (≥ 2.5 V)
	load max.	15 pF
	current max.	4.0 mA
	low level max.	0.4 V
	high level min.	V _{DC} - 0.4 V
output enable time max.	5 ms	
output disable time max.	200 ns	
start-up time max.	5 ms (t ₀ when V _{DC} > 1.8 V)	
standby function	stop	
standby current max.	10 µA (T1) / 20 µA (T2, T3)	
phase jitter 12 kHz ~ 20.0 MHz	< 1.0 ps RMS	
symmetry at 0.5 x V _{DC}	45% ~ 55% max. (ref. +25 °C)	

note: rise time: 0.1 VDC ~ 0.9 VDC / fall time: 0.9 VDC ~ 0.1 VDC

TABLE 1: FREQUENCY STABILITY CODE					
stability code		A	B	G	C
		± 100 ppm	±50 ppm	± 30 ppm	± 25 ppm
-20 °C ~ +70 °C		○	○	○	○
-40 °C ~ +85 °C	T1	○	○	○	
-40 °C ~ +105 °C	T2*	○	○		
-40 °C ~ +125 °C	T3*	○			

○ available

includes stability at 25 °C, operating temp. range, supply voltage change, shock and vibration, aging 1st year.

* only certain frequencies, ask for availability

TABLE 2: CURRENT CONSUMPTION MAX.				
Supply current max.	load	1.8 V	2.5 V	3.3 V
1.0 ~ 9.9 MHz	15 pF	1.0 mA	1.3 mA	2.0 mA
10.0 ~ 19.9 MHz	15 pF	1.6 mA	2.0 mA	3.0 mA
20.0 ~ 29.9 MHz	15 pF	2.2 mA	3.0 mA	4.0 mA
30.0 ~ 39.9 MHz	15 pF	2.5 mA	3.5 mA	5.0 mA
40.0 ~ 50.0 MHz	15 pF	3.0 mA	4.5 mA	6.0 mA

note: please also refer to I/V plots showing typical supply current at 5pF / 10pF / 15pF

DIMENSIONS

top view side view bottom view pad layout pin connection in mm

1: e/d
2: ground
3: output
4: V_{DC}

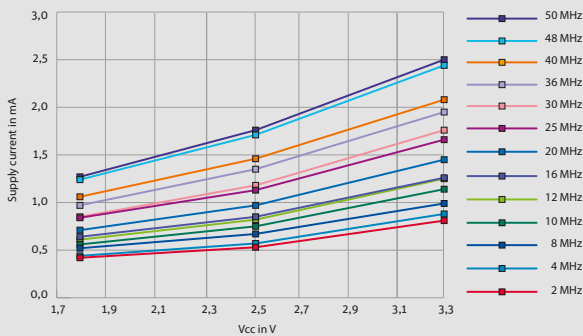
ORDER INFORMATION

0	frequency	type	frequency stability code	supply voltage code	output load code	option
Oscillator	1.0 ~ 50.0 MHz	JO22	see table 1	1V3 = 1.8 V ~ 3.3 V	1 = 15 pF	blank = -20 °C ~ +70 °C T1 = -40 °C ~ +85 °C T2 = -40 °C ~ +105 °C T3 = -40 °C ~ +125 °C

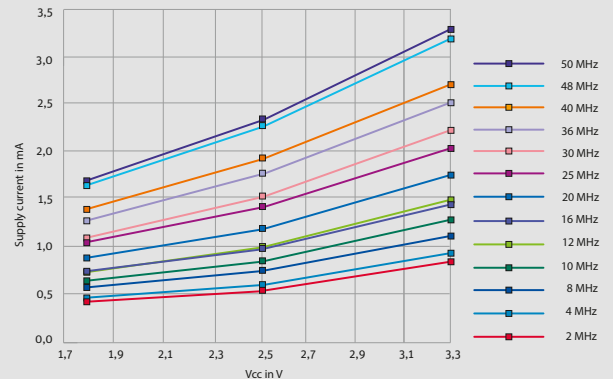
Example: 0 20.0-JO22-G-1V3-1-T1-LF (Suffix LF = RoHS compliant / Pb free)

Oscillator J022 · 1.8 V ~3.3 V · Stop Function

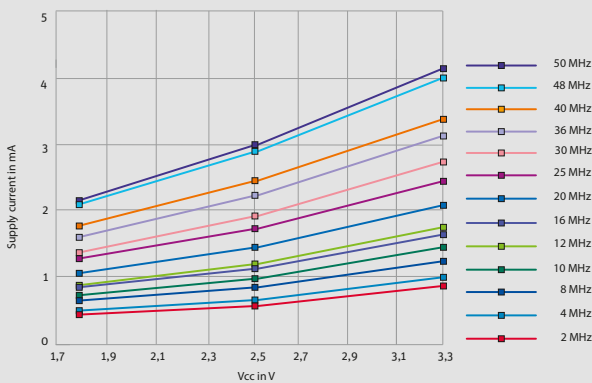
SUPPLY CURRENT VS. V_{CC} AT DIFFERENT FREQUENCIES; CL = 5 PF



SUPPLY CURRENT VS. V_{CC} AT DIFFERENT FREQUENCIES; CL = 10 PF



SUPPLY CURRENT VS. V_{CC} AT DIFFERENT FREQUENCIES; CL = 15 PF



ENABLE / DISABLE FUNCTION

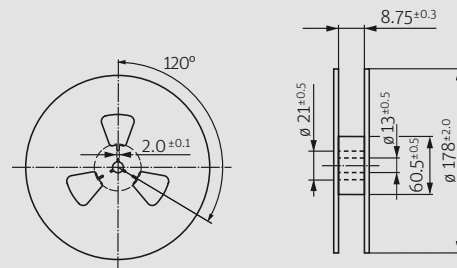
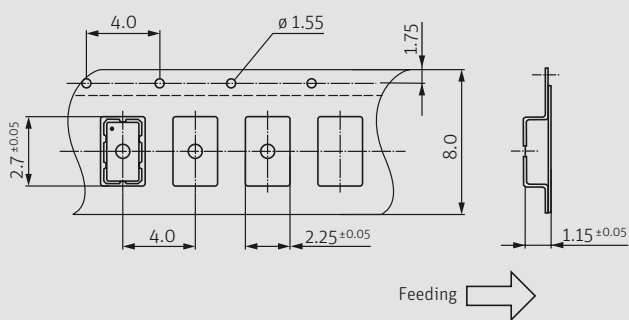
pin #1 (e/d control)	pin #3 (output)
open	active
high "1" ($V_{IH} \geq 0.8 V_{DC}$)	active
low "0" ($V_{IL} \leq 0.2 V_{DC}$)	high impedance

stop function:
 • oscillator stops
 • output high impedance

PACKAGING NOTE

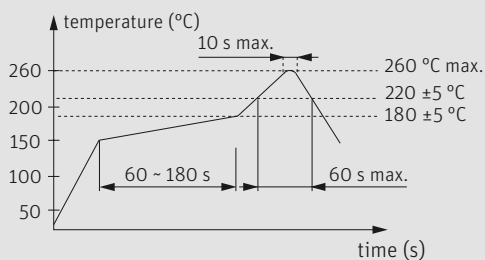
- standard packing unit is 500 pieces per reel
- non-multiple packing units are only supplied taped / bulk

TAPING SPECIFICATION



in mm

REFLOW SOLDERING PROFILE



note: parts are also suitable for soldering systems with lead (Pb) content

MARKING

frequency
 company / stability code / date code

date code: A ~ M: Jan. - Dec.

7: 2017 8: 2018 9: 2019 0: 2020 1: 2021 2: 2022

Jan.	Febr.	Mar.	Apr.	May	June
A	B	C	D	E	F
July	Aug.	Sept.	Oct.	Nov.	Dec.
G	H	J	K	L	M