



ODS Electronics

Quality Products · Innovative Solution



Industrial Automation

Passive Connectivity



ODS Electronics

Quality Products · Innovative Solution

About ODS

ODS Electronics Co., Ltd., established in 2011, is a professional designer and manufacturer of waterproof connector solution for harsh and rugged environment conditions. Our mission is to commit to our client's success by providing a competitive and the highest quality connector solution. This spirit is also shown in our logo 'ODS' which means Outdoor Solutions provider.

ODS has earned its reputation as a world-class supplier by consistently providing quality products, service excellence and aggressive delivery schedules. Each customer has a unique request and design, hence, flexibility is always our first concern. We help customers in solving troublesome logistics and design problems with excellent waterproof flexibility and competitive cost. It is this understanding that makes ODS grow. As ODS has its own factories, so our model functions can standardize and customize components and make deliveries on design basis. With this model, ODS brings greater speed, agility, quality and efficiency to every customer.



· ODS HQ, Taipei, Taiwan



· ODS Kunshan, China



B.C.E. s.r.l.
Via Regina Pacis, 54/c - 41049 SASSUOLO (MO) Italy
Tel. +39 0536 811.616 r.a. - Fax +39 0536 811.500
www.bce.it - E-mail: bce@bce.it



Our Strategic Focus

Customer Focus

We care about our customers: your problems and needs are our problems and needs. We devote ourselves to providing waterproof connector solutions, customized and even total solution that would exceed your expectations and give your business an edge.

Innovation

We pride ourselves in powering businesses with relentless innovation in technologies, approaches, methodologies and processes. ODS team is dedicated to improving the agility and scalability our clients' businesses and both are rewarded by the results.



Teamwork

We encourage good relationships among our employees to promote the trade of ideas and foster a collaborative spirit. We also team up with our clients to make an alliance that is greater than the sum of its parts.

Excellence

We never settle, but continually improve upon our work to ensure we provide our clients the best possible service and innovative solutions. Our standards for excellence enable our clients to benefit their own customers.

Certificates



Quality



Quality Policy

- All take participation
- Details are focused
- Improvements are running
- Requirements are realized

Quality Commitment

- Implement ISO9001 quality management system
- Deeply root the quality ideology into everyone's heart
- Continuously rise up the management & product quality level

Environmental Policy

- Obey the environmental rules
- Realize the environmental protection
- Utilize the resources effectively
- Forbid any kind of waste

Environmental Commitment

- Implement RoHS & ISO14001 Management Systems
- Deeply root the environmental protection ideology into everyone's heart
- Continuously decrease the usage of hazard substances to make products



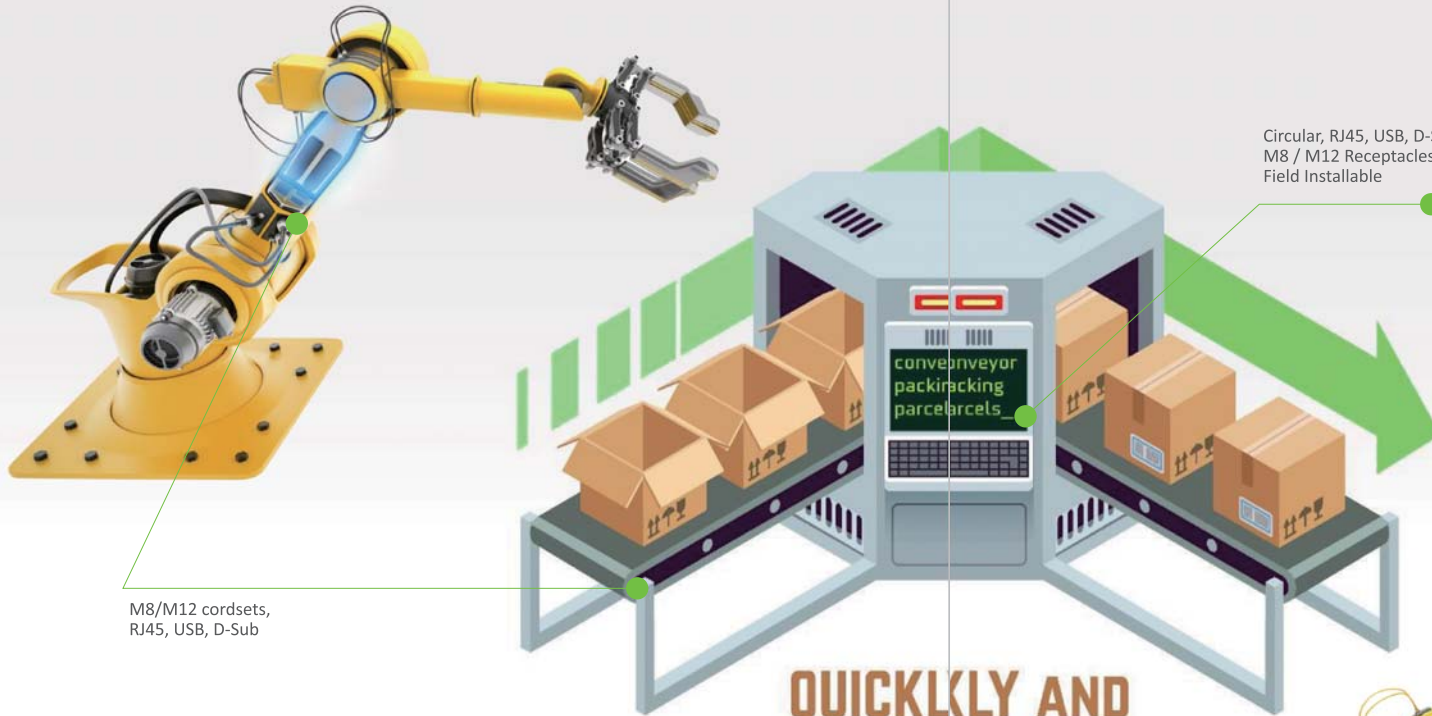
Industrial Automation



B.C.E. s.r.l.
 Via Regina Pacis, 54/c - 41049 SASSUOLO (MO) Italy
 Tel. +39 0536 811.616 r.a. - Fax +39 0536 811.500
 www.bce.it - E-mail: bce@bce.it



Typical Concept of Factory Automation



Industrial Automation facilitates to increase the product quality, reliability and production rate while reducing production and design cost by adopting new, innovative and integrated technologies and services. Within the control chain, the Fieldbus links PLCs to the components, which perform the work on an assembly line. These components include sensors and actuators and M8 and M12 sensor connectors were adopted to ensure proper connection to industrial components and to protect the interconnection from foreign particulates, dust, water, and hazardous substances.

QUICKLY AND EFFICIENTLY
 CONVEYOR PACKAGING PARCELS



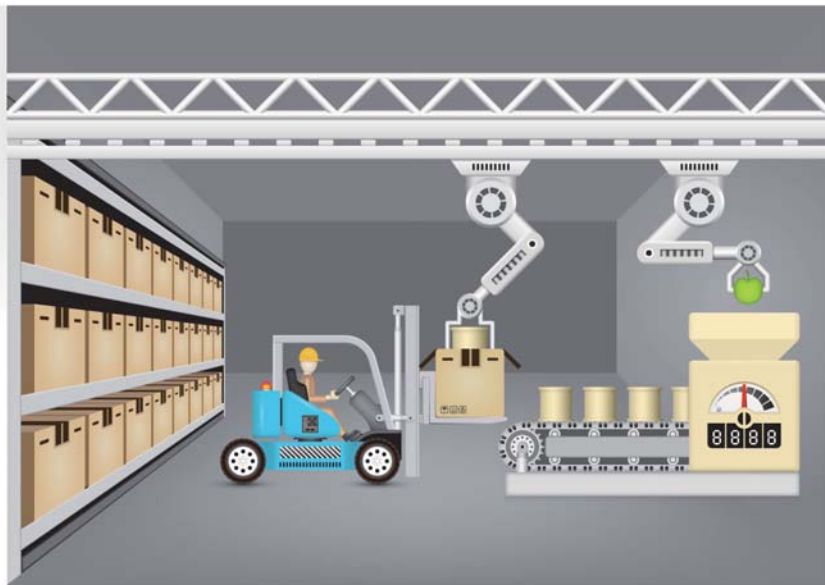
Today's highly increasing competitiveness over the industry demands high quality and most consistent products with a competitive price. One of the remarkable and influential moves for getting the solutions of this challenge is the Industrial Automation.



ODS offers wide range of M-Series Sensor connectors, RJ45 connectors, USB connectors, Circular and D-SUB connectors, also including integrated signal connector and power connector on control system. Choosing ODS connectors not only high up your yield rate and reduce production cost, but also cover high quality and stability throughout the industrial and automation market place.

Applications & Sub-Segments :

- Machine Tooling
- Drive and Motion
- Packaging
- Industrial Handling, Mounting & Robotics
- Human Machine Interface (HMI)
- Automotive



B.C.E. s.r.l.
Via Regina Pacis, 54/c - 41049 SASSUOLO (MO) Italy
Tel. +39 0536 811.616 r.a. - Fax +39 0536 811.500
www.bce.it - E-mail: bce@bce.it



M8 / M12 Connectors

More to know ...

Mounting Options for Receptacle



Front Fastened (Rear Mount)
screw nut is fastened from the front



Rear Fastened (Front Mount)
screw nut is fastened from the back

IP Rating Chart

IP ratings are represented by combining the first and second digits of the following columns. See example below.

Sealing Standards

The IP classification system (IP rating) provides a reliable method of comparing relative levels of sealing between various connector products. The protection level offered by a typical envelope is described in IEC 60529.

Ingress Protection rating usually consists of abbreviation IP followed by two digits. The first digit is used to rate Protection from ingress of solid foreign objects or solid protection and the second digit rates Protection from ingress of liquid or liquid protection. Solid protection is more known as dust resistance and liquid protection – water resistance.

1st Digit - SOLID Degree of protection against solid objects	2nd Digit - LIQUID Degree of protection against water
0 No Protection	0 No Protection
1	1
2	2
3	3
4	4
5	5
6	6
Example: IP65 Protected against water jets from any angle. Dust tight. No ingress of dust.	7
	8

M8 Receptacle (Metal)

Product Specifications

Contact Number	2~5P	Contact Resistance	≤ 10m Ω
Coding	A, B, K-Coding	Insulation Resistance	≥ 100M Ω at DC 500V
Contact Body	Nylon + GF	Withstanding Voltage	2~3Pin: AC 1000V/1 minute 4~5Pin: AC 650V/1 minute
Shell / Screw Nut	Copper Alloy, Nickel Plated	Operating Temperature	-40°C ~ +105°C
Terminal	Copper Alloy, Gold Plated	Salt Spray	48 hr.
Mating Style	Screw Thread	Protection Class	IPX7 (unmated)
Max Panel Thickness	2.5mm (Without Cap Chain)	Durability	1000 times
Current Rating	2~5Pin: 5A	Standard	IEC 61076-2-104
Voltage Rating	2~3Pin: 60V ; 4~5Pin: 30V		

How To Order

MXEX XX XCC - SHX700X

Coding
M – A & B Code
K – K-Code (w/ key)

Contact Type
F – Female
M – Male

Serial Number

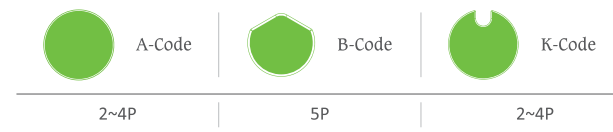
Style
P – Front Fastened
R – Rear Fastened

Number of Contacts
02, 03, 04, 05 (B-Code)

Assembly Style
S – Solder Type
P – PCB Type

Connector Gender
F – Female
M – Male

Contact Layout

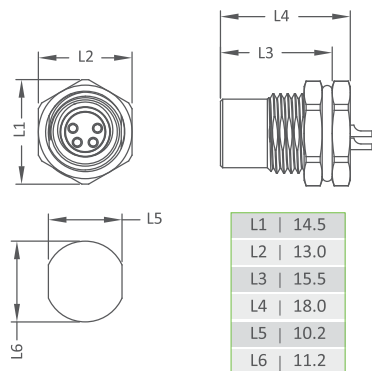


M8 Receptacle (Metal)

M8 Metal Female Receptacle

Front Fastened, IP67

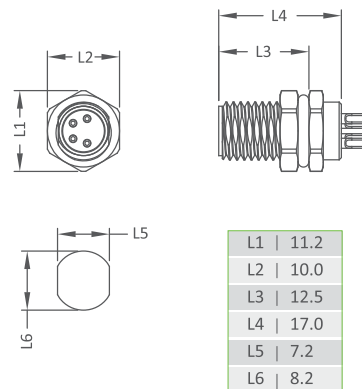
X = Assembly Style
S : Solder Type
P : PCB Type



M8 Metal Male Receptacle

Front Fastened, IP67

X = Assembly Style
S : Solder Type
P : PCB Type

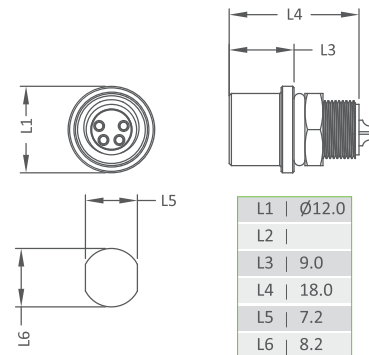


Part Number	Contacts	Coding	Part Number	Contacts	Coding
MMEPF02FCC-SHX7001	2	A	MMEPM02MCC-SHX7001	2	A
MKEPF02FCC-SHX7001		K	MKEPM02MCC-SHX7001		K
MMEPF03FCC-SHX7001	3	A	MMEPM03MCC-SHX7001	3	A
MKEPF03FCC-SHX7001		K	MKEPM03MCC-SHX7001		K
MMEPF04FCC-SHX7001	4	A	MMEPM04MCC-SHX7001	4	A
MKEPF04FCC-SHX7001		K	MKEPM04MCC-SHX7001		K
MMEPF05FCC-SHX7001	5	B	MMEPM05MCC-SHX7001	5	B

M8 Receptacle (Metal)

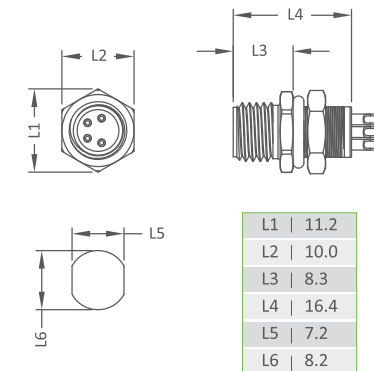
M8 Metal Female Receptacle

Rear Fastened, Solder Contacts, IP67



M8 Metal Male Receptacle

Rear Fastened, Solder Contacts, IP67



Part Number	Contacts	Coding	Part Number	Contacts	Coding
MMERF02FCC-SHS7001	2	A	MMERM02MCC-SHS7001	2	A
MKERF02FCC-SHS7001		K	MKERM02MCC-SHS7001		K
MMERF03FCC-SHS7001	3	A	MMERM03MCC-SHS7001	3	A
MKERF03FCC-SHS7001		K	MKERM03MCC-SHS7001		K
MMERF04FCC-SHS7001	4	A	MMERM04MCC-SHS7001	4	A
MKERF04FCC-SHS7001		K	MKERM04MCC-SHS7001		K
MMERF05FCC-SHS7001	5	B	MMERM05MCC-SHS7001	5	B

M8 Cable Assy (Metal Nut)

Product Specifications

Contact Number	2~5P	Contact Resistance	≤10m Ω
Coding	A, B, K-Coding	Insulation Resistance	≥100M Ω at DC 500V
Contact Body	TPU	Withstanding Voltage	2~3Pin: AC 1000V/1 minute
Screw Nut	Copper Alloy, Nickel Plated	Operating Temperature	4~5Pin: AC 650V/1 minute
Terminal	Copper Alloy, Gold Plated	Salt Spray	-20°C ~ +80°C
Mating Style	Screw Thread	Durability	48 hr.
Current Rating	2~5Pin: 5A	Standard	1000 times
Voltage Rating	2~3Pin: 60V ; 4~5Pin: 30V		IEC61076-2-104

How To Order

MXEA X XX XCC - SXC7XXX

Coding
M – A & B Code
K – K-Code (w/ key)

Connector Gender
F – Female
M – Male

Contact Type
F – Female
M – Male

Number of Contacts
02, 03, 04, 05 (B-Code)

Cable Type / Length (m)
A01~A99
B01~B99

Back Shell
L - Straight(180°)
R - Right Angle (90°)

Contact Layout



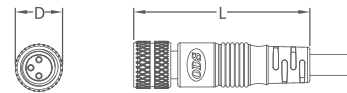
M8 Cable Assy (Metal Nut)

M8 Female Cable Assy (Metal Nut)

IP67

X = Backshell
L : Straight
R : R/A

XXX = Cable Type / Length (m)
A01~A99
B01~B99
.....

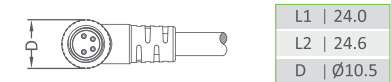
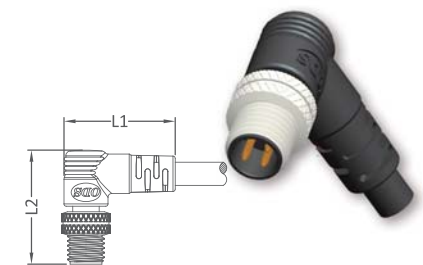
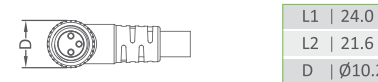
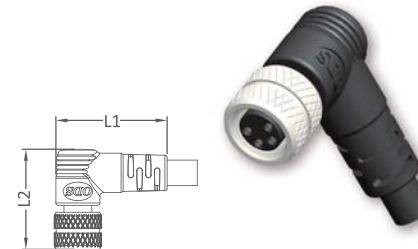
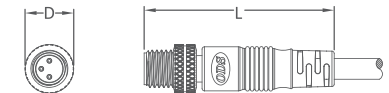


M8 Male Cable Assy (Metal Nut)

IP67

X = Backshell
L : Straight
R : R/A

XXX = Cable Type / Length (m)
A01~A99
B01~B99
.....



Part Number	Contacts	Coding	Part Number	Contacts	Coding
MMEAF02FCC-SXC7XXX	2	A	MMEAM02MCC-SXC7XXX	2	A
MKEAF02FCC-SXC7XXX		K	MKEAM02MCC-SXC7XXX		K
MMEAF03FCC-SXC7XXX	3	A	MMEAM03MCC-SXC7XXX	3	A
MKEAF03FCC-SXC7XXX		K	MKEAM03MCC-SXC7XXX		K
MMEAF04FCC-SXC7XXX	4	A	MMEAM04MCC-SXC7XXX	4	A
MKEAF04FCC-SXC7XXX		K	MKEAM04MCC-SXC7XXX		K
MMEAF05FCC-SXC7XXX	5	B	MMEAM05MCC-SXC7XXX	5	B

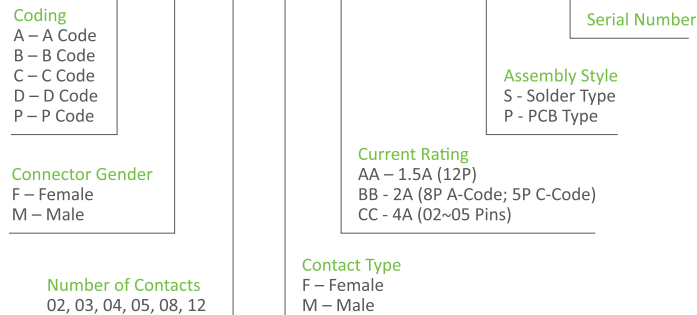
M12 Receptacle (Plastic)

Product Specifications

Contact Number	2~5P, 8P, 12P	Voltage Rating	2~4Pin: 250V 5Pin: 60V 8 & 12Pin: 30V
Coding	A, B, C, D, P-Coding	Contact Resistance	≤ 10m Ω
Contact Body / Nut	Nylon + GF	Insulation Resistance	≥ 100MΩ at DC 500V
Terminal	Copper Alloy, Gold Plated	Withstanding Voltage	2~5Pin : AC 1000V/1 minute 8 & 12Pin : AC 650V/1 minute
Mating Style	Screw Thread	Operating Temperature	-40°C ~ +105°C
Max Panel Thickness	4.5mm (Without Cap Chain)	Salt Spray	48 hr.
Current Rating	A-code (2~5P) : 4A / 8P : 2A 12P : 1.5A	Protection Class	IPX8 (unmated)
	B-code (5P) : 4A	Durability	1000 times
	C-Code (3~4P) : 4A / 5P : 2A	Standard	IEC 61076-2-101
	D-code (4P) : 4A		
	P-Code (5P) : 4A		

How To Order

MPXPX XX X XX - SHX800X



Contact Layout

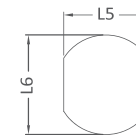
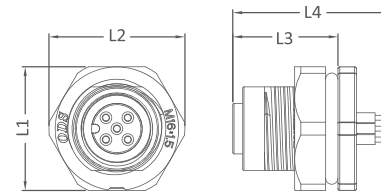


M12 Receptacle (Plastic)

M12 Plastic Female Receptacle

Front Fastened, IP68

X = Assembly Style
S : Solder Type
P : PCB Type

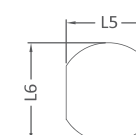
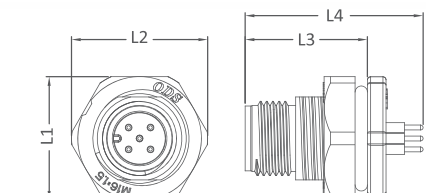


L1	20.0
L2	22.0
L3	15.0
L4	26.0
L5	13.6
L6	16.1

M12 Plastic Male Receptacle

Front Fastened, IP68

X = Assembly Style
S : Solder Type
P : PCB Type



L1	20.0
L2	22.0
L3	19.8
L4	28.8
L5	13.6
L6	16.1

Part Number	Contacts	Coding	Part Number	Contacts	Coding
MPAPF02FCC-SHX8001	2	A	MPAPM02MCC-SHX8001	2	A
MPAPF03FCC-SHX8001	3	A	MPAPM03MCC-SHX8001	3	A
MPCPF03FCC-SHX8001	3	C	MPCPM03MCC-SHX8001	3	C
MPAPF04FCC-SHX8001	4	A	MPAPM04MCC-SHX8001	4	A
MPCPF04FCC-SHX8001	4	C	MPCPM04MCC-SHX8001	4	C
MPDPF04FCC-SHX8001	4	D	MPDPM04MCC-SHX8001	4	D
MPAPF05FCC-SHX8001	5	A	MPAPM05MCC-SHX8001	5	A
MPBPF05FCC-SHX8001	5	B	MPBPM05MCC-SHX8001	5	B
MPCPF05FBB-SHX8001	5	C	MPCPM05MCC-SHX8001	5	C
MPPPF05FCC-SHX8001	5	P	MPPPM05MCC-SHX8001	5	P
MPAPF08FBB-SHX8001	8	A	MPAPM08MCC-SHX8001	8	A
MPAPF12FAA-SHX8001	12	A	MPAPM12MAA-SHX8001	12	A

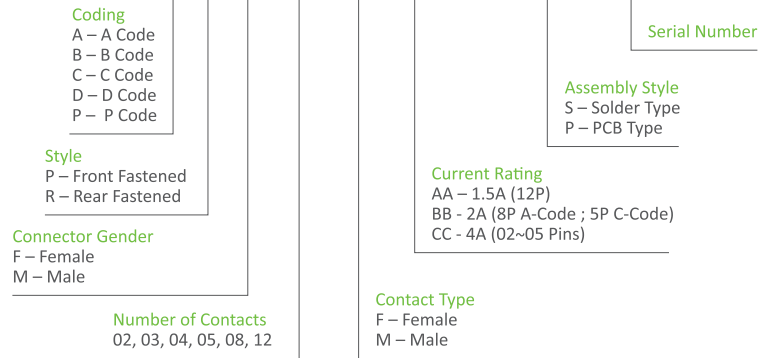
M12 Receptacle (Metal)

Product Specifications

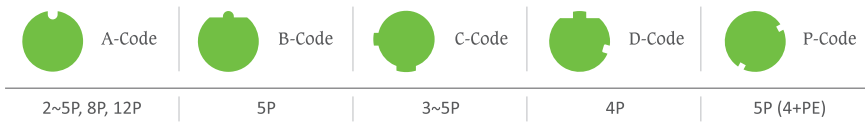
Contact Number	2~5P, 8P, 12P	Voltage Rating	2~4Pin: 250V 5Pin: 60V 8 & 12Pin: 30V
Coding	A, B, C, D, P-Coding	Contact Resistance	≤ 10m Ω
Contact Body	Nylon + GF	Insulation Resistance	≥ 100M Ω at DC 500V
Shell / Screw Nut	Copper Alloy, Nickel Plated	Withstanding Voltage	2~5Pin: AC 1000V/1 minute 8 & 12Pin: AC 650V/1 minute
Terminal	Copper Alloy, Gold Plated	Operating Temperature	-40°C ~ +105°C
Mating Style	Screw Thread	Salt Spray	48 hr.
Max Panel Thickness	4.5mm (Without Cap Chain)	Protection Class	IPX8 (unmated)
Current Rating	A-code (2~5P): 4A / 8P : 2A 12P : 1.5A	Durability	1000 times
	B-code (5P): 4A	Standard	IEC 61076-2-101
	C-Code (3~4P): 4A / 5P : 2A		
	D-code (4P): 4A		
	P-Code (5P): 4A		

How To Order

MMXX X XX X XX - SHX800X



Contact Layout

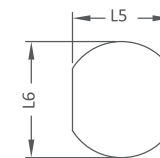
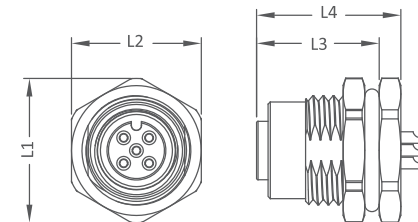


M12 Receptacle (Metal)

M12 Metal Female Receptacle

Front Fastened, IP68

X = Assembly Style
S : Solder Type
P : PCB Type

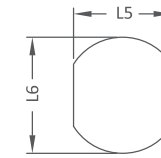
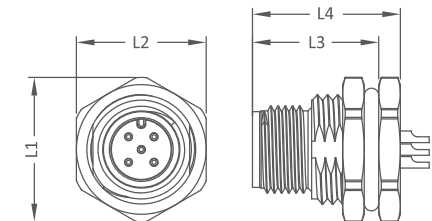


L1	22.0
L2	18.0
L3	17.0
L4	20.0
L5	13.6
L6	15.4

M12 Metal Male Receptacle

Front Fastened, IP68

X = Assembly Style
S : Solder Type
P : PCB Type



L1	22.0
L2	18.0
L3	17.5
L4	20.5
L5	13.6
L6	15.4

Part Number	Contacts	Coding	Part Number	Contacts	Coding
MMAPF02FCC-SHX8001	2	A	MMAPM02MCC-SHX8001	2	A
MMAPF03FCC-SHX8001	3	A	MMAPM03MCC-SHX8001	3	A
MMCPF03FCC-SHX8001		C	MMCPM03MCC-SHX8001		C
MMAPF04FCC-SHX8001	4	A	MMAPM04MCC-SHX8001	4	A
MMCPF04FCC-SHX8001		C	MMCPM04MCC-SHX8001		C
MMDPF04FCC-SHX8001		D	MMDPM04MCC-SHX8001		D
MMAPF05FCC-SHX8001	5	A	MMAPM05MCC-SHX8001	5	A
MMBPF05FCC-SHX8001		B	MMBPM05MCC-SHX8001		B
MMCPF05FBB-SHX8001		C	MMCPM05MCC-SHX8001		C
MMPPF05FCC-SHX8001		P	MMPPM05MCC-SHX8001		P
MMAPF08FBB-SHX8001		8	A		MMAPM08MCC-SHX8001
MMAPF12FAA-SHX8001	12	A	MMAPM12MAA-SHX8001	12	A

M12 Receptacle (Metal)

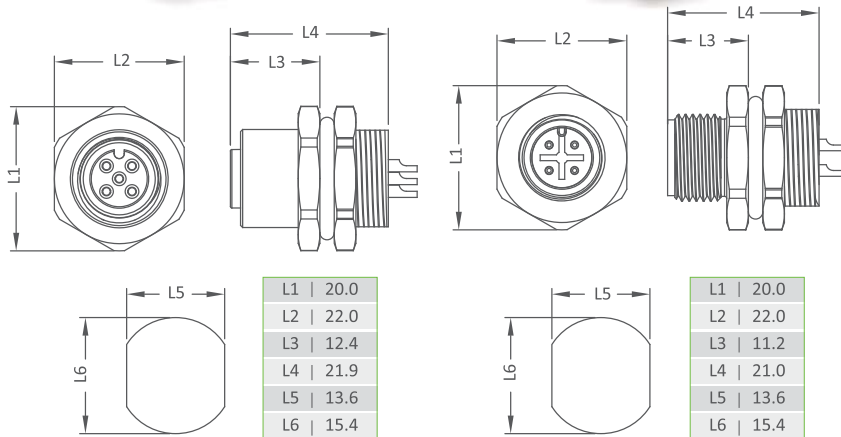
M12 Metal Female Receptacle

Rear Fastened, Solder Contacts, IP68



M12 Metal Male Receptacle

Rear Fastened, Solder Contacts, IP68



Part Number	Contacts	Coding	Part Number	Contacts	Coding
MMARF02FCC-SHS8001	2	A	MMARM02MCC-SHS8001	2	A
MMARF03FCC-SHS8001	3	A	MMARM03MCC-SHS8001	3	A
MMCRF03FCC-SHS8001		C	MMCRM03MCC-SHS8001		C
MMARF04FCC-SHS8001	4	A	MMARM04MCC-SHS8001	4	A
MMCRF04FCC-SHS8001		C	MMCRM04MCC-SHS8001		C
MMDRF04FCC-SHS8001		D	MMDRM04MCC-SHS8001		D
MMARF05FCC-SHS8001	5	A	MMBRM05MCC-SHS8001	5	A
MMBRF05FCC-SHS8001		B	MMCRM05MCC-SHS8001		B
MMCRF05FBB-SHS8001		C	MMPRM05MBB-SHS8001		C
MMPRF05FCC-SHS8001		P	MMPRM05MCC-SHS8001		P
MMARF08FBB-SHS8001	8	A	MMARM08MBB-SHS8001	8	A
MMARF12FAA-SHS8001	12	A	MMARM12MAA-SHS8001	12	A

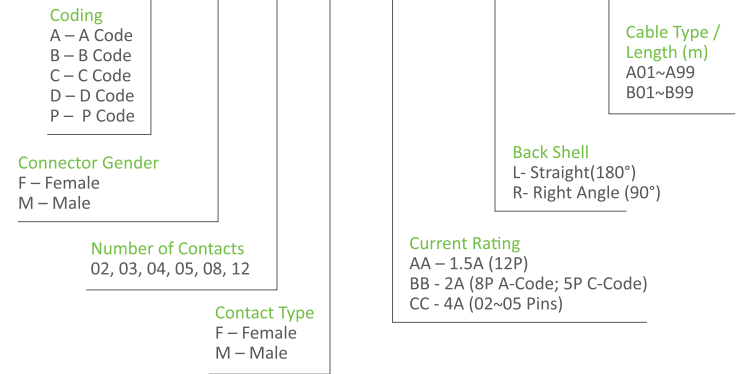
M12 Cable Assy (Plastic Nut)

Product Specifications

Contact Number	2~5P, 8P, 12P	Voltage Rating	2~4Pin: 250V 5Pin: 60V 8 & 12Pin: 30V
Coding	A, B, C, D, P-Coding	Contact Resistance	≤ 10m Ω
Contact Body	TPU	Insulation Resistance	≥ 100M Ω at DC 500V
Screw Nut	Nylon	Withstanding Voltage	2~5Pin: AC 1000V/1 minute 8Pin: AC 650V/1 minute
Terminal	Copper Alloy, Gold Plated	Operating Temperature	-20°C ~ +80°C
Mating Style	Screw Thread	Salt Spray	48 hr.
Current Rating	A-code (2~5P): 4A / 8P : 2A 12P : 1.5A	Durability	1000 times
	B-code (5P): 4A	Standard	IEC61076-2-101
	C-Code (3~4P): 4A / 5P : 2A		
	D-code (4P) : 4A		
	P-Code (5P) : 4A		

How To Order

MPXAX XX X XX - SXC7XXX



Contact Layout



M12 Cable Assy (Plastic Nut)

M12 Female Cable Assy (Plastic Nut)

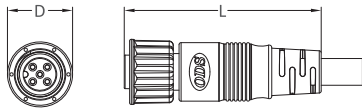
IP67

X = Backshell
L : Straight
R : R/A

XXX = Cable Type / Length (m)
A01~A99
B01~B99
.....



L | 47.8
D | Ø15.8



M12 Male Cable Assy (Plastic Nut)

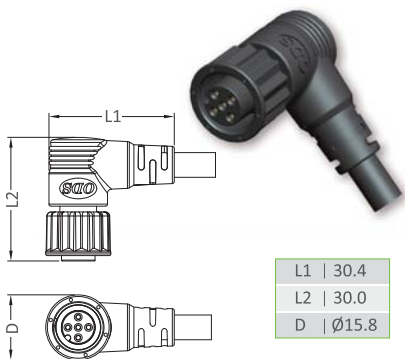
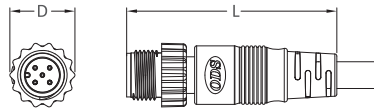
IP67

X = Backshell
L : Straight
R : R/A

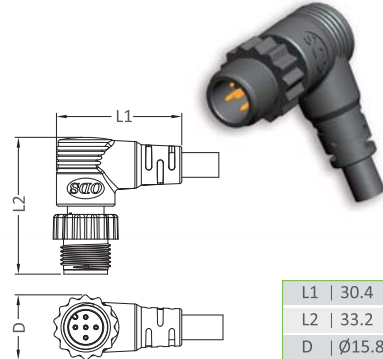
XXX = Cable Type / Length (m)
A01~A99
B01~B99
.....



L | 51.0
D | Ø15.8



L1 | 30.4
L2 | 30.0
D | Ø15.8



L1 | 30.4
L2 | 33.2
D | Ø15.8

Part Number	Contacts	Coding	Part Number	Contacts	Coding
MPAAF02FCC-SXC7XXX	2	A	MPAAM02MCC-SXC7XXX	2	A
MPAAF03FCC-SXC7XXX	3	A	MPCAM03MCC-SXC7XXX	3	A
MPCAF03FCC-SXC7XXX	3	C	MPCAM03MCC-SXC7XXX	3	C
MPAAF04FCC-SXC7XXX	4	A	MPCAM04MCC-SXC7XXX	4	A
MPCAF04FCC-SXC7XXX	4	C	MPCAM04MCC-SXC7XXX	4	C
MPDAF04FCC-SXC7XXX	4	D	MPDAM04MCC-SXC7XXX	4	D
MPAAF05FCC-SXC7XXX	5	A	MPCAM05MCC-SXC7XXX	5	A
MPBAF05FCC-SXC7XXX	5	B	MPBAM05MCC-SXC7XXX	5	B
MPCAF05FBB-SXC7XXX	5	C	MPCAM05MBB-SXC7XXX	5	C
MPPAF05FCC-SXC7XXX	5	P	MPPAM05MCC-SXC7XXX	5	P
MPAAF08FBB-SXC7XXX	8	A	MPCAM08MBB-SXC7XXX	8	A
MPAAF12FAA-SXC7XXX	12	A	MPCAM12MAA-SXC7XXX	12	A

M12 Cable Assy (Metal Nut)

Product Specifications

Contact Number	2~5P, 8P, 12P	Voltage Rating	2~4Pin: 250V 5Pin: 60V 8 & 12Pin: 30V
Coding	A, B, C, D, P-Coding	Contact Resistance	≤ 10m Ω
Contact Body	TPU	Insulation Resistance	≥ 100M Ω at DC 500V
Screw Nut	Zinc Die Cast, Nickel Plated	Withstanding Voltage	2~5Pin: AC 1000V/1 minute 8Pin: AC 650V/1 minute
Terminal	Copper Alloy, Gold Plated	Operating Temperature	-20°C ~ +80°C
Mating Style	Screw Thread	Salt Spray	48 hr.
Current Rating	A-code (2~5P): 4A / 8P : 2A 12P : 1.5A	Durability	1000 times
	B-code (5P): 4A	Standard	IEC61076-2-101
	C-Code (3~4P): 4A / 5P : 2A		
	D-code (4P): 4A P-Code (5P): 4A		

How To Order

MAXAX XX X XX - SXC7XXX

Coding

A - A Code
B - B Code
C - C Code
D - D Code
P - P Code

Connector Gender

F - Female
M - Male

Number of Contacts
02, 03, 04, 05, 08, 12

Contact Type
F - Female
M - Male

Cable Type / Length (m)
A01~A99
B01~B99

Back Shell
L - Straight (180°)
R - Right Angle (90°)

Current Rating

AA - 1.5A (12P)
BB - 2A (8P A-Code; 5P C-Code)
CC - 4A (02~05 Pins)

Contact Layout



M12 Cable Assy (Metal Nut)

M12 Female Cable Assy (Metal Nut)

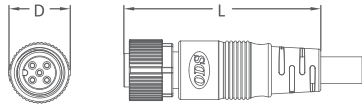
IP67

X = Backshell
L : Straight
R : R/A

XXX = Cable Type / Length (m)
A01~A99
B01~B99
.....



L | 47.8
D | Ø15.0



M12 Male Cable Assy (Metal Nut)

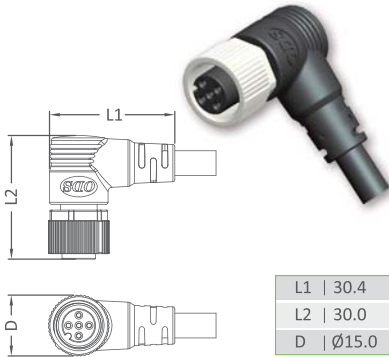
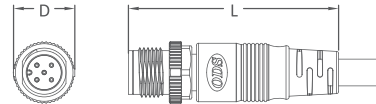
IP67

X = Backshell
L : Straight
R : R/A

XXX = Cable Type / Length (m)
A01~A99
B01~B99
.....



L | 51.0
D | Ø15.0



L1 | 30.4
L2 | 30.0
D | Ø15.0



L1 | 30.4
L2 | 33.2
D | Ø15.0

Part Number	Contacts	Coding	Part Number	Contacts	Coding
MAAAF02FCC-SXC7XXX	2	A	MAAAM02MCC-SXC7XXX	2	A
MAAAF03FCC-SXC7XXX	3	A	MAAAM03MCC-SXC7XXX	3	A
MACAF03FCC-SXC7XXX		C	MACAM03MCC-SXC7XXX		C
MAAAF04FCC-SXC7XXX		A	MAAAM04MCC-SXC7XXX		A
MACAF04FCC-SXC7XXX	4	C	MACAM04MCC-SXC7XXX	4	C
MADAF04FCC-SXC7XXX		D	MADAM04MCC-SXC7XXX		D
MAAAF05FCC-SXC7XXX		A	MAAAM05MCC-SXC7XXX		A
MABAF05FCC-SXC7XXX		B	MABAM05MCC-SXC7XXX		B
MACAF05FBB-SXC7XXX	5	C	MACAM05MBB-SXC7XXX	5	C
MAPAF05FCC-SXC7XXX		P	MAPAM05MCC-SXC7XXX		P
MAAAF08FBB-SXC7XXX	8	A	MAAAM08MBB-SXC7XXX	8	A
MAAAF12FAA-SXC7XXX	12	A	MAAAM12MAA-SXC7XXX	12	A

M12 Field Installable Solder (Plastic Nut)

Product Specifications

Contact Number	2~5P, 8P, 12P	Voltage Rating	2~4Pin: 250V 5Pin: 60V 8 & 12Pin: 30V
Coding	A, B, C, D, P-Coding	Contact Resistance	≤ 10m Ω
Contact Body	Nylon +GF	Insulation Resistance	≥ 100M Ω at DC 500V
Terminal	Copper Alloy, Gold Plated	Withstanding Voltage	2~5Pin: AC 1000V/1 minute 8Pin: AC 650V/1 minute
Screw Nut	Nylon	Wire Gauge	# 22 AWG ~ # 26 AWG
Mating Style	Screw Thread	Cable OD	Φ4.5~Φ6.5mm
Mode of Connection	Solder Terminals	Operating Temperature	-40°C ~ +105°C
Current Rating	A-code (2~5P): 4A / 8P : 2A 12P : 1.5A	Salt Spray	48 hr.
	B-code (5P): 4A	Protection Class	IPX8 (mated)
	C-Code (3~4P): 4A / 5P : 2A	Durability	1000 times
	D-code (4P): 4A	Standard	IEC 61076-2-101
	P-Code (5P): 4A		

How To Order

MPXDX XX X XX - SLS8001

Coding
A - A Code
B - B Code
C - C Code
D - D Code
P - P Code

Current Rating
AA - 1.5A (12P)
BB - 2A (8P A-Code; 5P C-Code)
CC - 4A (02~05 Pins)

Connector Gender
F - Female
M - Male

Contact Type
F - Female
M - Male

Number of Contacts
02, 03, 04, 05, 08, 12

Contact Layout



M12 Field Installable Solder (Plastic Nut)

M12 Female Field Installable Solder (Plastic Nut)

Straight, IP68 (mated)



L | 48,5(Ref.)
D | Ø17,4

M12 Male Field Installable Solder (Plastic Nut)

Straight, IP68 (mated)



L | 48,0(Ref.)
D | Ø17,4



Part Number	Contacts	Coding	Part Number	Contacts	Coding
MPADF02FCC-SLS8001	2	A	MPADM02MCC-SLS8001	2	A
MPADF03FCC-SLS8001	3	A	MPADM03MCC-SLS8001	3	A
MPCDF03FCC-SLS8001	3	C	MPCDM03MCC-SLS8001	3	C
MPADF04FCC-SLS8001	4	A	MPADM04MCC-SLS8001	4	A
MPCDF04FCC-SLS8001	4	C	MPCDM04MCC-SLS8001	4	C
MPDDF04FCC-SLS8001	4	D	MPDDM04MCC-SLS8001	4	D
MPADF05FCC-SLS8001	5	A	MPADM05MCC-SLS8001	5	A
MPBDF05FCC-SLS8001	5	B	MPBDM05MCC-SLS8001	5	B
MPCDF05FBB-SLS8001	5	C	MPCDM05MBB-SLS8001	5	C
MPPDF05FCC-SLS8001	5	P	MPPDM05MCC-SLS8001	5	P
MPADF08FBB-SLS8001	8	A	MPADM08MBB-SLS8001	8	A
MPADF12FAA-SLS8001	12	A	MPADM12MAA-SLS8001	12	A

M12 Field Installable Solder (Metal Nut)

Product Specifications

Contact Number	2~5P, 8P, 12P	Voltage Rating	2~4Pin: 250V 5Pin: 60V 8 & 12Pin: 30V
Coding	A, B, C, D, P-Coding	Contact Resistance	≤ 10m Ω
Contact Body	Nylon +GF	Insulation Resistance	≥ 100M Ω at DC 500V
Terminal	Copper Alloy, Gold Plated	Withstanding Voltage	2~5Pin: AC 1000V/1 minute 8Pin: AC 650V/1 minute
Screw Nut	Zinc, Nickel Plated	Wire Gauge	# 22 AWG ~ # 26 AWG
Mating Style	Screw Thread	Cable OD	Φ4.5~Φ6.5mm
Mode of Connection	Solder Terminals	Operating Temperature	-40°C ~ +105°C
Current Rating	A-code (2~5P):4A / 8P : 2A 12P : 1.5A	Salt Spray	48 hr.
	B-code (5P):4A	Protection Class	IPX7 (mated)
	C-Code (3~4P):4A / 5P : 2A	Durability	1000 times
	D-code (4P):4A P-Code (5P):4A	Standard	IEC 61076-2-101

How To Order

MAXDX XX X XX – SLS7001

Coding

A – A Code
B – B Code
C – C Code
D – D Code
P – P Code

Current Rating

AA – 1.5A (12P)
BB – 2A (8P A-Code; 5P C-Code)
CC – 4A (02~05 Pins)

Connector Gender

F – Female
M – Male

Contact Type

F – Female
M – Male

Number of Contacts

02, 03, 04, 05, 08, 12

Contact Layout



M12 Field Installable Solder (Metal Nut)

M12 Female Field Installable Solder (Metal Nut)

Straight, IP67 (mated)



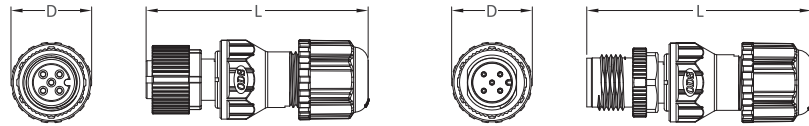
L | 48.5(Ref.)
D | Ø17.4

M12 Male Field Installable Solder (Metal Nut)

Straight, IP67 (mated)



L | 48.5(Ref.)
D | Ø17.4



Part Number	Contacts	Coding	Part Number	Contacts	Coding
MAADF02FCC-SLS7001	2	A	MAADM02MCC-SLS7001	2	A
MAADF03FCC-SLS7001	3	A	MAADM03MCC-SLS7001	3	A
MACDF03FCC-SLS7001		C	MACDM03MCC-SLS7001		C
MAADF04FCC-SLS7001	4	A	MAADM04MCC-SLS7001	4	A
MACDF04FCC-SLS7001		C	MACDM04MCC-SLS7001		C
MADDF04FCC-SLS7001		D	MADDM04MCC-SLS7001		D
MAADF05FCC-SLS7001	5	A	MAADM05MCC-SLS7001	5	A
MABDF05FCC-SLS7001		B	MABDM05MCC-SLS7001		B
MACDF05FBB-SLS7001		C	MACDM05MBB-SLS7001		C
MAPDF05FCC-SLS7001		P	MAPDM05MCC-SLS7001		P
MAADF08FBB-SLS7001		8	A		MAADM08MBB-SLS7001
MAADF12FAA-SLS7001	12	A	MAADM12MAA-SLS7001	12	A

M12 Field Installable Screw In (Metal Nut)

Product Specifications

Contact Number	4P, 5P	Insulation Resistance	≥ 100Ω at DC 500V
Coding	A, B, D-Coding	Wire Gauge	#28AWG (0.08mm ²) ~ #16AWG (1.3mm ²)
Contact Body	PA	Cable OD	Seal 1: O.D.= Φ4~6mm Seal 2: O.D.= Φ6~8mm
Screw Nut	Zinc, Nickel Plated	Operating Temperature	-40°C ~ +105°C
Terminal	Copper Alloy, Nickel Plated	Salt Spray	48 hr.
Mating Style	Screw Thread	Protection Class	IPX7 (mated)
Mode of Connection	Screw-In Terminals	Mating Cycle	100
Current Rating	5A (4Pin ~ 5Pin)	Standard	IEC 61076-2-101
Voltage Rating	250V (4Pin ~ 5Pin)		
Contact Resistance	≤ 10m Ω		

How To Order

MAXDX XX XCC – SXW700X

Coding

A – A Code
B – B Code
D – D Code

Contact Type

F – Female
M – Male

Seal Range

1 – Ø4~6mm
2 – Ø6~8mm

Connector Gender

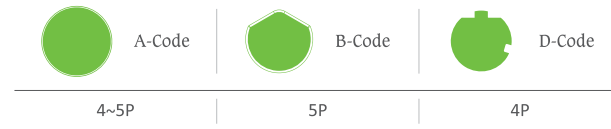
F – Female
M – Male

Number of Contacts
04, 05

Backshell

L – Straight
R – Right Angle

Contact Layout



M12 Field Installable Screw In (Metal Nut)

M12 Screw-In Female Field Installable

Straight, IP67 (mated)

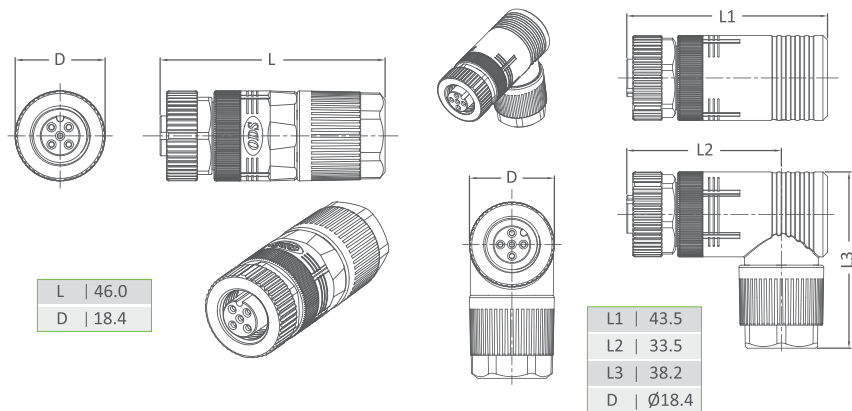
X = Seal Range
 1 : Ø4~6mm
 2 : Ø6~8mm



M12 Screw-In Female Field Installable

R/A, IP67 (mated)

X = Seal Range
 1 : Ø4~6mm
 2 : Ø6~8mm



Part Number	Contacts	Coding	Part Number	Contacts	Coding
MAADF04FCC-SLW700X	4	A	MAADF04FCC-SRW700X	4	A
MADDF04FCC-SLW700X	4	D	MADDF04FCC-SRW700X	4	D
MAADF05FCC-SLW700X	5	A	MAADF05FCC-SRW700X	5	A
MABDF05FCC-SLW700X	5	B	MABDF05FCC-SRW700X	5	B

M12 Field Installable Screw In (Metal Nut)

M12 Screw-In Male Field Installable

Straight, IP67 (mated)

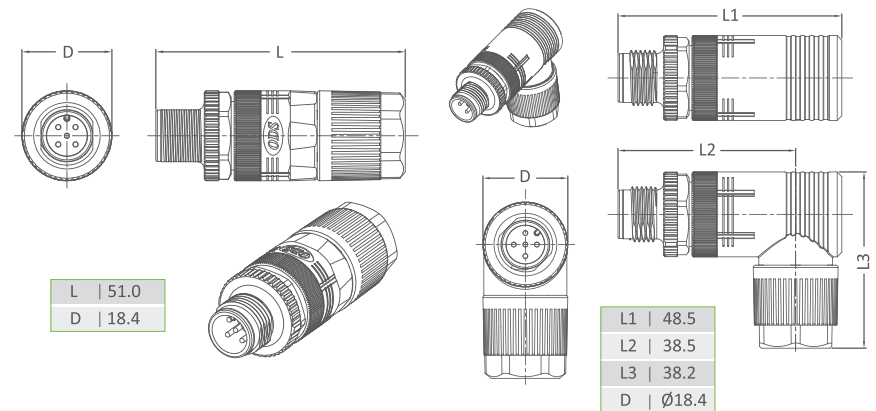
X = Seal Range
 1 : Ø4~6mm
 2 : Ø6~8mm



M12 Screw-In Male Field Installable

Straight, IP67 (mated)

X = Seal Range
 1 : Ø4~6mm
 2 : Ø6~8mm



Part Number	Contacts	Coding	Part Number	Contacts	Coding
MAADM04MCC-SLW700X	4	A	MAADM04MCC-SRW700X	4	A
MADDM04MCC-SLW700X	4	D	MADDM04MCC-SRW700X	4	D
MAADM05MCC-SLW700X	5	A	MAADM05MCC-SRW700X	5	A
MABDM05MCC-SLW700X	5	B	MABDM05MCC-SRW700X	5	B

M12 High Speed X-Code (Shielded)

Product Specifications

Connector Type / Spec	Receptacle	Field Installable
Contact Number	8P	
Contact Body	PA	
Terminal	Copper Alloy, Gold Plated	
Screw Nut	Brass, Nickel Plated	Zinc, Nickel Plated
Mating Style	Screw Thread	
Max Panel Thickness	4.5mm (Without Cap Chain)	-
Mode of Connection	Thru-Hole (THT)	Insulation Displacement Connection Technology
Current Rating	0.5A	
Voltage Rating	48V	
Contact Resistance	≤ 10m Ω	
Insulation Resistance	≥ 100M Ω at DC 500V	
Wire Gauge	-	#22 AWG ~ #26 AWG
Cable OD	-	Φ5.5~Φ8.0mm
Operating Temperature	-40°C ~ +105°C	
Salt Spray	48 hr.	
Protection Class	IPX8 (mated)	
Mating Cycle	100	
Transmission Category	EtherNet CAT6A to TIA-568 & ISO/IEC 11801	
Standard	IEC61076-2-109	

How To Order

XXKXX08MKK – SXX8001

Series

MA – Plastic Housing
Metal Nut
MM – Metal Housing
Metal Nut

Contact Type

F – Female
M – Male

Assembly Style

D – IDC for Assy Type
P – Straight PCB Contacts for Panel

Connector Style

D – Assy Type without S/R
P – Panel Front Fastened

Connector Gender

F – Female
M – Male

Backshell

L – Straight for Assy Type
H – Front Hexagonal for Panel

Contact Layout



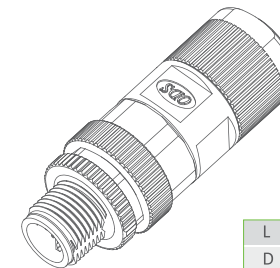
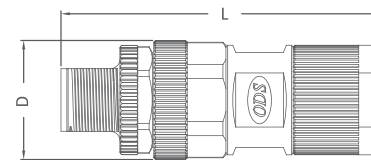
X-Code

8P

M12 High Speed X-Code (Shielded)

High-Speed M12 X-Code Male Field Installable

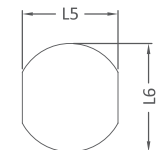
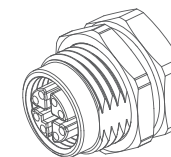
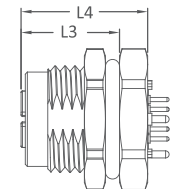
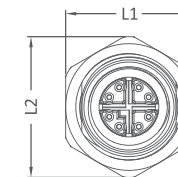
IDC, IPX8 (mated)



L	55.0
D	20.0

High-Speed M12 X-Code Female Receptacle

THT, IPX8 (mated)



L1	18.0
L2	20.0
L3	14.0
L4	18.0
L5	13.6
L6	15.4

Part Number	Contacts	Coding	Part Number	Contacts	Coding
MAKDM08MKK-SLD8001	8	X	MMKPF08FKK-SHP8001	8	X

M8/M12 Accessories

ODS offers a variety of M8 & M12 sensor accessories for the comfortable connection of actuators and sensors to active or passive distributing boxes.

Here you can find accessories like :

- T-Cables
- 2 & 4-Way Adaptors
- Waterproof Caps
- T Adaptor
- Elbow Adaptor
- Bulkhead





Other Industrial Connectors

Circular Connectors



Circular Connectors

- 4 different sizes available (Mini, Standard, Middle & Large) to cater various pin counts from 2 to 23 contacts
- Options from 2A to 20A current pin rating
- Receptacles, Field Installation & Cable Molding available
- Different mating styles: Screw Thread, 2-Point Lock, 3-Point Lock
- Hybrid Connectors available – Power+Data in one
- 94V-0, (f1) for Receptacle & Field Installation
- IP67/IP68 Ingress Protection; UV Resistant
- Up to 1,000 mating cycles
- Configurable & customizable

Network I/O Connectors



Network I/O Connectors

- Both Metal & Plastic connectors available
- Receptacles, Field Installation & Cable Molding available
- Different mating styles: Screw Thread & 3-Point Lock
- EIA/TIA CAT5e
- 94V-0, (f1) for Receptacle & Field Installation
- IP67/IP68 Ingress Protection
- Up to 1,000 mating cycles
- Configurable & customizable

USB Connectors



USB Connectors

- Both Metal & Plastic connectors available
- Receptacles & Cable Molding available
- USB-A & USB-B Type available, USB 3.0
- PnP – Plug and Play
- 94V-0, (f1) for Receptacle & Field Installation
- IP67 Ingress Protection
- Up to 1,000 mating cycles
- Configurable & customizable

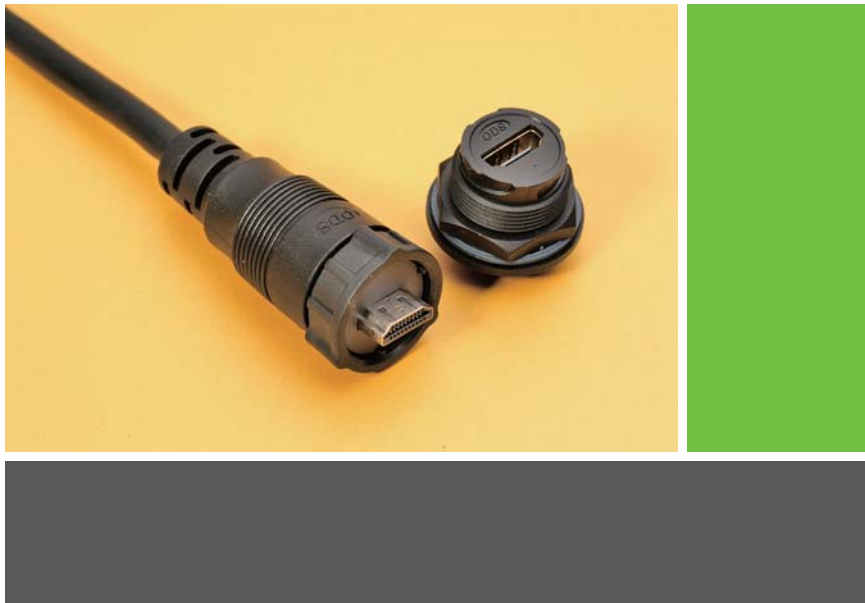
RS232 Connectors



RS232 Connectors

- 9Pin, 15Pin, HD15Pin/26Pin available
- Receptacles & Cable Molding available
- Various connection types : Solder, PCB Straight & R/A
- IP67 Ingress Protection
- Up to 1,000 mating cycles
- Configurable & customizable

HDMI Connectors



HDMI Connectors

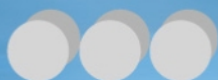
- Receptacles & Cable Molding available
- 3-Point Lock Mating Style
- IP67 Ingress Protection
- Up to 1,000 mating cycles

Cable Joiner



Cable Joiner

- 4 Pin (20A) available
- Higher pin count available upon request
- Conform to IEC 60998-2-1
- Connection thru Screw-In Terminals
- Smallest connector length in the market over competition
- Simple to use, bi-directional
- IP68 Ingress Protection



B.C.E. S.r.l. - Via Regina Pacis, 54/c - I 41049 Sassuolo (MO), Italy

Tel: (+39) 0536 811616 Fax: (+39) 0536 811500 E-mail: bce@bce.it Web: www.bce.it

