

Capacitive Sensors

Contents

Selection Guide

- Inductions of types 002
- Selection guide 003

Standard capacitive sensors

- DC series 008
- AC series 024

Special capacitive sensors

- High temperature series 029
- Ring series 035

Accessories

- Connection accessories 036

Features

- Wiring diagrams 039
- Instructions 040

Index

- Index 041

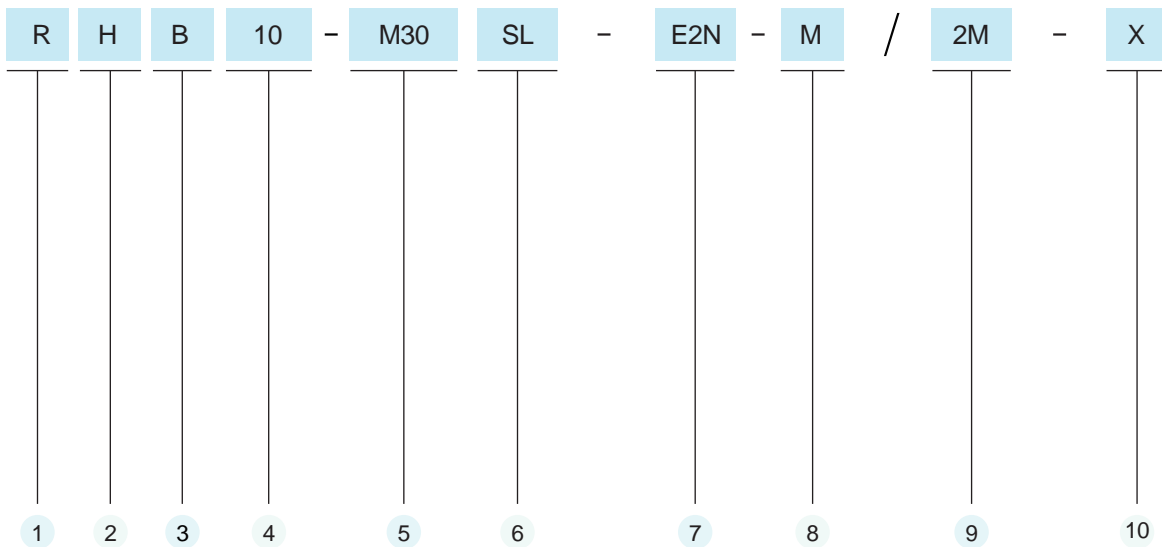
B.C.E. s.r.l.

Via Regina Pacis, 54/c - 41049 SASSUOLO (MO) Italy

Tel. +39 0536 811.616 r.a. - Fax +39 0536 811.500

www.bce.it - E-mail: bce@bce.it

Inductions of types



1 R - Capacitive sensro

2 Blank - Standard series
H - Ring series

3 B - Flush
N - Non-flush

4 Sensing range
0.6 mm ... 100 mm

5 Cylinder:
M8,M12,M18,M30
Small square - Q07
Square - P40,P80
Rectangle - K20,K40
Round - H6.5

6 Blank - Brass
SL - SS
K - Plastic
T - PBT
P - PTFE

7 Electrical output
D0 - 4wires,DC,NPN,NO&NC
D2 - 4wires,DC,PNP,NO&NC
E0 - 3wires,DC,NPN,NO
E1 - 3wires,DC,NPN,NC
E2 - 3wires,DC,PNP,NO
E3 - 3wires,DC,PNP,NC
E4 - 3wires,DC,NPN,NO or NC
E5 - 3wires,DC,PNP,NO or NC
E8 - 4wires,DC,PNP,double NO
N1 - Namur,NO
A0 - 2wires,AC,NO or NC
A2 - 2wires,AC,NC
A4 - 2wires,AC,NO
A6 - 4wires,AC,NO&NC
I0 - AO,0...20mA
I1 - AO,4...20mA
U0 - AO,voltage output
IU - AO,circuit/voltage

Blank - built-in LED
N - no LED

8 Special function inductions
M - Weld-field immune
SN - Safety function
120,150 - High temperature
60 - low temperature -60°C
40 - low temperature -40°C

9 Electrical connect - Blank-M12x1
S3 - pins M8x1 connector
M - 7/8" connector
SK - terminal
*M - Cable connction, Jacket-PVC,
cable length (unit: m)
*MR - Cable connction,
Jacket-PUR,
cable length (unit: m)
*MS - Cable connction, Jacket-Silica
cable length (unit: m)
*MT - Cable connction, Jacket-teflon,
cable length (unit: m)
*MF - Cable connction, Jacket-teflon,
cable length (unit: m)
E*M - *m cable with M12 connector
S*M - *m cable with M8 connector

10 Addition
D - Short shell
E - External amplifier
H -Hex nut
L - Extended shell

B.C.E. s.r.l.

Via Regina Pacis, 54/c - 41049 SASSUOLO (MO) Italy

Tel. +39 0536 811.616 r.a. - Fax +39 0536 811.500

www.bce.it - E-mail: bce@bce.it

Product	M8		M12			
Dimensions	8mm		12mm			
Design						

Features	Standard		Standard				High & Low Temperature
Flush	■		■	■			■
Accurate flush							
Non-flush		■			■	■	
Rated operating distance Sn	2mm	4mm	4mm	6mm	8mm	10mm	4mm

Output

DC2 wires-output							
AC2 wires-output							
DC3/4 wires-output	■	■	■	■	■	■	■
NAMUR							
0-10V output							
4-20mA output							

Connection




2M Cable	■	■	■	■	■	■	■
M8 Connection	■	■					
M12 Connection	■	■	■	■	■	■	

Housing material

Stainless steel	■	■					
316 steel							
PBT			■	■	■	■	
Brass			■	■	■	■	■
teflon							

Page	P08	P08/P09	P10	P11	P12	P13	P29/P32
------	-----	---------	-----	-----	-----	-----	---------

Selection Guide



Product	M12	M18					
Dimensions	12mm	18mm					
Design							

Features	High & Low Temperature	Standard					
Flush		■	■	■			
Accurate flush							
Non-flush	■				■	■	■
Rated operating distance Sn	8mm	8mm	8mm	12mm	15mm	15mm	20mm
Output							
DC2 wires-output							
AC2 wires-output			■			■	
DC3/4 wires-output	■	■		■	■		■
NAMUR							
0~10V output							
4~20mA output							
Connection							
2M Cable	■	■	■	■	■	■	■
M8 Connection							
M12 Connection		■	■	■	■	■	■
Housing material							
Stainless steel							
316 steel							
PBT		■	■	■	■	■	■
Brass	■	■	■	■	■	■	■
teflon							
Page	P29/P32	P14	P24	P15	P16	P25	P17




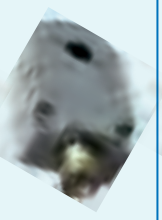


Product	M18		M30			
Dimensions	18mm		30mm			
Design						

Features	High & Low Temperature		Standard				
Flush	■		■	■	■		
Accurate flush							
Non-flush		■				■	■
Rated operating distance Sn	8mm	15mm	20mm	20mm	25mm	30mm	30mm
Output							
DC2 wires-output							
AC2 wires-output			■			■	
DC3/4 wires-output	■	■		■	■		■
NAMUR							
0~10V output							
4~20mA output							
Connection							
2M Cable	■	■	■	■	■	■	■
M8 Connection							
M12 Connection			■	■	■	■	■
Housing material							
Stainless steel							
316 steel							
PBT			■	■	■	■	■
Brass	■	■	■	■	■	■	■
teflon							
Page	P30/P33	P30/P33	P26	P18	P19	P27	P20

Selection Guide

Product	M30			K40			
Dimensions	30mm			40mm			
Design							

Feature	standard	High & Low Temperature		Standard			
Mount-Flushing condition		■		■	■		
Semi-flush							
Non-flush	■		■			■	■
Rated operating distance Sn	35mm	20mm	30mm	20mm	20mm	30mm	30mm
Output							
DC2 wires-output							
AC2 wires-output					■		■
DC3/4 wires-output	■	■	■	■		■	
NAMUR							
0~10V output							
4~20mA output							
Connection							
2M Cable	■	■	■				
terminal chamber				■	■	■	■
M12 Connection	■						
Housing material							
Stainless steel							
316 steel							
PBT	■			■	■	■	■
Brass	■	■	■				
teflon							
Page	P21	P31/P34	P31/P34	P23	P28	P23	P28

Product	Q07		Q20			
Dimensions	18mm		30mm			
Design						

Feature	standard		standard			
Flush	■					
Accurate flush						
Non-flush		■	■	■	■	■
Rated operating distance Sn	6mm	10mm	6mm (内径)	10mm (内径)	15mm (内径)	21mm (内径)

Output

DC2 wires-output						
AC2 wires-output						
DC3/4 wires-output	■	■	■	■	■	■
NAMUR						
0-10V output						
4-20mA output						

Connection

2M Cable	■					
M8 Connection		■				
M12 Connection			■	■	■	■

Housing material

Stainless steel						
316 steel						
PBT	■	■	■	■	■	■
Brass						
teflon						

Page	P22	P22	P35	P35	P35	P35
------	-----	-----	-----	-----	-----	-----

Housing style	M8	M8
Sensing distance	2mm	4mm
Mounting condition	Flush	Non-flush

Dimensions				
------------	--	--	--	--

Performance Parameter				
Operating Voltage	10...30VDC	10...30VDC	10...30VDC	10...30VDC
Operating Current	≤200mA	≤200mA	≤200mA	≤200mA
Connection	2M,PVC Cable	M8,Connection	M12,Connection	2M,PVC Cable
Voltage Drop.	≤2.5V	≤2.5V	≤2.5V	≤2.5V
Residual Current	—	—	—	—
Short-circuit protection	built-in	built-in	built-in	built-in
Switching Freq.	100Hz	100Hz	100Hz	100Hz
Hysteresis %Sr	3...15%	3...15%	3...15%	3...15%
Repetition Accuracy	≤5%Sr	≤5%Sr	≤5%Sr	≤5%Sr
Housing material	Stainless steel	Stainless steel	Stainless steel	Stainless steel
Protection degree	IP67	IP67	IP67	IP67
Operating Temp.	-25~70°C	-25~70°C	-25~70°C	-25~70°C
Output LED	built-in yellow	built-in yellow	built-in yellow	built-in yellow

Output function Type & Item No.				
PNP,NO	RB2-M8SL-E2/2M	RB2-M8SL-E2/S3	RB2-M8SL-E2	RN4-M8SL-E2/2M
	A708.0054 S015	A708.0055 S019	A708.0056 S023	A708.0042 S015
PNP,NC	RB2-M8SL-E3/2M	RB2-M8SL-E3/S3	RB2-M8SL-E3	RN4-M8SL-E3/2M
	A708.0051 S016	A708.0052 S020	A708.0053 S024	A708.0039 S016
PNP,NO+NC				
NPN,NO	RB2-M8SL-E0/2M	RB2-M8SL-E0/S3	RB2-M8SL-E0	RN4-M8SL-E0/2M
	A708.0048 S013	A708.0049 S017	A708.0050 S021	A708.0036 S013
NPN,NC	RB2-M8SL-E1/2M	RB2-M8SL-E1/S3	RB2-M8SL-E1	RN4-M8SL-E1/2M
	A708.0045 S014	A708.0046 S018	A708.0047 S022	A708.0033 S014
NPN,NO+NC				

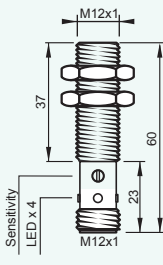
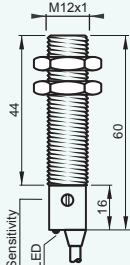
Housing style	M8		
Sensing distance	4mm		
Mounting condition	Non-flush		

Dimensions			

Performance Parameter			
Operating Voltage	10...30VDC	10...30VDC	
Operating Current	≤200mA	≤200mA	
Connection	M8,Connection	M12,Connection	
Voltage Drop.	≤2.5V	≤2.5V	
Residual Current	—	—	
Short-circuit protection	built-in	built-in	
Switching Freq.	100Hz	100Hz	
Hysteresis %Sr	3...15%	3...15%	
Repetition Accuracy	≤5%Sr	≤5%Sr	
Housing material	Stainless steel	Stainless steel	
Protection degree	IP67	IP67	
Operating Temp.	-25~70°C	-25~70°C	
Output LED	built-in yellow	built-in yellow	

Output function Type & Item No.			
PNP,NO	RN4-M8SL-E2/S3	RN4-M8SL-E2	
	A708.0043 S019	A708.0044 S023	
PNP,NC	RN4-M8SL-E3/S3	RN4-M8SL-E3	
	A708.0040 S020	A708.0041 S024	
PNP,NO+NC			
NPN,NO	RN4-M8SL-E0/S3	RN4-M8SL-E0	
	A708.0037 S017	A708.0038 S021	
NPN,NC	RN4-M8SL-E1/S3	RN4-M8SL-E1	
	A708.0034 S018	A708.0035 S022	
NPN,NO+NC			

Housing style	M12
Sensing distance	4mm
Mounting condition	Flush

Dimensions		
------------	---	---

Performance Parameter				
Operating Voltage	10...30VDC	10...30VDC	10...30VDC	10...30VDC
Operating Current	≤200mA	≤200mA	≤200mA	≤200mA
Connection	M12, Connection	M12, Connection	2M, PVC Cable	2M, PVC Cable
Voltage Drop.	≤2.5V	≤2.5V	≤2.5V	≤2.5V
Residual Current	—	—	—	—
Short-circuit protection	built-in	built-in	built-in	built-in
Switching Freq.	100Hz	100Hz	100Hz	100Hz
Hysteresis %Sr	3...15%	3...15%	3...15%	3...15%
Repetition Accuracy	≤5%Sr	≤5%Sr	≤5%Sr	≤5%Sr
Housing material	Brass	PBT	Brass	PBT
Protection degree	IP67	IP67	IP67	IP67
Operating Temp.	-25~70°C	-25~70°C	-25~70°C	-25~70°C
Output LED	built-in yellow	built-in yellow	built-in yellow	built-in yellow

Output function Type & Item No.				
PNP,NO	RB4-M12-E2	RB4-M12T-E2	RB4-M12-E2/2M	RB4-M12T-E2/2M
	A712.0104 S023	A712.0112 S023	A712.0103 S015	A712.0111 S015
PNP,NC	RB4-M12-E3	RB4-M12T-E3	RB4-M12-E3/2M	RB4-M12T-E3/2M
	A712.0102 S024	A712.0110 S024	A712.0101 S016	A712.0109 S016
PNP,NO+NC				
NPN,NO	RB4-M12-E0	RB4-M12T-E0	RB4-M12-E0/2M	RB4-M12T-E0/2M
	A712.0100 S021	A712.0108 S021	A712.0099 S013	A712.0107 S013
NPN,NC	RB4-M12-E1	RB4-M12T-E1	RB4-M12-E1/2M	RB4-M12T-E1/2M
	A712.0098 S022	A712.0106 S022	A712.0097 S014	A712.0105 S014
NPN,NO+NC				

B.C.E. s.r.l.

Via Regina Pacis, 54/c - 41049 SASSUOLO (MO) Italy

Tel. +39 0536 811.616 r.a. - Fax +39 0536 811.500

www.bce.it - E-mail: bce@bce.it

Housing style	M12
Sensing distance	6mm
Mounting condition	Flush

Dimensions		
------------	--	--

Performance Parameter

Operating Voltage	10...30VDC	10...30VDC	10...30VDC	10...30VDC
Operating Current	≤200mA	≤200mA	≤200mA	≤200mA
Connection	M12,Connection	M12,Connection	2M,PVC Cable	2M,PVC Cable
Voltage Drop.	≤2.5V	≤2.5V	≤2.5V	≤2.5V
Residual Current	—	—	—	—
Short-circuit protection	built-in	built-in	built-in	built-in
Switching Freq.	100Hz	100Hz	100Hz	100Hz
Hysteresis %Sr	3...15%	3...15%	3...15%	3...15%
Repetition Accuracy	≤5%Sr	≤5%Sr	≤5%Sr	≤5%Sr
Housing material	Brass	PBT	Brass	PBT
Protection degree	IP67	IP67	IP67	IP67
Operating Temp.	-25~70°C	-25~70°C	-25~70°C	-25~70°C
Output LED	built-in yellow	built-in yellow	built-in yellow	built-in yellow

Output function | Type & Item No.

PNP,NO	RB6-M12-E2	RB6-M12T-E2	RB6-M12-E2/2M	RB6-M12T-E2/2M
	A712.0120 S023	A712.0128 S023	A712.0119 S015	A712.0127 S015
PNP,NC	RB6-M12-E3	RB6-M12T-E3	RB6-M12-E3/2M	RB6-M12T-E3/2M
	A712.0118 S024	A712.0126 S024	A712.0117 S016	A712.0125 S016
PNP,NO+NC				
NPN,NO	RB6-M12-E0	RB6-M12T-E0	RB6-M12-E0/2M	RB6-M12T-E0/2M
	A712.0116 S021	A712.0124 S021	A712.0115 S013	A712.0123 S013
NPN,NC	RB6-M12-E1	RB6-M12T-E1	RB6-M12-E1/2M	RB6-M12T-E1/2M
	A712.0114 S022	A712.0122 S022	A712.0113 S014	A712.0121 S014
NPN,NO+NC				

B.C.E. s.r.l.

Via Regina Pacis, 54/c - 41049 SASSUOLO (MO) Italy

Tel. +39 0536 811.616 r.a. - Fax +39 0536 811.500

www.bce.it - E-mail: bce@bce.it

Housing style	M12
Sensing distance	8mm
Mounting condition	Non-flush

Dimensions		
------------	--	--

Performance Parameter

Operating Voltage	10...30VDC	10...30VDC	10...30VDC	10...30VDC
Operating Current	≤200mA	≤200mA	≤200mA	≤200mA
Connection	M12,Connection	M12,Connection	2M,PVC Cable	2M,PVC Cable
Voltage Drop.	≤2.5V	≤2.5V	≤2.5V	≤2.5V
Residual Current	—	—	—	—
Short-circuit protection	built-in	built-in	built-in	built-in
Switching Freq.	100Hz	100Hz	100Hz	100Hz
Hysteresis %Sr	3...15%	3...15%	3...15%	3...15%
Repetition Accuracy	≤5%Sr	≤5%Sr	≤5%Sr	≤5%Sr
Housing material	Brass	PBT	Brass	PBT
Protection degree	IP67	IP67	IP67	IP67
Operating Temp.	-25~70°C	-25~70°C	-25~70°C	-25~70°C
Output LED	built-in yellow	built-in yellow	built-in yellow	built-in yellow

Output function | Type & Item No.

PNP,NO	RN8-M12-E2		RN8-M12T-E2		RN8-M12-E2/2M		RN8-M12T-E2/2M	
	A712.0088	S023	A712.0096	S023	A712.0087	S015	A712.0095	S015
PNP,NC	RN8-M12-E3		RN8-M12T-E3		RN8-M12-E3/2M		RN8-M12T-E3/2M	
	A712.0086	S024	A712.0094	S024	A712.0085	S016	A712.0093	S016
PNP,NO+NC								
NPN,NO	RN8-M12-E0		RN8-M12T-E0		RN8-M12-E0/2M		RN8-M12T-E0/2M	
	A712.0084	S021	A712.0092	S021	A712.0083	S013	A712.0091	S013
NPN,NC	RN8-M12-E1		RN8-M12T-E1		RN8-M12-E1/2M		RN8-M12T-E1/2M	
	A712.0082	S022	A712.0090	S022	A712.0081	S014	A712.0089	S014
NPN,NO+NC								

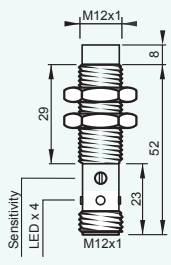
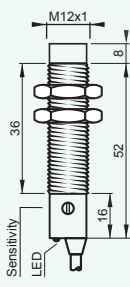
B.C.E. s.r.l.

Via Regina Pacis, 54/c - 41049 SASSUOLO (MO) Italy

Tel. +39 0536 811.616 r.a. - Fax +39 0536 811.500

www.bce.it - E-mail: bce@bce.it

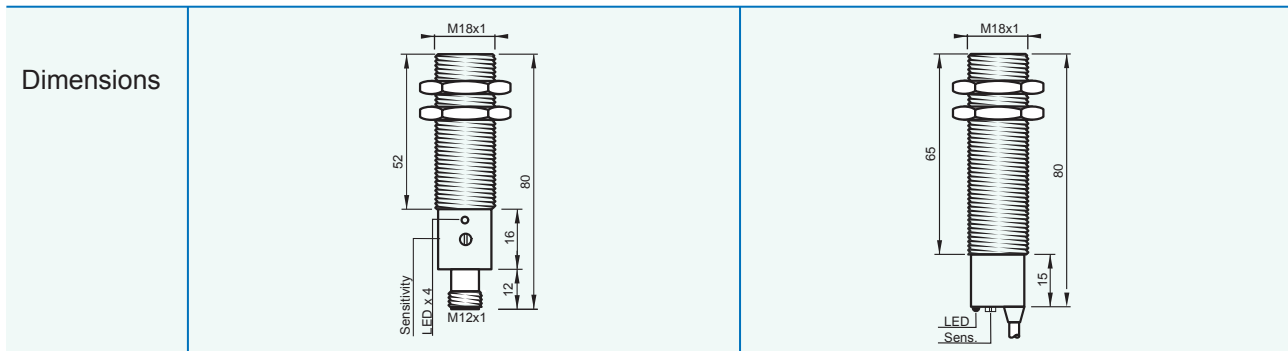
Housing style	M12
Sensing distance	10mm
Mounting condition	Non-flush

Dimensions		

Performance Parameter				
Operating Voltage	10...30VDC	10...30VDC	10...30VDC	10...30VDC
Operating Current	≤200mA	≤200mA	≤200mA	≤200mA
Connection	M12,Connection	M12,Connection	2M,PVC Cable	2M,PVC Cable
Voltage Drop.	≤2.5V	≤2.5V	≤2.5V	≤2.5V
Residual Current	—	—	—	—
Short-circuit protection	built-in	built-in	built-in	built-in
Switching Freq.	100Hz	100Hz	100Hz	100Hz
Hysteresis %Sr	3...15%	3...15%	3...15%	3...15%
Repetition Accuracy	≤5%Sr	≤5%Sr	≤5%Sr	≤5%Sr
Housing material	Brass	PBT	Brass	PBT
Protection degree	IP67	IP67	IP67	IP67
Operating Temp.	-25~70°C	-25~70°C	-25~70°C	-25~70°C
Output LED	built-in yellow	built-in yellow	built-in yellow	built-in yellow

Output function Type & Item No.				
PNP,NO	RN10-M12-E2	RN10-M12T-E2	RN10-M12-E2/2M	RN10-M12T-E2/2M
	A712.0072 S023	A712.0080 S023	A712.0071 S015	A712.0079 S015
PNP,NC	RN10-M12-E3	RN10-M12T-E3	RN10-M12-E3/2M	RN10-M12T-E3/2M
	A712.0070 S024	A712.0078 S024	A712.0069 S016	A712.0077 S016
PNP,NO+NC				
NPN,NO	RN10-M12-E0	RN10-M12T-E0	RN10-M12-E0/2M	RN10-M12T-E0/2M
	A712.0068 S021	A712.0076 S021	A712.0067 S013	A712.0075 S013
NPN,NC	RN10-M12-E1	RN10-M12T-E1	RN10-M12-E1/2M	RN10-M12T-E1/2M
	A712.0066 S022	A712.0074 S022	A712.0065 S014	A712.0073 S014
NPN,NO+NC				

Housing style	M18
Sensing distance	8mm
Mounting condition	flush



Performance Parameter				
Operating Voltage	10...30VDC	10...30VDC	10...30VDC	10...30VDC
Operating Current	≤200mA	≤200mA	≤200mA	≤200mA
Connection	M12,Connection	M12,Connection	2M,PVC Cable	2M,PVC Cable
Voltage Drop.	≤2.5V	≤2.5V	≤2.5V	≤2.5V
Residual Current	—	—	—	—
Short-circuit protection	built-in	built-in	built-in	built-in
Switching Freq.	100Hz	100Hz	100Hz	100Hz
Hysteresis %Sr	3...15%	3...15%	3...15%	3...15%
Repetition Accuracy	≤5%Sr	≤5%Sr	≤5%Sr	≤5%Sr
Housing material	Brass	PBT	Brass	PBT
Protection degree	IP67	IP67	IP67	IP67
Operating Temp.	-25~70°C	-25~70°C	-25~70°C	-25~70°C
Output LED	built-in yellow	built-in yellow	built-in yellow	built-in yellow

Output function Type & Item No.				
PNP,NO	RB8-M18-E2	RB8-M18T-E2	RB8-M18-E2/2M	RB8-M18T-E2/2M
	A718.0132 S023	A718.0144 S023	A718.0131 S015	A718.0143 S015
PNP,NC	RB8-M18-E3	RB8-M18T-E3	RB8-M18-E3/2M	RB8-M18T-E3/2M
	A718.0130 S024	A718.0142 S024	A718.0129 S016	A718.0141 S016
PNP,NO+NC				
NPN,NO	RB8-M18-E0	RB8-M18T-E0	RB8-M18-E0/2M	RB8-M18T-E0/2M
	A718.0128 S021	A718.0140 S021	A718.0127 S013	A718.0139 S013
NPN,NC	RB8-M18-E1	RB8-M18T-E1	RB8-M18-E1/2M	RB8-M18T-E1/2M
	A718.0126 S022	A718.0138 S022	A718.0125 S014	A718.0137 S014
NPN,NO+NC				

Housing style	M18
Sensing distance	12mm
Mounting condition	flush

Dimensions		

Performance Parameter

Operating Voltage	10...30VDC	10...30VDC	10...30VDC	10...30VDC
Operating Current	≤200mA	≤200mA	≤200mA	≤200mA
Connection	M12,Connection	M12,Connection	2M,PVC Cable	2M,PVC Cable
Voltage Drop.	≤2.5V	≤2.5V	≤2.5V	≤2.5V
Residual Current	—	—	—	—
Short-circuit protection	built-in	built-in	built-in	built-in
Switching Freq.	100Hz	100Hz	100Hz	100Hz
Hysteresis %Sr	3...15%	3...15%	3...15%	3...15%
Repetition Accuracy	≤5%Sr	≤5%Sr	≤5%Sr	≤5%Sr
Housing material	Brass	PBT	Brass	PBT
Protection degree	IP67	IP67	IP67	IP67
Operating Temp.	-25~70°C	-25~70°C	-25~70°C	-25~70°C
Output LED	built-in yellow	built-in yellow	built-in yellow	built-in yellow

Output function | Type & Item No.

PNP,NO	RB12-M18-E2	RB12-M18T-E2	RB12-M18-E2/2M	RB12-M18T-E2/2M
	A718.0112 S023	A718.0120 S023	A718.0111 S015	A718.0119 S015
PNP,NC	RB12-M18-E3	RB12-M18T-E3	RB12-M18-E3/2M	RB12-M18T-E3/2M
	A718.0110 S024	A718.0118 S024	A718.0109 S016	A718.0117 S016
PNP,NO+NC				
NPN,NO	RB12-M18-E0	RB12-M18T-E0	RB12-M18-E0/2M	RB12-M18T-E0/2M
	A718.0108 S021	A718.0116 S021	A718.0107 S013	A718.0115 S013
NPN,NC	RB12-M18-E1	RB12-M18T-E1	RB12-M18-E1/2M	RB12-M18T-E1/2M
	A718.0106 S022	A718.0114 S022	A718.0105 S014	A718.0113 S014
NPN,NO+NC				

B.C.E. s.r.l.

Via Regina Pacis, 54/c - 41049 SASSUOLO (MO) Italy

Tel. +39 0536 811.616 r.a. - Fax +39 0536 811.500

www.bce.it - E-mail: bce@bce.it

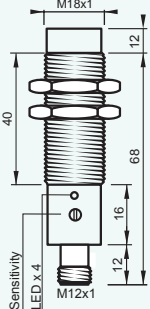
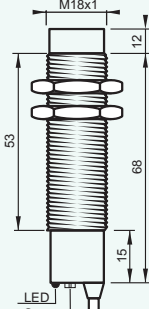
Housing style	M18
Sensing distance	15mm
Mounting condition	Non-flush

Dimensions		
------------	--	--

Performance Parameter				
Operating Voltage	10...30VDC	10...30VDC	10...30VDC	10...30VDC
Operating Current	≤200mA	≤200mA	≤200mA	≤200mA
Connection	M12,Connection	M12,Connection	2M,PVC Cable	2M,PVC Cable
Voltage Drop.	≤2.5V	≤2.5V	≤2.5V	≤2.5V
Residual Current	—	—	—	—
Short-circuit protection	built-in	built-in	built-in	built-in
Switching Freq.	100Hz	100Hz	100Hz	100Hz
Hysteresis %Sr	3...15%	3...15%	3...15%	3...15%
Repetition Accuracy	≤5%Sr	≤5%Sr	≤5%Sr	≤5%Sr
Housing material	Brass	PBT	Brass	PBT
Protection degree	IP67	IP67	IP67	IP67
Operating Temp.	-25~70°C	-25~70°C	-25~70°C	-25~70°C
Output LED	built-in yellow	built-in yellow	built-in yellow	built-in yellow

Output function Type & Item No.				
PNP,NO	RN15-M18-E2	RN15-M18T-E2	RN15-M18-E2/2M	RN15-M18T-E2/2M
	A718.0076 S023	A718.0088 S023	A718.0075 S015	A718.0087 S015
PNP,NC	RN15-M18-E3	RN15-M18T-E3	RN15-M18-E3/2M	RN15-M18T-E3/2M
	A718.0074 S024	A718.0086 S024	A718.0073 S016	A718.0085 S016
PNP,NO+NC				
NPN,NO	RN15-M18-E0	RN15-M18T-E0	RN15-M18-E0/2M	RN15-M18T-E0/2M
	A718.0072 S021	A718.0084 S021	A718.0071 S013	A718.0083 S013
NPN,NC	RN15-M18-E1	RN15-M18T-E1	RN15-M18-E1/2M	RN15-M18T-E1/2M
	A718.0070 S022	A718.0082 S022	A718.0069 S014	A718.0081 S014
NPN,NO+NC				

Housing style	M18
Sensing distance	20mm
Mounting condition	Non-flush

Dimensions		

Performance Parameter

Operating Voltage	10...30VDC	10...30VDC	10...30VDC	10...30VDC
Operating Current	≤200mA	≤200mA	≤200mA	≤200mA
Connection	M12,Connection	M12,Connection	2M,PVC Cable	2M,PVC Cable
Voltage Drop.	≤2.5V	≤2.5V	≤2.5V	≤2.5V
Residual Current	—	—	—	—
Short-circuit protection	built-in	built-in	built-in	built-in
Switching Freq.	100Hz	100Hz	100Hz	100Hz
Hysteresis %Sr	3...15%	3...15%	3...15%	3...15%
Repetition Accuracy	≤5%Sr	≤5%Sr	≤5%Sr	≤5%Sr
Housing material	Brass	PBT	Brass	PBT
Protection degree	IP67	IP67	IP67	IP67
Operating Temp.	-25~70°C	-25~70°C	-25~70°C	-25~70°C
Output LED	built-in yellow	built-in yellow	built-in yellow	built-in yellow

Output function | Type & Item No.

PNP,NO	RN20-M18-E2	RN20-M18T-E2	RN20-M18-E2/2M	RN20-M18T-E2/2M
	A718.0096 S023	A718.0104 S023	A718.0095 S015	A718.0103 S015
PNP,NC	RN20-M18-E3	RN20-M18T-E3	RN20-M18-E3/2M	RN20-M18T-E3/2M
	A718.0094 S024	A718.0102 S024	A718.0093 S016	A718.0101 S016
PNP,NO+NC				
NPN,NO	RN20-M18-E0	RN20-M18T-E0	RN20-M18-E0/2M	RN20-M18T-E0/2M
	A718.0092 S021	A718.0100 S021	A718.0091 S013	A718.0099 S013
NPN,NC	RN20-M18-E1	RN20-M18T-E1	RN20-M18-E1/2M	RN20-M18T-E1/2M
	A718.0090 S022	A718.0098 S022	A718.0089 S014	A718.0097 S014
NPN,NO+NC				

B.C.E. s.r.l.

Via Regina Pacis, 54/c - 41049 SASSUOLO (MO) Italy

Tel. +39 0536 811.616 r.a. - Fax +39 0536 811.500

www.bce.it - E-mail: bce@bce.it

Housing style	M30
Sensing distance	20mm
Mounting condition	Flush

Dimensions		

Performance Parameter

Operating Voltage	10...30VDC	10...30VDC	10...30VDC	10...30VDC
Operating Current	≤200mA	≤200mA	≤200mA	≤200mA
Connection	M12, Connection	M12, Connection	2M, PVC Cable	2M, PVC Cable
Voltage Drop.	≤2.5V	≤2.5V	≤2.5V	≤2.5V
Residual Current	—	—	—	—
Short-circuit protection	built-in	built-in	built-in	built-in
Switching Freq.	100Hz	100Hz	100Hz	100Hz
Hysteresis %Sr	3...15%	3...15%	3...15%	3...15%
Repetition Accuracy	≤5%Sr	≤5%Sr	≤5%Sr	≤5%Sr
Housing material	Brass	PBT	Brass	PBT
Protection degree	IP67	IP67	IP67	IP67
Operating Temp.	-25~70°C	-25~70°C	-25~70°C	-25~70°C
Output LED	built-in yellow	built-in yellow	built-in yellow	built-in yellow

Output function | Type & Item No.

PNP,NO	RB20-M30-E2	RB20-M30T-E2	RB20-M30-E2/2M	RB20-M30T-E2/2M
	A730.0118 S023	A730.0132 S023	A730.0117 S015	A730.0131 S015
PNP,NC	RB20-M30-E3	RB20-M30T-E3	RB20-M30-E3/2M	RB20-M30T-E3/2M
	A730.0116 S024	A730.0130 S024	A730.0115 S016	A730.0129 S016
PNP,NO+NC				
NPN,NO	RB20-M30-E0	RB20-M30T-E0	RB20-M30-E0/2M	RB20-M30T-E0/2M
	A730.0114 S021	A730.0128 S021	A730.0113 S013	A730.0127 S013
NPN,NC	RB20-M30-E1	RB20-M30T-E1	RB20-M30-E1/2M	RB20-M30T-E1/2M
	A730.0112 S022	A730.0126 S022	A730.0111 S014	A730.0125 S014
NPN,NO+NC				

B.C.E. s.r.l.

Via Regina Pacis, 54/c - 41049 SASSUOLO (MO) Italy

Tel. +39 0536 811.616 r.a. - Fax +39 0536 811.500

www.bce.it - E-mail: bce@bce.it

Housing style	M30
Sensing distance	25mm
Mounting condition	Flush

Dimensions		

Performance Parameter				
Operating Voltage	10...30VDC	10...30VDC	10...30VDC	10...30VDC
Operating Current	≤200mA	≤200mA	≤200mA	≤200mA
Connection	M12,Connection	M12,Connection	2M,PVC Cable	2M,PVC Cable
Voltage Drop.	≤2.5V	≤2.5V	≤2.5V	≤2.5V
Residual Current	—	—	—	—
Short-circuit protection	built-in	built-in	built-in	built-in
Switching Freq.	100Hz	100Hz	100Hz	100Hz
Hysteresis %Sr	3...15%	3...15%	3...15%	3...15%
Repetition Accuracy	≤5%Sr	≤5%Sr	≤5%Sr	≤5%Sr
Housing material	Brass	PBT	Brass	PBT
Protection degree	IP67	IP67	IP67	IP67
Operating Temp.	-25~70°C	-25~70°C	-25~70°C	-25~70°C
Output LED	built-in yellow	built-in yellow	built-in yellow	built-in yellow

Output function Type & Item No.				
PNP,NO	RB25-M30-E2	RB25-M30T-E2	RB25-M30-E2/2M	RB25-M30T-E2/2M
	A730.0140 S023	A730.0148 S023	A730.0139 S015	A730.0147 S015
PNP,NC	RB25-M30-E3	RB25-M30T-E3	RB25-M30-E3/2M	RB25-M30T-E3/2M
	A730.0138 S024	A730.0146 S024	A730.0137 S016	A730.0145 S016
PNP,NO+NC				
NPN,NO	RB25-M30-E0	RB25-M30T-E0	RB25-M30-E0/2M	RB25-M30T-E0/2M
	A730.0136 S021	A730.0144 S021	A730.0135 S013	A730.0143 S013
NPN,NC	RB25-M30-E1	RB25-M30T-E1	RB25-M30-E1/2M	RB25-M30T-E1/2M
	A730.0134 S022	A730.0142 S022	A730.0133 S014	A730.0141 S014
NPN,NO+NC				

B.C.E. s.r.l.

Via Regina Pacis, 54/c - 41049 SASSUOLO (MO) Italy

Tel. +39 0536 811.616 r.a. - Fax +39 0536 811.500

www.bce.it - E-mail: bce@bce.it

Housing style	M30
Sensing distance	30mm
Mounting condition	Non-flush

Dimensions		

Performance Parameter

Operating Voltage	10...30VDC	10...30VDC	10...30VDC	10...30VDC
Operating Current	≤200mA	≤200mA	≤200mA	≤200mA
Connection	M12,Connection	M12,Connection	2M,PVC Cable	2M,PVC Cable
Voltage Drop.	≤2.5V	≤2.5V	≤2.5V	≤2.5V
Residual Current	—	—	—	—
Short-circuit protection	built-in	built-in	built-in	built-in
Switching Freq.	100Hz	100Hz	100Hz	100Hz
Hysteresis %Sr	3...15%	3...15%	3...15%	3...15%
Repetition Accuracy	≤5%Sr	≤5%Sr	≤5%Sr	≤5%Sr
Housing material	Brass	PBT	Brass	PBT
Protection degree	IP67	IP67	IP67	IP67
Operating Temp.	-25~70°C	-25~70°C	-25~70°C	-25~70°C
Output LED	built-in yellow	built-in yellow	built-in yellow	built-in yellow

Output function | Type & Item No.

PNP,NO	RN30-M30-E2	RN30-M30T-E2	RN30-M30-E2/2M	RN30-M30T-E2/2M
	A730.0076 S023	A730.0088 S023	A730.0075 S015	A730.0087 S015
PNP,NC	RN30-M30-E3	RN30-M30T-E3	RN30-M30-E3/2M	RN30-M30T-E3/2M
	A730.0074 S024	A730.0086 S024	A730.0073 S016	A730.0085 S016
PNP,NO+NC				
NPN,NO	RN30-M30-E0	RN30-M30T-E0	RN30-M30-E0/2M	RN30-M30T-E0/2M
	A730.0072 S021	A730.0084 S021	A730.0071 S013	A730.0083 S013
NPN,NC	RN30-M30-E1	RN30-M30T-E1	RN30-M30-E1/2M	RN30-M30T-E1/2M
	A730.0070 S022	A730.0082 S022	A730.0069 S014	A730.0081 S014
NPN,NO+NC				

B.C.E. s.r.l.

Via Regina Pacis, 54/c - 41049 SASSUOLO (MO) Italy

Tel. +39 0536 811.616 r.a. - Fax +39 0536 811.500

www.bce.it - E-mail: bce@bce.it

Housing style	M30
Sensing distance	35mm
Mounting condition	Non-flush

Dimensions		

Performance Parameter				
Operating Voltage	10...30VDC	10...30VDC	10...30VDC	10...30VDC
Operating Current	≤200mA	≤200mA	≤200mA	≤200mA
Connection	M12,Connection	M12,Connection	2M,PVC Cable	2M,PVC Cable
Voltage Drop.	≤2.5V	≤2.5V	≤2.5V	≤2.5V
Residual Current	—	—	—	—
Short-circuit protection	built-in	built-in	built-in	built-in
Switching Freq.	100Hz	100Hz	100Hz	100Hz
Hysteresis %Sr	3...15%	3...15%	3...15%	3...15%
Repetition Accuracy	≤5%Sr	≤5%Sr	≤5%Sr	≤5%Sr
Housing material	Brass	PBT	Brass	PBT
Protection degree	IP67	IP67	IP67	IP67
Operating Temp.	-25~70°C	-25~70°C	-25~70°C	-25~70°C
Output LED	built-in yellow	built-in yellow	built-in yellow	built-in yellow

Output function Type & Item No.				
PNP,NO	RN35-M30-E2	RN35-M30T-E2	RN35-M30-E2/2M	RN35-M30T-E2/2M
	A730.0096 S023	A730.0104 S023	A730.0095 S015	A730.0103 S015
PNP,NC	RN35-M30-E3	RN35-M30T-E3	RN35-M30-E3/2M	RN35-M30T-E3/2M
	A730.0094 S024	A730.0102 S024	A730.0093 S016	A730.0101 S016
PNP,NO+NC				
NPN,NO	RN35-M30-E0	RN35-M30T-E0	RN35-M30-E0/2M	RN35-M30T-E0/2M
	A730.0092 S021	A730.0100 S021	A730.0091 S013	A730.0099 S013
NPN,NC	RN35-M30-E1	RN35-M30T-E1	RN35-M30-E1/2M	RN35-M30T-E1/2M
	A730.0090 S022	A730.0098 S022	A730.0089 S014	A730.0097 S014
NPN,NO+NC				

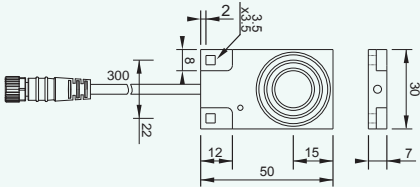
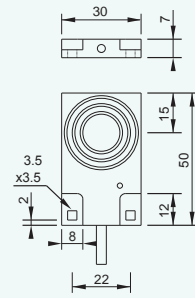
B.C.E. s.r.l.

Via Regina Pacis, 54/c - 41049 SASSUOLO (MO) Italy

Tel. +39 0536 811.616 r.a. - Fax +39 0536 811.500

www.bce.it - E-mail: bce@bce.it

Housing style	Q07	Q07	Q07	Q07
Sensing distance	6mm	10mm	6mm	10mm
Mounting condition	Flush	Non-flush	Flush	Non-flush

Dimensions				
------------	---	--	---	--

Performance Parameter				
Operating Voltage	10...30VDC	10...30VDC	10...30VDC	10...30VDC
Operating Current	≤200mA	≤200mA	≤200mA	≤200mA
Connection	300mmPVC+M8 Connection	300mmPVC+M8 Connection	2M,PVC Cable	2M,PVC Cable
Voltage Drop.	≤2.5V	≤2.5V	≤2.5V	≤2.5V
Residual Current	—	—	—	—
Short-circuit protection	built-in	built-in	built-in	built-in
Switching Freq.	100Hz	100Hz	100Hz	100Hz
Hysteresis %Sr	3...15%	3...15%	3...15%	3...15%
Repetition Accuracy	≤5%Sr	≤5%Sr	≤5%Sr	≤5%Sr
Housing material	PBT	PBT	PBT	PBT
Protection degree	IP67	IP67	IP67	IP67
Operating Temp.	-25~70°C	-25~70°C	-25~70°C	-25~70°C
Output LED	built-in yellow	built-in yellow	built-in yellow	built-in yellow

Output function Type & Item No.				
PNP,NO	RB6-Q07T-E2/S0.3M	RN10-Q07T-E2/S0.3M	RB6-Q07T-E2/2M	RN10-Q07T-E2/2M
	A707.0016 S019	A707.0008 S019	A707.0015 S015	A707.0007 S015
PNP,NC	RB6-Q07T-E3/S0.3M	RN10-Q07T-E3/S0.3M	RB6-Q07T-E3/2M	RN10-Q07T-E3/2M
	A707.0014 S020	A707.0006 S020	A707.0013 S016	A707.0005 S016
PNP,NO+NC				
NPN,NO	RB6-Q07T-E0/S0.3M	RN10-Q07T-E0/S0.3M	RB6-Q07T-E0/2M	RN10-Q07T-E0/2M
	A707.0012 S017	A707.0004 S017	A707.0011 S013	A707.0003 S013
NPN,NC	RB6-Q07T-E1/S0.3M	RN10-Q07T-E1/S0.3M	RB6-Q07T-E1/2M	RN10-Q07T-E1/2M
	A707.0010 S018	A707.0002 S018	A707.0009 S014	A707.0001 S014
NPN,NO+NC				

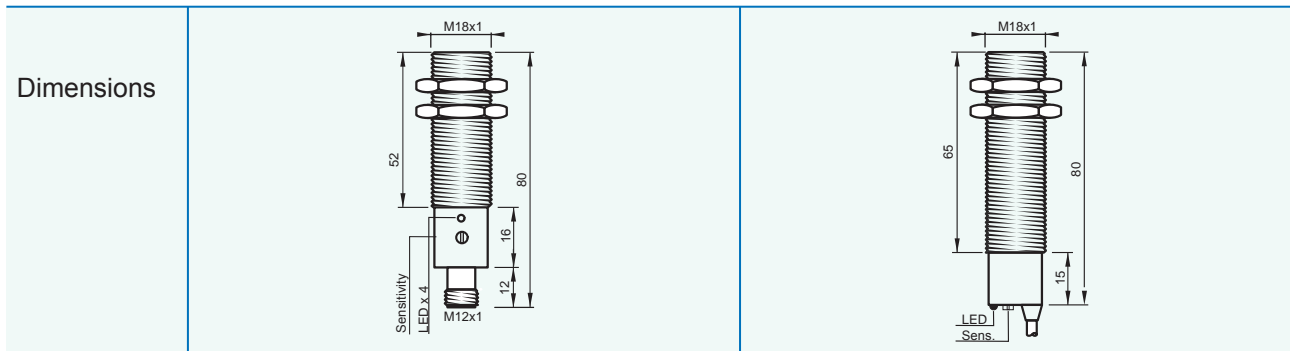
Housing style	K40	K40		
Sensing distance	20mm	30mm		
Mounting condition	flush	Non-flush		

Dimensions				
------------	--	--	--	--

Performance Parameter				
Operating Voltage	10...30VDC	10...30VDC		
Operating Current	≤200mA	≤200mA		
Connection	terminal chamber	terminal chamber		
Voltage Drop.	≤2.5V	≤2.5V		
Residual Current	—	—		
Short-circuit protection	built-in	built-in		
Switching Freq.	100Hz	100Hz		
Hysteresis %Sr	3...15%	3...15%		
Repetition Accuracy	≤5%Sr	≤5%Sr		
Housing material	PBT	PBT		
Protection degree	IP67	IP67		
Operating Temp.	-25~70°C	-25~70°C		
Output LED	built-in yellow	built-in yellow		

Output function Type & Item No.				
PNP,NO	RB20-K40T-E2/SK	RN30-K40T-E2/SK		
	A745.0016 S027	A745.0008 S027		
PNP,NC	RB20-K40T-E3/SK	RN30-K40T-E3/SK		
	A745.0014 S028	A745.0006 S028		
PNP,NO+NC	RB20-K40T-D2/SK	RN30-K40T-D2/SK		
	A745.0015 S006	A745.0007 S006		
NPN,NO	RB20-K40T-E0/SK	RN30-K40T-E0/SK		
	A745.0013 S025	A745.0005 S025		
NPN,NC	RB20-K40T-E1/SK	RN30-K40T-E1/SK		
	A745.0011 S026	A745.0003 S026		
NPN,NO+NC	RB20-K40T-D0/SK	RN30-K40T-D0/SK		
	A745.0012 S005	A745.0004 S005		

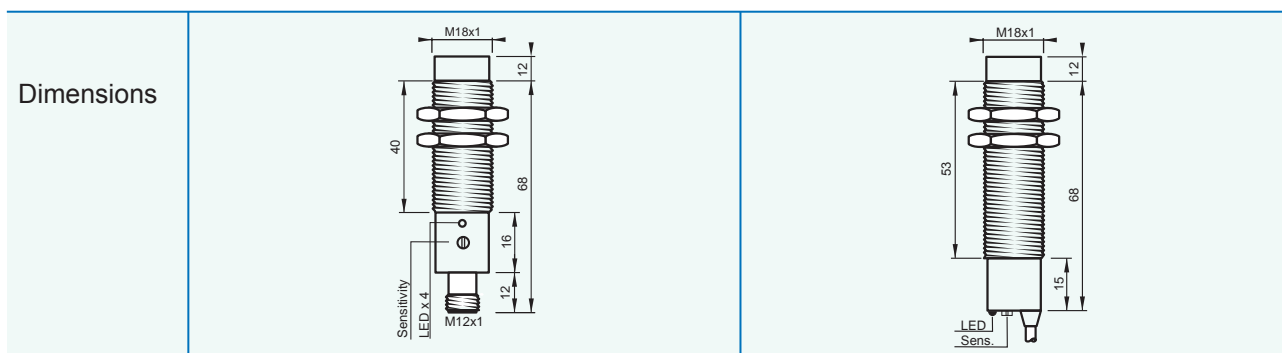
Housing style	M18
Sensing distance	8mm
Mounting condition	flush



Performance Parameter				
Operating Voltage	20~250VAC	20~250VAC	20~250VAC	20~250VAC
Operating Current	≤400mA	≤400mA	≤400mA	≤400mA
Connection	M12,Connection	M12,Connection	2M,PVC Cable	2M,PVC Cable
Voltage Drop.	≤6.5V	≤6.5V	≤6.5V	≤6.5V
Residual Current	≤3mA	≤3mA	≤3mA	≤3mA
Short-circuit protection	built-in	built-in	built-in	built-in
Switching Freq.	25Hz	25Hz	25Hz	25Hz
Hysteresis %Sr	3...15%	3...15%	3...15%	3...15%
Repetition Accuracy	≤5%Sr	≤5%Sr	≤5%Sr	≤5%Sr
Housing material	Brass	PBT	Brass	PBT
Protection degree	IP67	IP67	IP67	IP67
Operating Temp.	-25~70°C	-25~70°C	-25~70°C	-25~70°C
Output LED	built-in yellow	built-in yellow	built-in yellow	built-in yellow

Output function Type & Item No.								
AC 2wire,NO	RB8-M18-A4		RB8-M18T-A4		RB8-M18-A4/2M		RB8-M18T-A4/2M	
	A718.0124	S009	A718.0136	S009	A718.0123	S007	A718.0135	S007
AC 2wire,NC	RB8-M18-A2		RB8-M18T-A2		RB8-M18-A2/2M		RB8-M18T-A2/2M	
	A718.0122	S010	A718.0134	S010	A718.0121	S008	A718.0133	S008

Housing style	M18
Sensing distance	15mm
Mounting condition	flush



Performance Parameter				
Operating Voltage	20~250VAC	20~250VAC	20~250VAC	20~250VAC
Operating Current	≤400mA	≤400mA	≤400mA	≤400mA
Connection	M12,Connection	M12,Connection	2M,PVC Cable	2M,PVC Cable
Voltage Drop.	≤6.5V	≤6.5V	≤6.5V	≤6.5V
Residual Current	≤3mA	≤3mA	≤3mA	≤3mA
Short-circuit protection	built-in	built-in	built-in	built-in
Switching Freq.	25Hz	25Hz	25Hz	25Hz
Hysteresis %Sr	3...15%	3...15%	3...15%	3...15%
Repetition Accuracy	≤5%Sr	≤5%Sr	≤5%Sr	≤5%Sr
Housing material	Brass	PBT	Brass	PBT
Protection degree	IP67	IP67	IP67	IP67
Operating Temp.	-25~70°C	-25~70°C	-25~70°C	-25~70°C
Output LED	built-in yellow	built-in yellow	built-in yellow	built-in yellow

Output function Type & Item No.				
AC 2wire,NO	RN15-M18-A4	RN15-M18T-A4	RN15-M18-A4/2M	RN15-M18T-A4/2M
	A718.0068 S009	A718.0080 S009	A718.0067 S007	A718.0079 S007
AC 2wire,NC	RN15-M18-A2	RN15-M18T-A2	RN15-M18-A2/2M	RN15-M18T-A2/2M
	A718.0066 S010	A718.0078 S010	A718.0065 S008	A718.0077 S008

Housing style	M30
Sensing distance	20mm
Mounting condition	flush

Dimensions		

Performance Parameter				
Operating Voltage	20~250VAC	20~250VAC	20~250VAC	20~250VAC
Operating Current	≤400mA	≤400mA	≤400mA	≤400mA
Connection	M12,Connection	M12,Connection	2M,PVC Cable	2M,PVC Cable
Voltage Drop.	≤6.5V	≤6.5V	≤6.5V	≤6.5V
Residual Current	≤3mA	≤3mA	≤3mA	≤3mA
Short-circuit protection	built-in	built-in	built-in	built-in
Switching Freq.	25Hz	25Hz	25Hz	25Hz
Hysteresis %Sr	3...15%	3...15%	3...15%	3...15%
Repetition Accuracy	≤5%Sr	≤5%Sr	≤5%Sr	≤5%Sr
Housing material	Brass	PBT	Brass	PBT
Protection degree	IP67	IP67	IP67	IP67
Operating Temp.	-25~70°C	-25~70°C	-25~70°C	-25~70°C
Output LED	built-in yellow	built-in yellow	built-in yellow	built-in yellow

Output function Type & Item No.				
AC 2wire,NO	RB20-M30-A4	RB20-M30T-A4	RB20-M30-A4/2M	RB20-M30T-A4/2M
	A730.0109 S009	A730.0123 S009	A730.0108 S007	A730.0122 S007
AC 2wire,NC	RB20-M30-A2	RB20-M30T-A2	RB20-M30-A2/2M	RB20-M30T-A2/2M
	A730.0106 S010	A730.0120 S010	A730.0105 S008	A730.0119 S008

B.C.E. s.r.l.

Via Regina Pacis, 54/c - 41049 SASSUOLO (MO) Italy

Tel. +39 0536 811.616 r.a. - Fax +39 0536 811.500

www.bce.it - E-mail: bce@bce.it

Housing style	M30
Sensing distance	30mm
Mounting condition	Non-flush

Dimensions		

Performance Parameter				
Operating Voltage	20~250VAC	20~250VAC	20~250VAC	20~250VAC
Operating Current	≤400mA	≤400mA	≤400mA	≤400mA
Connection	M12,Connection	M12,Connection	2M,PVC Cable	2M,PVC Cable
Voltage Drop.	≤6.5V	≤6.5V	≤6.5V	≤6.5V
Residual Current	≤3mA	≤3mA	≤3mA	≤3mA
Short-circuit protection	built-in	built-in	built-in	built-in
Switching Freq.	25Hz	25Hz	25Hz	25Hz
Hysteresis %Sr	3...15%	3...15%	3...15%	3...15%
Repetition Accuracy	≤5%Sr	≤5%Sr	≤5%Sr	≤5%Sr
Housing material	Brass	PBT	Brass	PBT
Protection degree	IP67	IP67	IP67	IP67
Operating Temp.	-25~70°C	-25~70°C	-25~70°C	-25~70°C
Output LED	built-in yellow	built-in yellow	built-in yellow	built-in yellow

Output function Type & Item No.				
AC 2wire,NO	RN30-M30-A4	RN30-M30T-A4	RN30-M30-A4/2M	RN30-M30T-A4/2M
	A730.0068 S009	A730.0080 S009	A730.0067 S007	A730.0079 S007
AC 2wire,NC	RN30-M30-A2	RN30-M30T-A2	RN30-M30-A2/2M	RN30-M30T-A2/2M
	A730.0066 S010	A730.0078 S010	A730.0065 S008	A730.0077 S008

Housing style	K40	K40		
Sensing distance	20mm	30mm		
Mounting condition	Flush	Non-flush		

Dimensions				
------------	--	--	--	--

Performance Parameter				
Operating Voltage	20~250VAC	20~250VAC		
Operating Current	≤400mA	≤400mA		
Connection	terminal chamber	terminal chamber		
Voltage Drop.	≤6.5V	≤6.5V		
Residual Current	≤3mA	≤3mA		
Short-circuit protection	built-in	built-in		
Switching Freq.	25Hz	25Hz		
Hysteresis %Sr	3...15%	3...15%		
Repetition Accuracy	≤5%Sr	≤5%Sr		
Housing material	PBT	PBT		
Protection degree	IP67	IP67		
Operating Temp.	-25~70°C	-25~70°C		
Output LED	built-in yellow	built-in yellow		

Output function Type & Item No.				
AC 2wire,NO	RB20-K40T-A4/SK A730.0010	S011	RN30-K40T-A4/SK A745.0002	S011
AC 2wire,NC	RB20-K40T-A2/SK A730.0009	S012	RN30-K40T-A2/SK A745.0001	S012

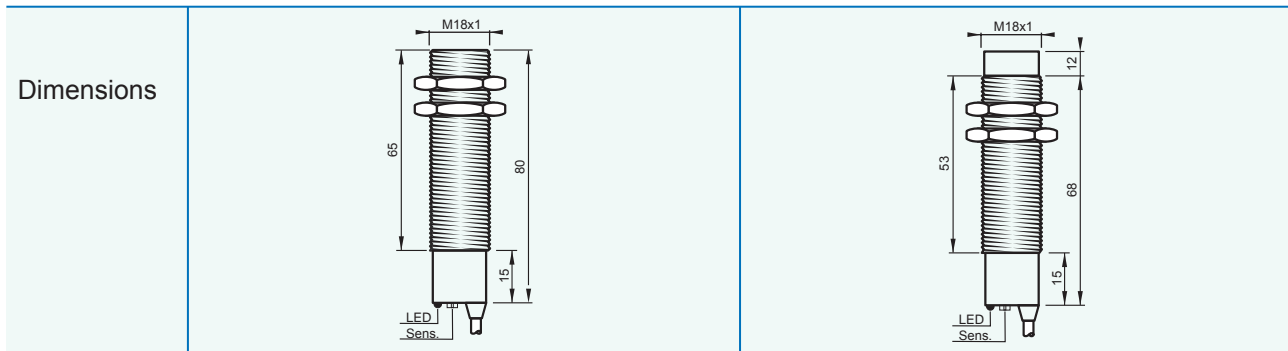
Housing style	M12	M12
Sensing distance	4mm	8mm
Mounting condition	Flush	Non-flush

Dimensions		
------------	--	--

Performance Parameter				
Operating Voltage	10...30VDC	10...30VDC	10...30VDC	10...30VDC
Operating Current	≤200mA	≤200mA	≤200mA	≤200mA
Connection	2M,Silicon Calbe	2M,PTFE Calbe	2M,Silicon Calbe	2M,PTFE Calbe
Voltage Drop.	≤2.5V	≤2.5V	≤2.5V	≤2.5V
Residual Current	—	—	—	—
Short-circuit protection	built-in	built-in	built-in	built-in
Switching Freq.	100Hz	100Hz	100Hz	100Hz
Hysteresis %Sr	3...15%	3...15%	3...15%	3...15%
Repetition Accuracy	≤5%Sr	≤5%Sr	≤5%Sr	≤5%Sr
Housing material	Brass	Brass	Brass	Brass
Protection degree	IP67	IP67	IP67	IP67
Operating Temp.	-25~120°C	-25~120°C	-25~120°C	-25~120°C
Output LED	built-in yellow	built-in yellow	built-in yellow	built-in yellow

Output function Type & Item No.				
PNP,NO	RB4-M12-E2-120/2MS	RB4-M12-E2-120/2MT	RN8-M12-E2-120/2MS	RN8-M12-E2-120/2MT
	A712.0045 S015	A712.0046 S015	A712.0013 S015	A712.0014 S015
PNP,NC	RB4-M12-E3-120/2MS	RB4-M12-E3-120/2MT	RN8-M12-E3-120/2MS	RN8-M12-E3-120/2MT
	A712.0041 S016	A712.0042 S016	A712.0009 S016	A712.0010 S016
PNP,NO+NC				
NPN,NO	RB4-M12-E0-120/2MS	RB4-M12-E0-120/2MT	RN8-M12-E0-120/2MS	RN8-M12-E0-120/2MT
	A712.0037 S013	A712.0038 S013	A712.0005 S013	A712.0006 S013
NPN,NC	RB4-M12-E1-120/2MS	RB4-M12-E1-120/2MT	RN8-M12-E1-120/2MS	RN8-M12-E1-120/2MT
	A712.0033 S014	A712.0034 S014	A712.0001 S014	A712.0002 S014
NPN,NO+NC				

Housing style	M18	M18
Sensing distance	8mm	15mm
Mounting condition	Flush	Non-flush



Performance Parameter				
Operating Voltage	10...30VDC	10...30VDC	10...30VDC	10...30VDC
Operating Current	≤200mA	≤200mA	≤200mA	≤200mA
Connection	2M,Silicon Calbe	2M,PTFE Calbe	2M,Silicon Calbe	2M,PTFE Calbe
Voltage Drop.	≤2.5V	≤2.5V	≤2.5V	≤2.5V
Residual Current	—	—	—	—
Short-circuit protection	built-in	built-in	built-in	built-in
Switching Freq.	100Hz	100Hz	100Hz	100Hz
Hysteresis %Sr	3...15%	3...15%	3...15%	3...15%
Repetition Accuracy	≤5%Sr	≤5%Sr	≤5%Sr	≤5%Sr
Housing material	Brass	Brass	Brass	Brass
Protection degree	IP67	IP67	IP67	IP67
Operating Temp.	-25~120°C	-25~120°C	-25~120°C	-25~120°C
Output LED	built-in yellow	built-in yellow	built-in yellow	built-in yellow

Output function Type & Item No.				
PNP,NO	RB8-M18-E2-120/2MS	RB8-M18-E2-120/2MT	RN15-M18-E2-120/2MS	RN15-M18-E2-120/2MT
	A718.0045 S015	A718.0046 S015	A718.0013 S015	A718.0014 S015
PNP,NC	RB8-M18-E3-120/2MS	RB8-M18-E3-120/2MT	RN15-M18-E3-120/2MS	RN15-M18-E3-120/2MT
	A718.0041 S016	A718.0042 S016	A718.0009 S016	A718.0010 S016
PNP,NO+NC				
NPN,NO	RB8-M18-E0-120/2MS	RB8-M18-E0-120/2MT	RN15-M18-E0-120/2MS	RN15-M18-E0-120/2MT
	A718.0037 S013	A718.0038 S013	A718.0005 S013	A718.0006 S013
NPN,NC	RB8-M18-E1-120/2MS	RB8-M18-E1-120/2MT	RN15-M18-E1-120/2MS	RN15-M18-E1-120/2MT
	A718.0033 S014	A718.0034 S014	A718.0001 S014	A718.0002 S014
NPN,NO+NC				

B.C.E. s.r.l.

Via Regina Pacis, 54/c - 41049 SASSUOLO (MO) Italy

Tel. +39 0536 811.616 r.a. - Fax +39 0536 811.500

www.bce.it - E-mail: bce@bce.it

Housing style	M30	M30
Sensing distance	20mm	30mm
Mounting condition	Flush	Non-flush

Dimensions		

Performance Parameter

Operating Voltage	10...30VDC	10...30VDC	10...30VDC	10...30VDC
Operating Current	≤200mA	≤200mA	≤200mA	≤200mA
Connection	2M,Silicon Calbe	2M,PTFE Calbe	2M,Silicon Calbe	2M,PTFE Calbe
Voltage Drop.	≤2.5V	≤2.5V	≤2.5V	≤2.5V
Residual Current	—	—	—	—
Short-circuit protection	built-in	built-in	built-in	built-in
Switching Freq.	100Hz	100Hz	100Hz	100Hz
Hysteresis %Sr	3...15%	3...15%	3...15%	3...15%
Repetition Accuracy	≤5%Sr	≤5%Sr	≤5%Sr	≤5%Sr
Housing material	Brass	Brass	Brass	Brass
Protection degree	IP67	IP67	IP67	IP67
Operating Temp.	-25~120°C	-25~120°C	-25~120°C	-25~120°C
Output LED	built-in yellow	built-in yellow	built-in yellow	built-in yellow

Output function | Type & Item No.

PNP,NO	RB20-M30-E2-120/2MS	RB20-M30-E2-120/2MT	RN30-M30-E2-120/2MS	RN30-M30-E2-120/2MT
	A730.0045 S015	A730.0046 S015	A730.0013 S015	A730.0014 S015
PNP,NC	RB20-M30-E3-120/2MS	RB20-M30-E3-120/2MT	RN30-M30-E3-120/2MS	RN30-M30-E3-120/2MT
	A730.0041 S016	A730.0042 S016	A730.0009 S016	A730.0010 S016
PNP,NO+NC				
NPN,NO	RB20-M30-E0-120/2MS	RB20-M30-E0-120/2MT	RN30-M30-E0-120/2MS	RN30-M30-E0-120/2MT
	A730.0037 S013	A730.0038 S013	A730.0005 S013	A730.0006 S013
NPN,NC	RB20-M30-E1-120/2MS	RB20-M30-E1-120/2MT	RN30-M30-E1-120/2MS	RN30-M30-E1-120/2MT
	A730.0033 S014	A730.0034 S014	A730.0001 S014	A730.0002 S014
NPN,NO+NC				

B.C.E. s.r.l.

Via Regina Pacis, 54/c - 41049 SASSUOLO (MO) Italy

Tel. +39 0536 811.616 r.a. - Fax +39 0536 811.500

www.bce.it - E-mail: bce@bce.it

GSEE TECH | 031

Housing style	M12	M12
Sensing distance	4mm	8mm
Mounting condition	Flush	Non-flush

Dimensions		
------------	--	--

Performance Parameter				
Operating Voltage	10...30VDC	10...30VDC	10...30VDC	10...30VDC
Operating Current	≤200mA	≤200mA	≤200mA	≤200mA
Connection	2M,Silicon Calbe	2M,PTFE Calbe	2M,Silicon Calbe	2M,PTFE Calbe
Voltage Drop.	≤2.5V	≤2.5V	≤2.5V	≤2.5V
Residual Current	—	—	—	—
Short-circuit protection	built-in	built-in	built-in	built-in
Switching Freq.	100Hz	100Hz	100Hz	100Hz
Hysteresis %Sr	3...15%	3...15%	3...15%	3...15%
Repetition Accuracy	≤5%Sr	≤5%Sr	≤5%Sr	≤5%Sr
Housing material	Brass	Brass	Brass	Brass
Protection degree	IP67	IP67	IP67	IP67
Operating Temp.	-25~150°C	-25~150°C	-25~150°C	-25~150°C
Output LED	built-in yellow	built-in yellow	built-in yellow	built-in yellow

Output function Type & Item No.				
PNP,NO	RB4-M12-E2-150/2MS	RB4-M12-E2-150/2MT	RN8-M12-E2-150/2MS	RN8-M12-E2-150/2MT
	A712.0061 S015	A712.0062 S015	A712.0029 S015	A712.0030 S015
PNP,NC	RB4-M12-E3-150/2MS	RB4-M12-E3-150/2MT	RN8-M12-E3-150/2MS	RN8-M12-E3-150/2MT
	A712.0057 S016	A712.0058 S016	A712.0025 S016	A712.0026 S016
PNP,NO+NC				
NPN,NO	RB4-M12-E0-150/2MS	RB4-M12-E0-150/2MT	RN8-M12-E0-150/2MS	RN8-M12-E0-150/2MT
	A712.0053 S013	A712.0054 S013	A712.0021 S013	A712.0022 S013
NPN,NC	RB4-M12-E1-150/2MS	RB4-M12-E1-150/2MT	RN8-M12-E1-150/2MS	RN8-M12-E1-150/2MT
	A712.0049 S014	A712.0050 S014	A712.0017 S014	A712.0018 S014
NPN,NO+NC				

B.C.E. s.r.l.

Via Regina Pacis, 54/c - 41049 SASSUOLO (MO) Italy

Tel. +39 0536 811.616 r.a. - Fax +39 0536 811.500

www.bce.it - E-mail: bce@bce.it

Housing style	M18	M18
Sensing distance	8mm	15mm
Mounting condition	Flush	Non-flush

Dimensions		
------------	--	--

Performance Parameter				
Operating Voltage	10...30VDC	10...30VDC	10...30VDC	10...30VDC
Operating Current	≤200mA	≤200mA	≤200mA	≤200mA
Connection	2M,Silicon Calbe	2M,PTFE Calbe	2M,Silicon Calbe	2M,PTFE Calbe
Voltage Drop.	≤2.5V	≤2.5V	≤2.5V	≤2.5V
Residual Current	—	—	—	—
Short-circuit protection	built-in	built-in	built-in	built-in
Switching Freq.	100Hz	100Hz	100Hz	100Hz
Hysteresis %Sr	3...15%	3...15%	3...15%	3...15%
Repetition Accuracy	≤5%Sr	≤5%Sr	≤5%Sr	≤5%Sr
Housing material	Brass	Brass	Brass	Brass
Protection degree	IP67	IP67	IP67	IP67
Operating Temp.	-25~150°C	-25~150°C	-25~150°C	-25~150°C
Output LED	built-in yellow	built-in yellow	built-in yellow	built-in yellow

Output function Type & Item No.				
PNP,NO	RB8-M18-E2-150/2MS	RB8-M18-E2-150/2MT	RN15-M18-E2-150/2MS	RN15-M18-E2-150/2MT
	A718.0061 S015	A718.0062 S015	A718.0029 S015	A718.0030 S015
PNP,NC	RB8-M18-E3-150/2MS	RB8-M18-E3-150/2MT	RN15-M18-E3-150/2MS	RN15-M18-E3-150/2MT
	A718.0057 S016	A718.0058 S016	A718.0025 S016	A718.0026 S016
PNP,NO+NC				
NPN,NO	RB8-M18-E0-150/2MS	RB8-M18-E0-150/2MT	RN15-M18-E0-150/2MS	RN15-M18-E0-150/2MT
	A718.0053 S013	A718.0054 S013	A718.0021 S013	A718.0022 S013
NPN,NC	RB8-M18-E1-150/2MS	RB8-M18-E1-150/2MT	RN15-M18-E1-150/2MS	RN15-M18-E1-150/2MT
	A718.0049 S014	A718.0050 S014	A718.0017 S014	A718.0018 S014
NPN,NO+NC				

Housing style	M30	M30
Sensing distance	20mm	30mm
Mounting condition	Flush	Non-flush

Dimensions		
------------	--	--

Performance Parameter				
Operating Voltage	10...30VDC	10...30VDC	10...30VDC	10...30VDC
Operating Current	≤200mA	≤200mA	≤200mA	≤200mA
Connection	2M,Silicon Calbe	2M,PTFE Calbe	2M,Silicon Calbe	2M,PTFE Calbe
Voltage Drop.	≤2.5V	≤2.5V	≤2.5V	≤2.5V
Residual Current	—	—	—	—
Short-circuit protection	built-in	built-in	built-in	built-in
Switching Freq.	100Hz	100Hz	100Hz	100Hz
Hysteresis %Sr	3...15%	3...15%	3...15%	3...15%
Repetition Accuracy	≤5%Sr	≤5%Sr	≤5%Sr	≤5%Sr
Housing material	Brass	Brass	Brass	Brass
Protection degree	IP67	IP67	IP67	IP67
Operating Temp.	-25~150°C	-25~150°C	-25~150°C	-25~150°C
Output LED	built-in yellow	built-in yellow	built-in yellow	built-in yellow

Output function Type & Item No.				
PNP,NO	RB20-M30-E2-150/2MS	RB20-M30-E2-150/2MT	RN30-M30-E2-150/2MS	RN30-M30-E2-150/2MT
	A730.0061 S015	A730.0062 S015	A730.0029 S015	A730.0030 S015
PNP,NC	RB20-M30-E3-150/2MS	RB20-M30-E3-150/2MT	RN30-M30-E3-150/2MS	RN30-M30-E3-150/2MT
	A730.0057 S016	A730.0058 S016	A730.0025 S016	A730.0026 S016
PNP,NO+NC				
NPN,NO	RB20-M30-E0-150/2MS	RB20-M30-E0-150/2MT	RN30-M30-E0-150/2MS	RN30-M30-E0-150/2MT
	A730.0053 S013	A730.0054 S013	A730.0021 S013	A730.0022 S013
NPN,NC	RB20-M30-E1-150/2MS	RB20-M30-E1-150/2MT	RN30-M30-E1-150/2MS	RN30-M30-E1-150/2MT
	A730.0049 S014	A730.0050 S014	A730.0017 S014	A730.0018 S014
NPN,NO+NC				

B.C.E. s.r.l.

Via Regina Pacis, 54/c - 41049 SASSUOLO (MO) Italy

Tel. +39 0536 811.616 r.a. - Fax +39 0536 811.500

www.bce.it - E-mail: bce@bce.it

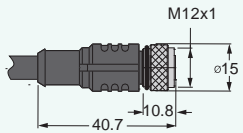
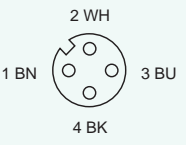
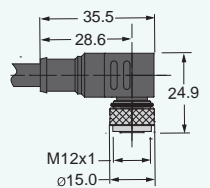
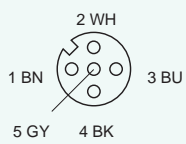
Housing style	Q20	Q20	Q20	Q20
Sensing distance	Ø6mm	Ø10mm	Ø15mm	Ø21mm
Mounting condition	Non-flush	Non-flush	Non-flush	Non-flush

Dimensions				
------------	--	--	--	--

Performance Parameter				
Operating Voltage	10...30VDC	10...30VDC	10...30VDC	10...30VDC
Operating Current	200mA	200mA	200mA	200mA
Connection	M12,Connection	M12,Connection	M12,Connection	M12,Connection
Voltage Drop.	≤2.5V	≤2.5V	≤2.5V	≤2.5V
Residual Current	built-in	built-in	built-in	built-in
Short-circuit protection	built-in	built-in	built-in	built-in
Switching Freq.	Potentiometer	Potentiometer	Potentiometer	Potentiometer
Hysteresis %Sr	3...15%	3...15%	3...15%	3...15%
Repetition Accuracy	Nylon PA66	Nylon PA66	Nylon PA66	Nylon PA66
Housing material	PBT	PBT	PBT	PBT
Protection degree	IP67	IP67	IP67	IP67
Operating Temp.	-25~70°C	-25~70°C	-25~70°C	-25~70°C
Output LED	Yellow	Yellow	Yellow	Yellow

Output function Type & Item No.				
PNP,NO	RHN6-Q20T-E2	RHN10-Q20T-E2	RHN15-Q20T-E2	RHN21-Q20T-E2
	A720.0004 S023	A720.0008 S023	A720.0012 S023	A720.0016 S023
PNP,NC	RHN6-Q20T-E3	RHN10-Q20T-E3	RHN15-Q20T-E3	RHN21-Q20T-E3
	A720.0003 S024	A720.0007 S024	A720.0011 S024	A720.0015 S024
PNP,NO+NC				
NPN,NO	RHN6-Q20T-E0	RHN10-Q20T-E0	RHN15-Q20T-E0	RHN21-Q20T-E0
	A720.0002 S021	A720.0006 S021	A720.0010 S021	A720.0014 S021
NPN,NC	RHN6-Q20T-E1	RHN10-Q20T-E1	RHN15-Q20T-E1	RHN21-Q20T-E1
	A720.0001 S022	A720.0005 S022	A720.0009 S022	A720.0013 S022
NPN,NO+NC				

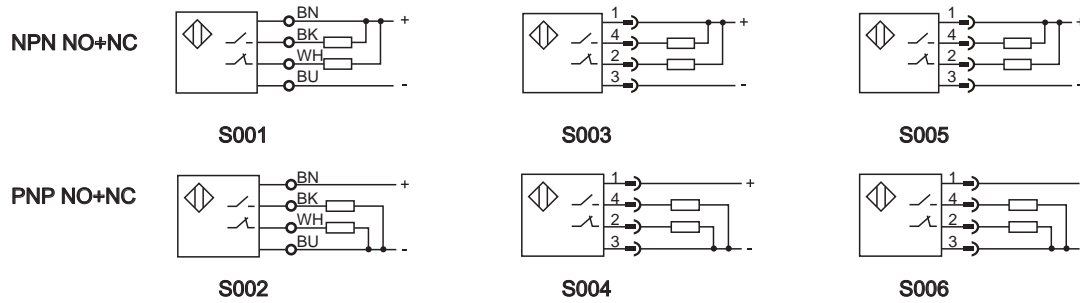
Connection Accessories

Connector ⁽¹⁾		(1)More information please contact with the product manager			
Precast Cable		Number of pins	Length	Item NO.	Type
M12x1 180° Male 		4	2m	10011010	EK4-2M/P00
			5m	10011011	EK4-5M/P00
			10m	10011012	EK4-10M/P00
		5	2m	10011020	EK4.5-2M/P00
			5m	10011021	EK4.5-5M/P00
			10m	10011022	EK4.5-10M/P00
M12x1 180° Female 		4	2m	10011040	ELK4-2M/P00
			5m	10011041	ELK4-5M/P00
			10m	10011042	ELK4-10M/P00
		5	2m	10011050	ELK4.5-2M/P00
			5m	10011051	ELK4.5-5M/P00
			10m	10011052	ELK4.5-10M/P00

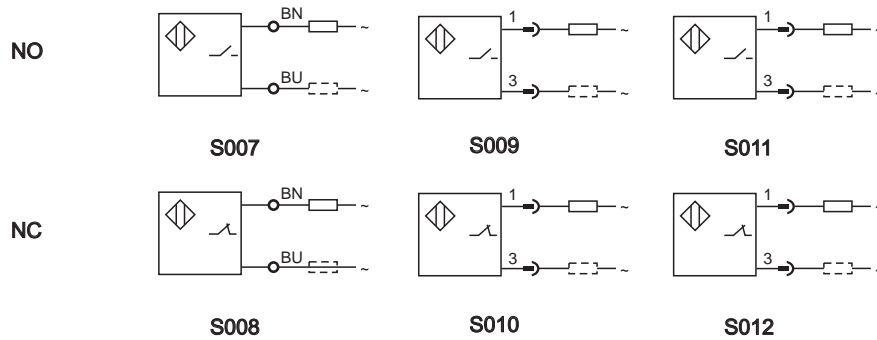
Dimension	Type	Item NO.	Material	Shape of sensor
	MBP-M12	M000.0001	PP	For cylinder sensor with M12 thread
	MBP-M18	M000.0002	PP	For cylinder sensor with M18 thread
	MBP-M30	M000.0003	PP	For cylinder sensor with M30 thread
	MBP-P40	M000.0004	PP	For K40 square
	MBM-K40	M000.0005	VA	For K40 square
	MBM-M12-L	M000.0006	VA	For cylinder sensor with M12 thread
	MBM-M18-L	M000.0007	VA	For cylinder sensor with M18 thread

Dimension	Type	Item NO.	Material	Shape of sensor
	MBM-M30-L	M000.0008	VA	For cylinder sensor with M30 thread
	MBP-M18-C	M000.0009	PP	For cylinder sensor with M18 thread
	MBP-M30-C	M000.0010	PP	For cylinder sensor with M30 thread

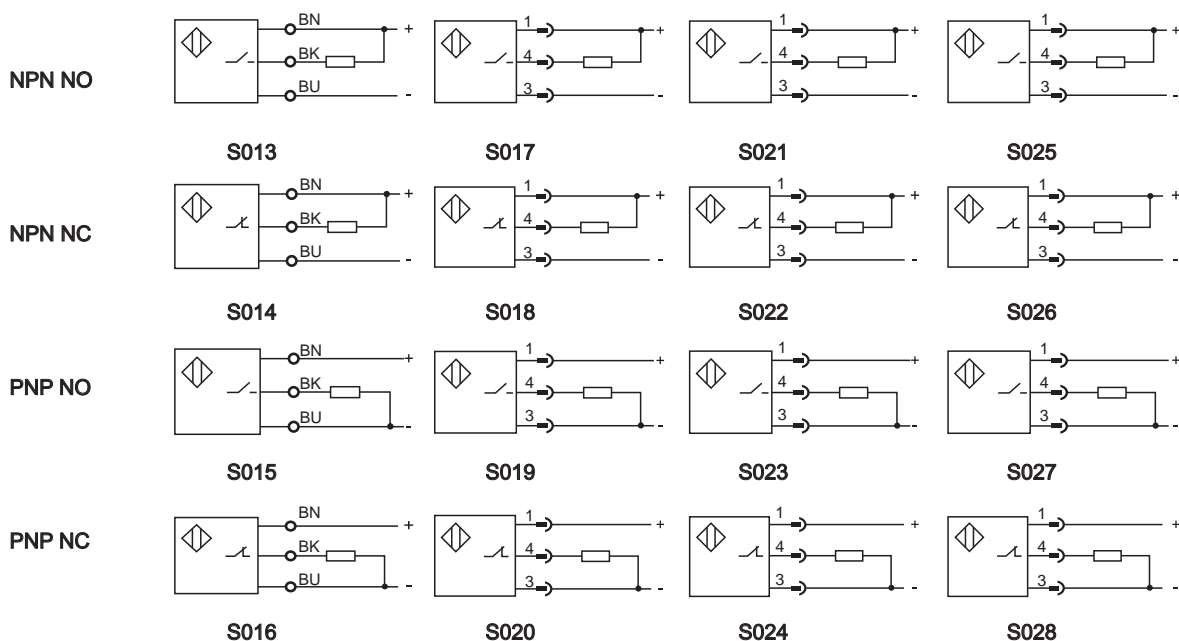
DC 4Wires **Cable out** **M12 Connection** **Terminal**



AC 2Wires **Cable out** **M12 Connection** **Terminal**



DC 3Wires **Cable out** **M8 Connection** **M12 Connection** **Terminal**



B.C.E. s.r.l.

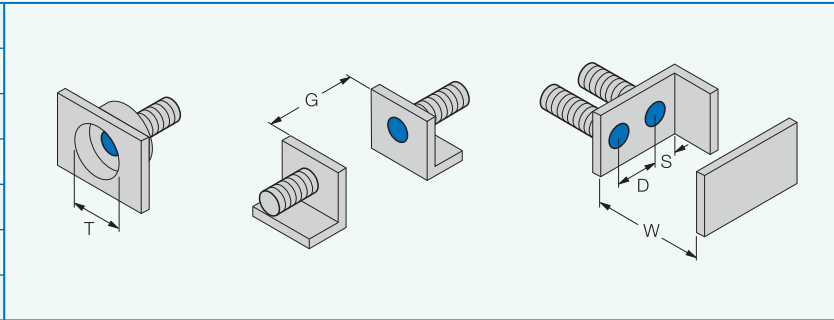
Via Regina Pacis, 54/c - 41049 SASSUOLO (MO) Italy

Tel. +39 0536 811.616 r.a. - Fax +39 0536 811.500

www.bce.it - E-mail: bce@bce.it

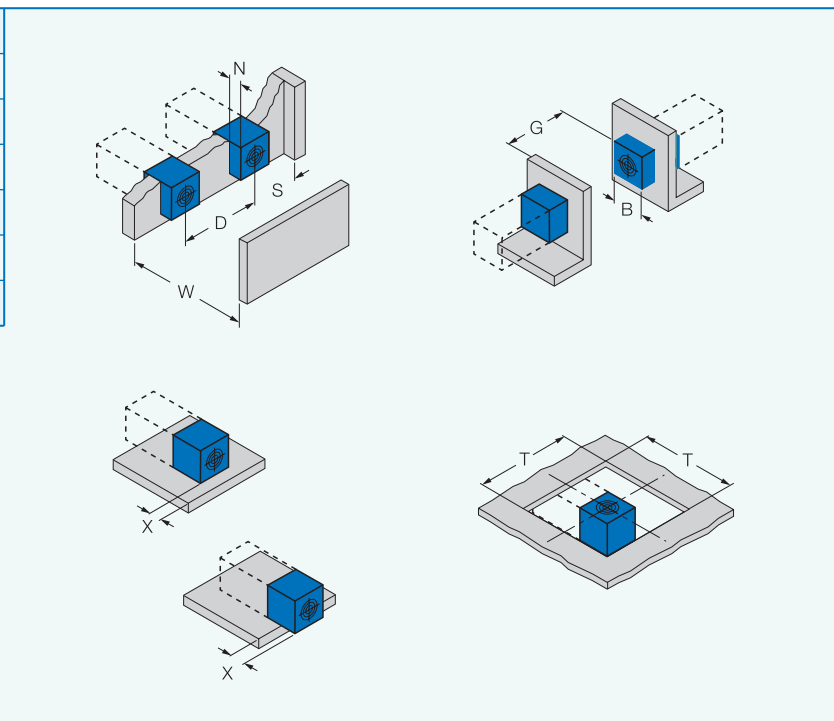
Installation instructions for cylinder series

Instructions	Min. distance
Distance D	2xB
Distance W	3xSn
Distance T	3xB
Distance S	1.5xB
Distance G	6xSn
Sensing face B diameter	Φ18mm/Φ30mm



Installation instructions for K40 series

Instructions	Min. distance
Distance D	2xB
Distance W	3xSn
Distance S	1.5xB
Distance G	3xB
Distance N	2xSn
Sensing face B width	40mm



Type	Item No.	Page	Type	Item No.	Page
RB12-M18-E0	A718.0108	15	RB20-M30T-E3/2M	A730.0129	18
RB12-M18-E0/2M	A718.0107	15	RB25-M30-E0	A730.0136	19
RB12-M18-E1	A718.0106	15	RB25-M30-E0/2M	A730.0135	19
RB12-M18-E1/2M	A718.0105	15	RB25-M30-E1	A730.0134	19
RB12-M18-E2	A718.0112	15	RB25-M30-E1/2M	A730.0133	19
RB12-M18-E2/2M	A718.0111	15	RB25-M30-E2	A730.0140	19
RB12-M18-E3	A718.0110	15	RB25-M30-E2/2M	A730.0139	19
RB12-M18-E3/2M	A718.0109	15	RB25-M30-E3	A730.0138	19
RB12-M18T-E0	A718.0116	15	RB25-M30-E3/2M	A730.0137	19
RB12-M18T-E0/2M	A718.0115	15	RB25-M30T-E0	A730.0144	19
RB12-M18T-E1	A718.0114	15	RB25-M30T-E0/2M	A730.0143	19
RB12-M18T-E1/2M	A718.0113	15	RB25-M30T-E1	A730.0142	19
RB12-M18T-E2	A718.0120	15	RB25-M30T-E1/2M	A730.0141	19
RB12-M18T-E2/2M	A718.0119	15	RB25-M30T-E2	A730.0148	19
RB12-M18T-E3	A718.0118	15	RB25-M30T-E2/2M	A730.0147	19
RB12-M18T-E3/2M	A718.0117	15	RB25-M30T-E3	A730.0146	19
RB20-K40T-A2/SK	A745.0009	28	RB25-M30T-E3/2M	A730.0145	19
RB20-K40T-A4/SK	A745.0010	28	RB2-M8SL-E0	A708.0050	8
RB20-K40T-D0/SK	A745.0012	23	RB2-M8SL-E0/2M	A708.0048	8
RB20-K40T-D2/SK	A745.0015	23	RB2-M8SL-E0/S3	A708.0049	8
RB20-K40T-E0/SK	A745.0013	23	RB2-M8SL-E1	A708.0047	8
RB20-K40T-E1/SK	A745.0011	23	RB2-M8SL-E1/2M	A708.0045	8
RB20-K40T-E2/SK	A745.0016	23	RB2-M8SL-E1/S3	A708.0046	8
RB20-K40T-E3/SK	A745.0014	23	RB2-M8SL-E2	A708.0056	8
RB20-M30-A2	A730.0106	26	RB2-M8SL-E2/2M	A708.0054	8
RB20-M30-A2/2M	A730.0105	26	RB2-M8SL-E2/S3	A708.0055	8
RB20-M30-A4	A730.0109	26	RB2-M8SL-E3	A708.0053	8
RB20-M30-A4/2M	A730.0108	26	RB2-M8SL-E3/2M	A708.0051	8
RB20-M30-E0	A730.0114	18	RB2-M8SL-E3/S3	A708.0052	8
RB20-M30-E0/2M	A730.0113	18	RB4-M12-E0	A712.0100	10
RB20-M30-E0-120/2MS	A730.0037	31	RB4-M12-E0/2M	A712.0099	10
RB20-M30-E0-120/2MT	A730.0038	31	RB4-M12-E0-120/2MS	A712.0037	29
RB20-M30-E0-150/2MS	A730.0053	34	RB4-M12-E0-120/2MT	A712.0038	29
RB20-M30-E0-150/2MT	A730.0054	34	RB4-M12-E0-150/2MS	A712.0053	32
RB20-M30-E1	A730.0112	18	RB4-M12-E0-150/2MT	A712.0054	32
RB20-M30-E1/2M	A730.0111	18	RB4-M12-E1	A712.0098	10
RB20-M30-E1-120/2MS	A730.0033	31	RB4-M12-E1/2M	A712.0097	10
RB20-M30-E1-120/2MT	A730.0034	31	RB4-M12-E1-120/2MS	A712.0033	29
RB20-M30-E1-150/2MS	A730.0049	34	RB4-M12-E1-120/2MT	A712.0034	29
RB20-M30-E1-150/2MT	A730.0050	34	RB4-M12-E1-150/2MS	A712.0049	32
RB20-M30-E2	A730.0118	18	RB4-M12-E1-150/2MT	A712.0050	32
RB20-M30-E2/2M	A730.0117	18	RB4-M12-E2	A712.0104	10
RB20-M30-E2-120/2MS	A730.0045	31	RB4-M12-E2/2M	A712.0103	10
RB20-M30-E2-120/2MT	A730.0046	31	RB4-M12-E2-120/2MS	A712.0045	29
RB20-M30-E2-150/2MS	A730.0061	34	RB4-M12-E2-120/2MT	A712.0046	29
RB20-M30-E2-150/2MT	A730.0062	34	RB4-M12-E2-150/2MS	A712.0061	32
RB20-M30-E3	A730.0116	18	RB4-M12-E2-150/2MT	A712.0062	32
RB20-M30-E3/2M	A730.0115	18	RB4-M12-E3	A712.0102	10
RB20-M30-E3-120/2MS	A730.0041	31	RB4-M12-E3/2M	A712.0101	10
RB20-M30-E3-120/2MT	A730.0042	31	RB4-M12-E3-120/2MS	A712.0041	29
RB20-M30-E3-150/2MS	A730.0057	34	RB4-M12-E3-120/2MT	A712.0042	29
RB20-M30-E3-150/2MT	A730.0058	34	RB4-M12-E3-150/2MS	A712.0057	32
RB20-M30T-A2	A730.0120	26	RB4-M12-E3-150/2MT	A712.0058	32
RB20-M30T-A2/2M	A730.0119	26	RB4-M12T-E0	A712.0108	10
RB20-M30T-A4	A730.0123	26	RB4-M12T-E0/2M	A712.0107	10
RB20-M30T-A4/2M	A730.0122	26	RB4-M12T-E1	A712.0106	10
RB20-M30T-E0	A730.0128	18	RB4-M12T-E1/2M	A712.0105	10
RB20-M30T-E0/2M	A730.0127	18	RB4-M12T-E2	A712.0112	10
RB20-M30T-E1	A730.0126	18	RB4-M12T-E2/2M	A712.0111	10
RB20-M30T-E1/2M	A730.0125	18	RB4-M12T-E3	A712.0110	10
RB20-M30T-E2	A730.0132	18	RB4-M12T-E3/2M	A712.0109	10
RB20-M30T-E2/2M	A730.0131	18	RB6-M12-E0	A712.0116	11
RB20-M30T-E3	A730.0130	18	RB6-M12-E0/2M	A712.0115	11

Type	Item No.	Page	Type	Item No.	Page
RB6-M12-E1	A712.0114	11	RHN10-Q20T-E1	A720.0005	35
RB6-M12-E1/2M	A712.0113	11	RHN10-Q20T-E2	A720.0008	35
RB6-M12-E2	A712.0120	11	RHN10-Q20T-E3	A720.0007	35
RB6-M12-E2/2M	A712.0119	11	RHN15-Q20T-E0	A720.0010	35
RB6-M12-E3	A712.0118	11	RHN15-Q20T-E1	A720.0009	35
RB6-M12-E3/2M	A712.0117	11	RHN15-Q20T-E2	A720.0012	35
RB6-M12T-E0	A712.0124	11	RHN15-Q20T-E3	A720.0011	35
RB6-M12T-E0/2M	A712.0123	11	RHN21-Q20T-E0	A720.0014	35
RB6-M12T-E1	A712.0122	11	RHN21-Q20T-E1	A720.0013	35
RB6-M12T-E1/2M	A712.0121	11	RHN21-Q20T-E2	A720.0016	35
RB6-M12T-E2	A712.0128	11	RHN21-Q20T-E3	A720.0015	35
RB6-M12T-E2/2M	A712.0127	11	RHN6-Q20T-E0	A720.0002	35
RB6-M12T-E3	A712.0126	11	RHN6-Q20T-E1	A720.0001	35
RB6-M12T-E3/2M	A712.0125	11	RHN6-Q20T-E2	A720.0004	35
RB6-Q07T-E0/2M	A707.0011	22	RHN6-Q20T-E3	A720.0003	35
RB6-Q07T-E0/S0.3M	A707.0012	22	RN10-M12-E0	A712.0068	13
RB6-Q07T-E1/2M	A707.0009	22	RN10-M12-E0/2M	A712.0067	13
RB6-Q07T-E1/S0.3M	A707.0010	22	RN10-M12-E1	A712.0066	13
RB6-Q07T-E2/2M	A707.0015	22	RN10-M12-E1/2M	A712.0065	13
RB6-Q07T-E2/S0.3M	A707.0016	22	RN10-M12-E2	A712.0072	13
RB6-Q07T-E3/2M	A707.0013	22	RN10-M12-E2/2M	A712.0071	13
RB6-Q07T-E3/S0.3M	A707.0014	22	RN10-M12-E3	A712.0070	13
RB8-M18-A2	A718.0122	24	RN10-M12-E3/2M	A712.0069	13
RB8-M18-A2/2M	A718.0121	24	RN10-M12T-E0	A712.0076	13
RB8-M18-A4	A718.0124	24	RN10-M12T-E0/2M	A712.0075	13
RB8-M18-A4/2M	A718.0123	24	RN10-M12T-E1	A712.0074	13
RB8-M18-E0	A718.0128	14	RN10-M12T-E1/2M	A712.0073	13
RB8-M18-E0/2M	A718.0127	14	RN10-M12T-E2	A712.0080	13
RB8-M18-E0-120/2MS	A718.0037	30	RN10-M12T-E2/2M	A712.0079	13
RB8-M18-E0-120/2MT	A718.0038	30	RN10-M12T-E3	A712.0078	13
RB8-M18-E0-150/2MS	A718.0053	33	RN10-M12T-E3/2M	A712.0077	13
RB8-M18-E0-150/2MT	A718.0054	33	RN10-Q07T-E0/2M	A707.0003	22
RB8-M18-E1	A718.0126	14	RN10-Q07T-E0/S0.3M	A707.0004	22
RB8-M18-E1/2M	A718.0125	14	RN10-Q07T-E1/2M	A707.0001	22
RB8-M18-E1-120/2MS	A718.0033	30	RN10-Q07T-E1/S0.3M	A707.0002	22
RB8-M18-E1-120/2MT	A718.0034	30	RN10-Q07T-E2/2M	A707.0007	22
RB8-M18-E1-150/2MS	A718.0049	33	RN10-Q07T-E2/S0.3M	A707.0008	22
RB8-M18-E1-150/2MT	A718.0050	33	RN10-Q07T-E3/2M	A707.0005	22
RB8-M18-E2	A718.0132	14	RN10-Q07T-E3/S0.3M	A707.0006	22
RB8-M18-E2/2M	A718.0131	14	RN15-M18-A2	A718.0066	25
RB8-M18-E2-120/2MS	A718.0045	30	RN15-M18-A2/2M	A718.0065	25
RB8-M18-E2-120/2MT	A718.0046	30	RN15-M18-A4	A718.0068	25
RB8-M18-E2-150/2MS	A718.0061	33	RN15-M18-A4/2M	A718.0067	25
RB8-M18-E2-150/2MT	A718.0062	33	RN15-M18-E0	A718.0072	16
RB8-M18-E3	A718.0130	14	RN15-M18-E0/2M	A718.0071	16
RB8-M18-E3/2M	A718.0129	14	RN15-M18-E0-120/2MS	A718.0005	30
RB8-M18-E3-120/2MS	A718.0041	30	RN15-M18-E0-120/2MT	A718.0006	30
RB8-M18-E3-120/2MT	A718.0042	30	RN15-M18-E0-150/2MS	A718.0021	33
RB8-M18-E3-150/2MS	A718.0057	33	RN15-M18-E0-150/2MT	A718.0022	33
RB8-M18-E3-150/2MT	A718.0058	33	RN15-M18-E1	A718.0070	16
RB8-M18T-A2	A718.0134	24	RN15-M18-E1/2M	A718.0069	16
RB8-M18T-A2/2M	A718.0133	24	RN15-M18-E1-120/2MS	A718.0001	30
RB8-M18T-A4	A718.0136	24	RN15-M18-E1-120/2MT	A718.0002	30
RB8-M18T-A4/2M	A718.0135	24	RN15-M18-E1-150/2MS	A718.0017	33
RB8-M18T-E0	A718.0140	14	RN15-M18-E1-150/2MT	A718.0018	33
RB8-M18T-E0/2M	A718.0139	14	RN15-M18-E2	A718.0076	16
RB8-M18T-E1	A718.0138	14	RN15-M18-E2/2M	A718.0075	16
RB8-M18T-E1/2M	A718.0137	14	RN15-M18-E2-120/2MS	A718.0013	30
RB8-M18T-E2	A718.0144	14	RN15-M18-E2-120/2MT	A718.0014	30
RB8-M18T-E2/2M	A718.0143	14	RN15-M18-E2-150/2MS	A718.0029	33
RB8-M18T-E3	A718.0142	14	RN15-M18-E2-150/2MT	A718.0030	33
RB8-M18T-E3/2M	A718.0141	14	RN15-M18-E3	A718.0074	16
RHN10-Q20T-E0	A720.0006	35	RN15-M18-E3/2M	A718.0073	16

Type	Item No.	Page	Type	Item No.	Page
RN15-M18-E3-120/2MS	A718.0009	30	RN30-M30-E3/2M	A730.0073	20
RN15-M18-E3-120/2MT	A718.0010	30	RN30-M30-E3-120/2MS	A730.0009	31
RN15-M18-E3-150/2MS	A718.0025	33	RN30-M30-E3-120/2MT	A730.0010	31
RN15-M18-E3-150/2MT	A718.0026	33	RN30-M30-E3-150/2MS	A730.0025	34
RN15-M18T-A2	A718.0078	25	RN30-M30-E3-150/2MT	A730.0026	34
RN15-M18T-A2/2M	A718.0077	25	RN30-M30T-A2	A730.0078	27
RN15-M18T-A4	A718.0080	25	RN30-M30T-A2/2M	A730.0077	27
RN15-M18T-A4/2M	A718.0079	25	RN30-M30T-A4	A730.0080	27
RN15-M18T-E0	A718.0084	16	RN30-M30T-A4/2M	A730.0079	27
RN15-M18T-E0/2M	A718.0083	16	RN30-M30T-E0	A730.0084	20
RN15-M18T-E1	A718.0082	16	RN30-M30T-E0/2M	A730.0083	20
RN15-M18T-E1/2M	A718.0081	16	RN30-M30T-E1	A730.0082	20
RN15-M18T-E2	A718.0088	16	RN30-M30T-E1/2M	A730.0081	20
RN15-M18T-E2/2M	A718.0087	16	RN30-M30T-E2	A730.0088	20
RN15-M18T-E3	A718.0086	16	RN30-M30T-E2/2M	A730.0087	20
RN15-M18T-E3/2M	A718.0085	16	RN30-M30T-E3	A730.0086	20
RN20-M18-E0	A718.0092	17	RN30-M30T-E3/2M	A730.0085	20
RN20-M18-E0/2M	A718.0091	17	RN35-M30-E0	A730.0092	21
RN20-M18-E1	A718.0090	17	RN35-M30-E0/2M	A730.0091	21
RN20-M18-E1/2M	A718.0089	17	RN35-M30-E1	A730.0090	21
RN20-M18-E2	A718.0096	17	RN35-M30-E1/2M	A730.0089	21
RN20-M18-E2/2M	A718.0095	17	RN35-M30-E2	A730.0096	21
RN20-M18-E3	A718.0094	17	RN35-M30-E2/2M	A730.0095	21
RN20-M18-E3/2M	A718.0093	17	RN35-M30-E3	A730.0094	21
RN20-M18T-E0	A718.0100	17	RN35-M30-E3/2M	A730.0093	21
RN20-M18T-E0/2M	A718.0099	17	RN35-M30T-E0	A730.0100	21
RN20-M18T-E1	A718.0098	17	RN35-M30T-E0/2M	A730.0099	21
RN20-M18T-E1/2M	A718.0097	17	RN35-M30T-E1	A730.0098	21
RN20-M18T-E2	A718.0104	17	RN35-M30T-E1/2M	A730.0097	21
RN20-M18T-E2/2M	A718.0103	17	RN35-M30T-E2	A730.0104	21
RN20-M18T-E3	A718.0102	17	RN35-M30T-E2/2M	A730.0103	21
RN20-M18T-E3/2M	A718.0101	17	RN35-M30T-E3	A730.0102	21
RN30-K40T-A2/SK	A745.0001	28	RN35-M30T-E3/2M	A730.0101	21
RN30-K40T-A4/SK	A745.0002	28	RN4-M8SL-E0	A708.0038	9
RN30-K40T-D0/SK	A745.0004	23	RN4-M8SL-E0/2M	A708.0036	8
RN30-K40T-D2/SK	A745.0007	23	RN4-M8SL-E0/S3	A708.0037	9
RN30-K40T-E0/SK	A745.0005	23	RN4-M8SL-E1	A708.0035	9
RN30-K40T-E1/SK	A745.0003	23	RN4-M8SL-E1/2M	A708.0033	8
RN30-K40T-E2/SK	A745.0008	23	RN4-M8SL-E1/S3	A708.0034	9
RN30-K40T-E3/SK	A745.0006	23	RN4-M8SL-E2	A708.0044	9
RN30-M30-A2	A730.0066	27	RN4-M8SL-E2/2M	A708.0042	8
RN30-M30-A2/2M	A730.0065	27	RN4-M8SL-E2/S3	A708.0043	9
RN30-M30-A4	A730.0068	27	RN4-M8SL-E3	A708.0041	9
RN30-M30-A4/2M	A730.0067	27	RN4-M8SL-E3/2M	A708.0039	8
RN30-M30-E0	A730.0072	20	RN4-M8SL-E3/S3	A708.0040	9
RN30-M30-E0/2M	A730.0071	20	RN8-M12-E0	A712.0084	12
RN30-M30-E0-120/2MS	A730.0005	31	RN8-M12-E0/2M	A712.0083	12
RN30-M30-E0-120/2MT	A730.0006	31	RN8-M12-E0-120/2MS	A712.0005	29
RN30-M30-E0-150/2MS	A730.0021	34	RN8-M12-E0-120/2MT	A712.0006	29
RN30-M30-E0-150/2MT	A730.0022	34	RN8-M12-E0-150/2MS	A712.0021	32
RN30-M30-E1	A730.0070	20	RN8-M12-E0-150/2MT	A712.0022	32
RN30-M30-E1/2M	A730.0069	20	RN8-M12-E1	A712.0082	12
RN30-M30-E1-120/2MS	A730.0001	31	RN8-M12-E1/2M	A712.0081	12
RN30-M30-E1-120/2MT	A730.0002	31	RN8-M12-E1-120/2MS	A712.0001	29
RN30-M30-E1-150/2MS	A730.0017	34	RN8-M12-E1-120/2MT	A712.0002	29
RN30-M30-E1-150/2MT	A730.0018	34	RN8-M12-E1-150/2MS	A712.0017	32
RN30-M30-E2	A730.0076	20	RN8-M12-E1-150/2MT	A712.0018	32
RN30-M30-E2/2M	A730.0075	20	RN8-M12-E2	A712.0088	12
RN30-M30-E2-120/2MS	A730.0013	31	RN8-M12-E2/2M	A712.0087	12
RN30-M30-E2-120/2MT	A730.0014	31	RN8-M12-E2-120/2MS	A712.0013	29
RN30-M30-E2-150/2MS	A730.0029	34	RN8-M12-E2-120/2MT	A712.0014	29
RN30-M30-E2-150/2MT	A730.0030	34	RN8-M12-E2-150/2MS	A712.0029	32
RN30-M30-E3	A730.0074	20	RN8-M12-E2-150/2MT	A712.0030	32



B.C.E. s.r.l.
Via Regina Pacis, 54/c - 41049 SASSUOLO (MO) Italy
Tel. +39 0536 811.616 r.a. - Fax +39 0536 811.500
www.bce.it - E-mail: bce@bce.it

