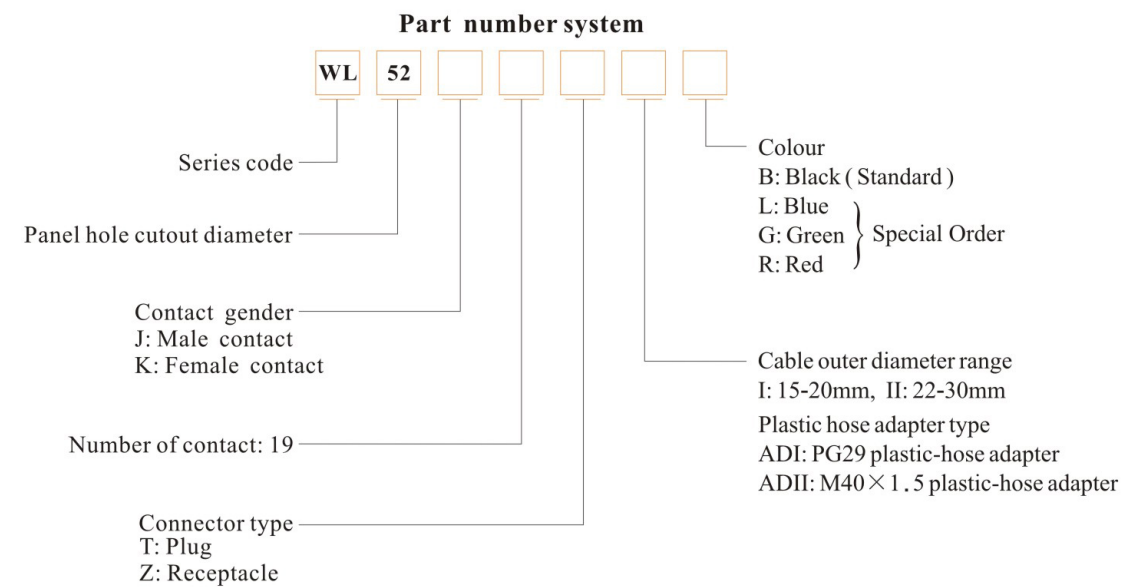






● WL52 Series IP66/67

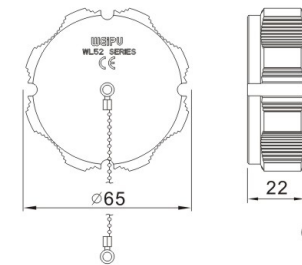


**Material and spec**

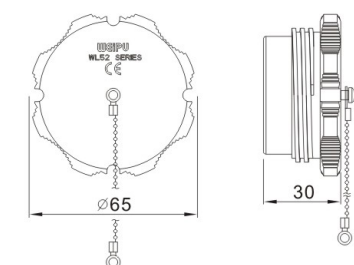
Coupling	Threaded
Shell material	Anodized aluminium
Insert material	PPS, max temperature 260°C
Contact material	Brass with gold plating
IP rating	IP66/67
Termination	Solder
Mating cycle	500
Temperature range	-40°C ~ +85°C
Insulation resistance (MΩ)	2000



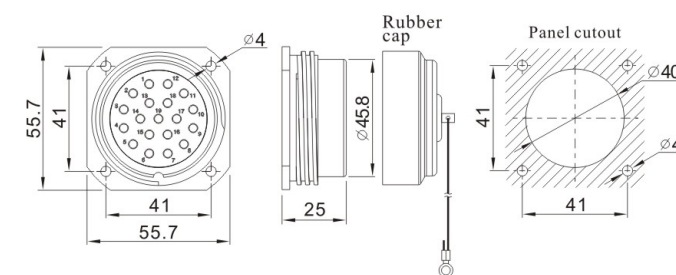
● Aluminium cap for female-contact connector: WL52-GZK IP67



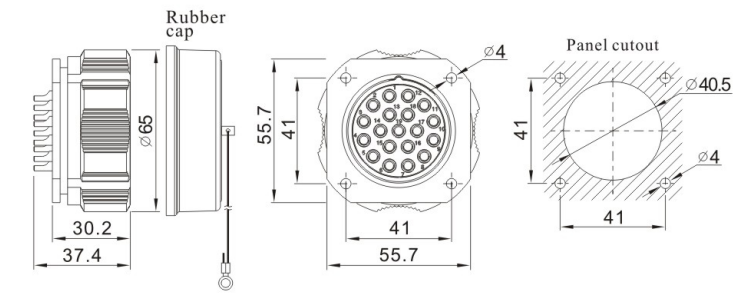
● Aluminium cap for male-contact connector: WL52-GZJ IP67



● Square flange female contact receptacle: WL52K19Z IP67



● Square flange male contact receptacle: WL52J19Z IP67

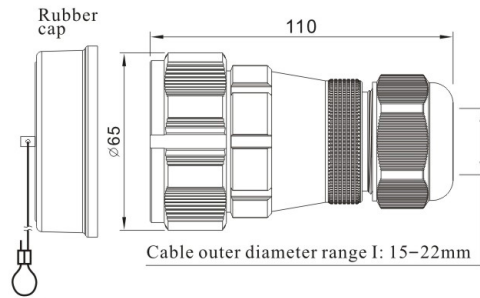


**Solder contact spec**

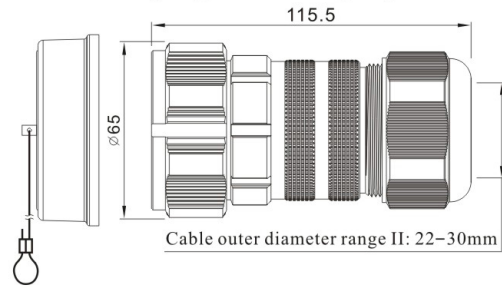
Number of contact	19
Male contact face view	
Rated current (A)	25
Contact diameter (mm)	3
Rated voltage	700 (DC.V), 500 (AC.V)
Test voltage(AC.V) 1 min	2500
Contact resistance (mΩ)	1
Wire size (mm <sup>2</sup> / AWG)	≤6/9



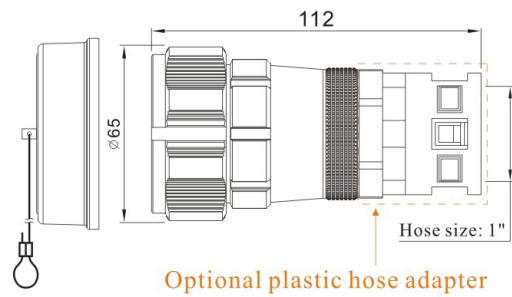
- Male-contact plug with clamping-nut 1: WL52J19TI IP67



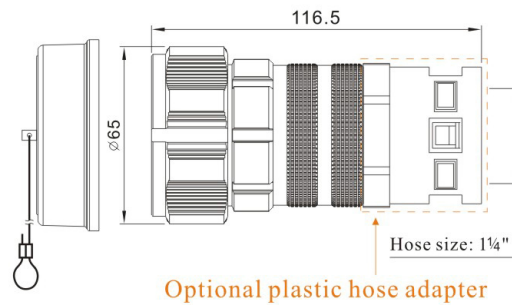
- Male-contact plug with clamping-nut 2: WL52J19TII IP67



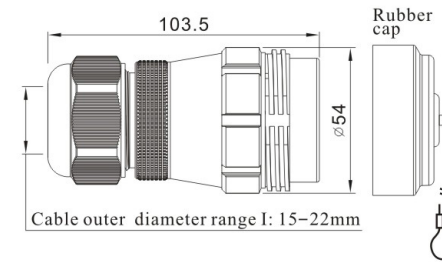
- Male-contact plug for PG29 Plastic hose adapter: WL52J19ADI IP66



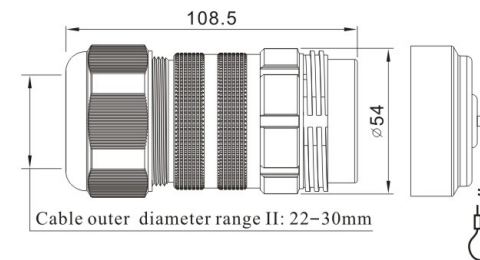
- Male-contact plug for M40 × 1.5 plastic hose adapter: WL52J19ADII IP66



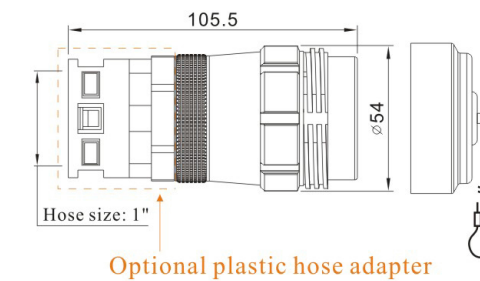
- Female-contact connector with clamping-nut 1: WL52K19TI IP67



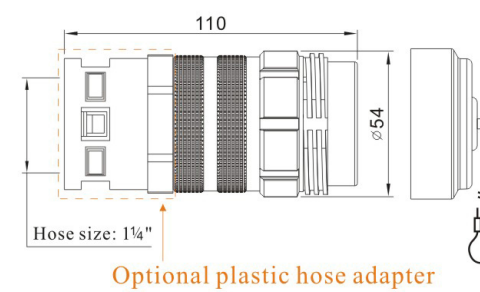
- Female-contact connector with clamping-nut 2: WL52K19TII IP67



- Female-contact connector for PG29 Plastic hose adapter: WL52K19ADI IP66

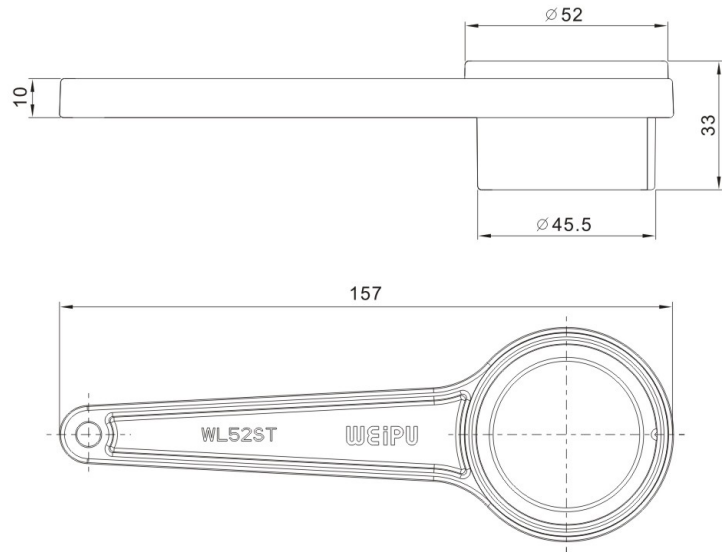


- Female-contact connector for M40 × 1.5 Plastic hose adapter: WL52K19ADII IP66

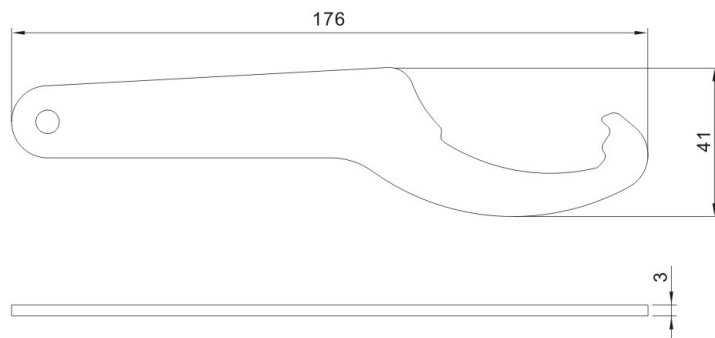




● Wrench 1: WL52ST



● Wrench 2: WL52SY

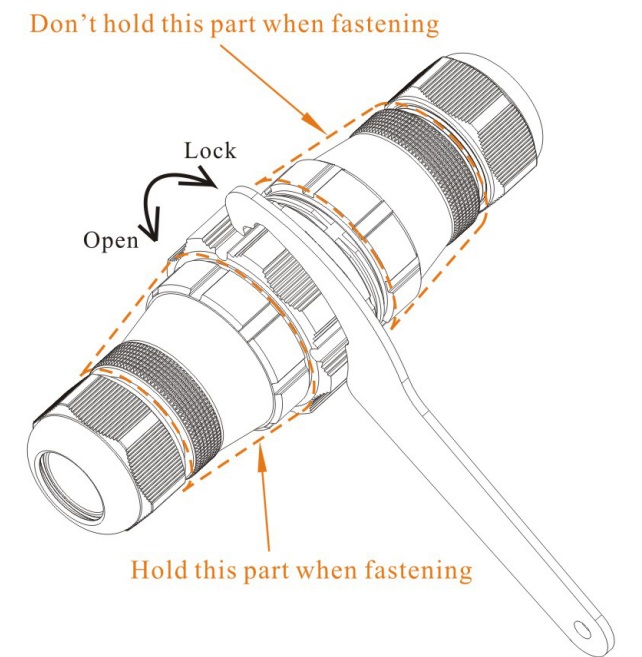
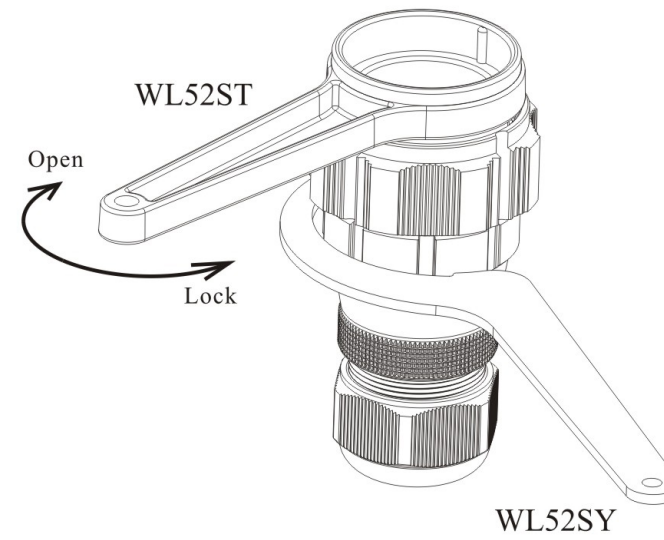
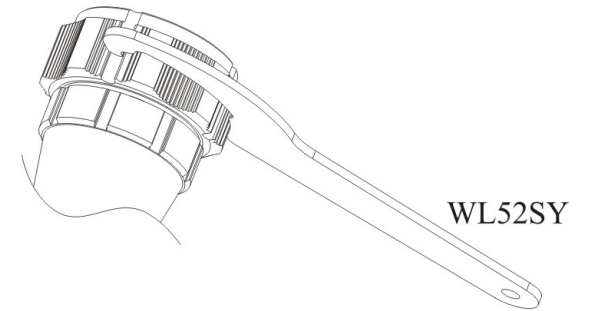
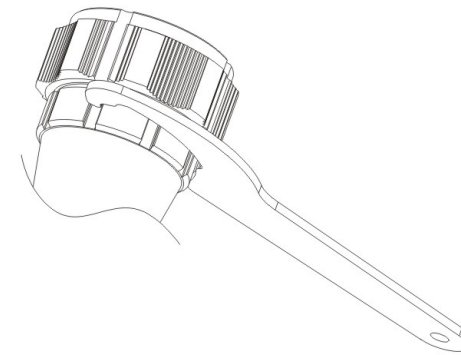
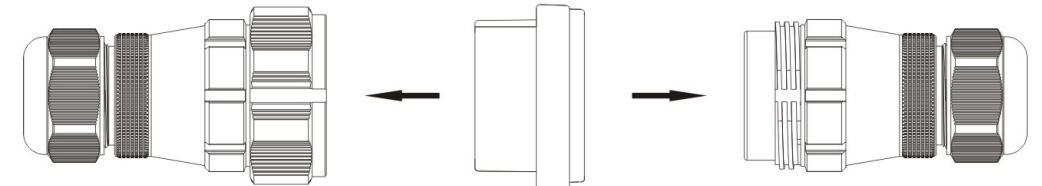


# Instruction

Male-contact connector

WL52ST

Female-contact connector





**IP67**

**WL52 Series**





**B.C.E. S.r.l.** - Via Regina Pacis, 54/c - I 41049 Sassuolo (MO), Italy

Tel: (+39) 0536 811616 Fax: (+39) 0536 811500 E-mail: [bce@bce.it](mailto:bce@bce.it) Web: [www.bce.it](http://www.bce.it)

