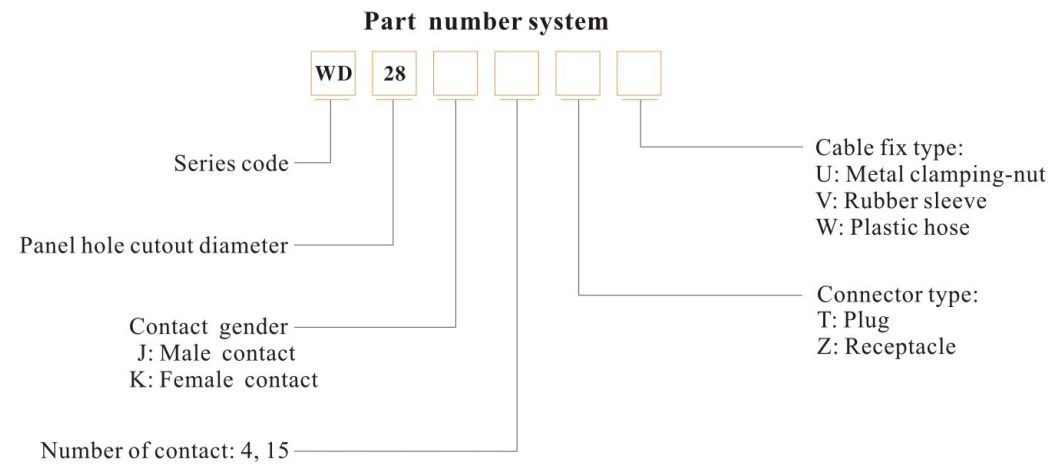






● WD Series



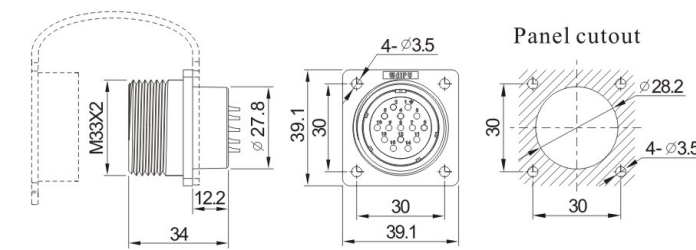
★ This connector can be used for servo motor, socket is IP67 waterproof without mating or cap, there is a layer of rubber-seal-insert which stops water goes back of socket.

Material and spec

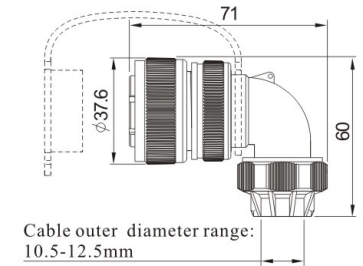
Coupling	Threaded
Shell material	Zinc alloy with black nickel plating
Insert material	Plug: PPS, max temperature 260°C Socket: Rubber and PPS, max temperature 260°C
Contact material	Brass with gold plating
Termination	Solder
Mating cycle	500
Temperature range	-40°C~+85°C
Insulation resistance (MΩ)	2000



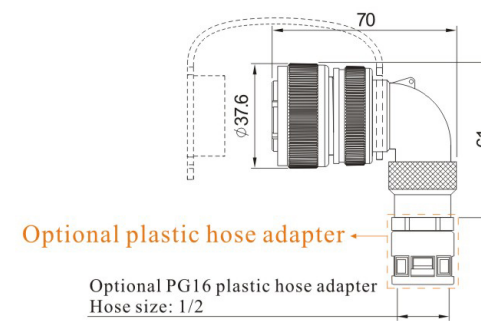
● Receptacle: Z IP65



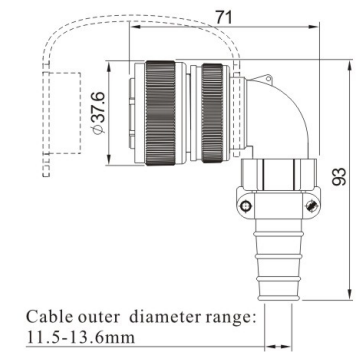
● Cable connector with clamping-nut: TU IP65



● Cable connector for plastic hose: TW IP55



● Cable connector with with rubber sleeve: TV IP65



Solder contact spec

Number of contact	4	15
Male contact face view		
Rated current (A)	50 25	10
Contact diameter (mm)	3.5 2.5	1.5
Rated voltage (AC.V)	500	500
Test voltage(AC.V) 1 min	1500	1500
Contact resistance (mΩ)	0.5 1	2.5
Wire size (mm ² / AWG)	≤10 / 7 ≤4 / 11	≤2 / 14



B.C.E. S.r.l. - Via Regina Pacis, 54/c - I 41049 Sassuolo (MO), Italy

Tel: (+39) 0536 811616 Fax: (+39) 0536 811500 E-mail: bce@bce.it Web: www.bce.it

