

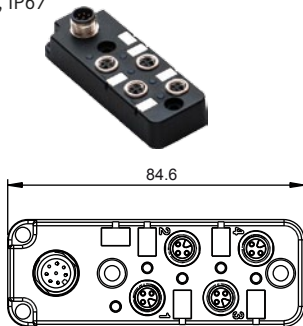
ALTW's New M8 Passive Distribution Boxes

With the growing demands for sensor connectors, Amphenol LTW is pleased to introduce the newest M8 distribution boxes to extend its range of product applications.

Featuring the compact and low profile design, M8 distribution box not only simplifies the wiring control system, but also allows installers to apply it easily to tight places of the machine. Fully potted housing with rugged IP67 rating ensures the high performance in vibration and fluid environments. The M8 I/O box accepts industry-standard threaded M8 and M8 with key (G8) connectors. It is available with 3-pin socket in 4, 6, 8, and 10 ports configurations with fixed installed PUR Home-Run Cable or a pluggable master cable connection for on-site assembly with M12 or M16 connectors. Equipped with removable identification label, all boxes utilize LEDs to indicate the status of the I/O ports.

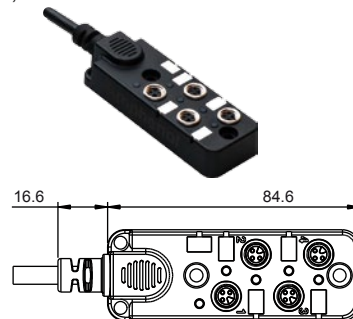
A DB8-3A4M12-SPS7001

M8 3Pin Female Conn., 4Port Distribution Box to M12 Home-Run Conn, Single I/O, PNP, IP67



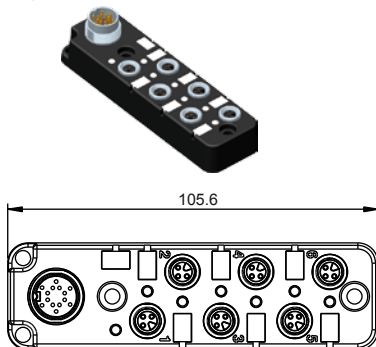
D DB8-3A4CAB-SPS7BXX (XX = Cable lengths)

M8 3Pin Female Conn., 4Port Distribution Box to Cable Home-Run, Single I/O, PNP, IP67



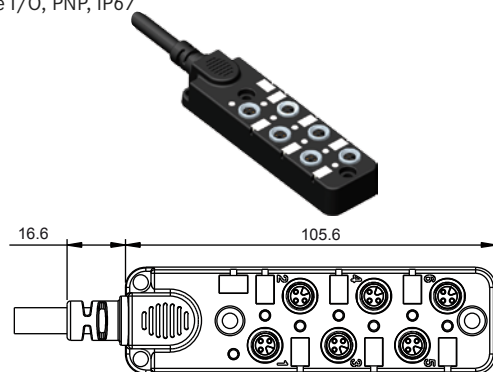
B DB8-3A6M16-SPS7001

M8 3Pin Female Conn., 6Port Distribution Box to M16 Home-Run Conn, Single I/O, PNP, IP67



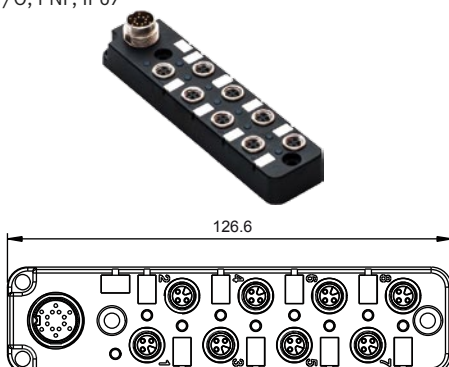
E DB8-3A6CAB-SPS7BXX (XX = Cable lengths)

M8 3Pin Female Conn., 6Port Distribution Box to Cable Home-Run, Single I/O, PNP, IP67



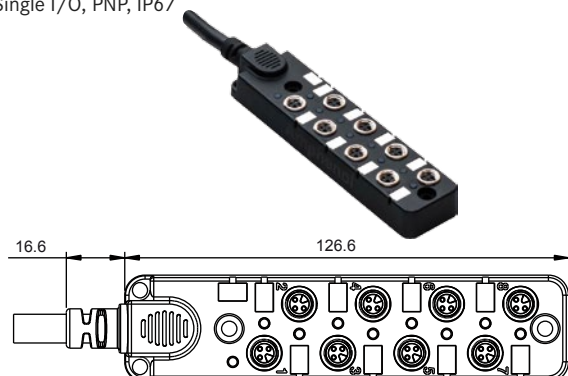
C DB8-3A8M16-SPS7001

M8 3Pin Female Conn., 8Port Distribution Box to M16 Home-Run Conn, Single I/O, PNP, IP67



F DB8-3A8CAB-SPS7BXX (XX = Cable lengths)

M8 3Pin Female Conn., 8Port Distribution Box to Cable Home-Run, Single I/O, PNP, IP67



• Unit: mm

Benefits :



Cost-effective



Space-saving



Harsh environment

-30 °C ~ +105°C



cUL approval



Oil resistant



Available for private labelling



Waterproof IP 67 rated



Markings

· Marked pin outs on M8, M12 & M16 connectors for guaranteed wiring configuration on mating side



Colored LED display

· For clear signal status



Fireproof (UL94V-0) rated



Safe & protected

· Grounded connectors for personal protection

Specifications :

General Characteristics		Technical Characteristics	
Sensor Connections	M8 (G8), 3Pin Female Conn.	Housing	PA66
Controller Connection	- M12: 8Pin Male Conn.	Box	PBT+PC
	- M16: 4Pin Male Conn.	Contact	Copper Alloy
	- 4Port with cable: UL 20549, Black PUR Jacket, 4C*0.34mm ² +2C*1.0 mm ² +FP, OD6.0	Contact Finish	Gold Plated
	- 6Port with cable: UL 20549, Black PUR Jacket, 6C*0.34mm ² +2C*1.0 mm ² +FP, OD8.6	O-ring	Silicone
	- 8Port with cable: UL 20549, Black PUR Jacket, 8C*0.34 mm ² +2C*1.0 mm ² +FP, OD9.7	Shell	Zinc Die Cast, Nickel Plated
Cable Lengths	1M, 3M, 5M, 10M, 15M, 20M & 30M	Electrical Characteristics	
Mounting Type	2+2 * M4	Current Load Per Port	1.5~2A
Power Indicator	LED, Green	Current Sum max.	1.5~6A
Function Indicator	LED, Yellow	Operating Voltage	24V DC Nominal (10~30V)
Waterproof Rating	IP 67 Mated	Switching Output	PNP
Oil Resistance	Yes	Switching Function	Normally Open (NO)
Mechanical Characteristics		Technical Characteristics - Certificate/Approval	
Operating Temperature	-25 °C ~ +90°C	UL	Pending
Storage Temperature	-30 °C ~ +105°C	cUL	Pending

For further information, please contact :

B.C.E. Srl | Sales and Marketing | Email : bce@bce.it

About Amphenol LTW

Amphenol LTW has actively devoted to various outdoor and industrial applications by successfully developing high-end waterproof connectors to meet strict requirements; also has many worldwide patents and certification such as ISO 14001, ISO 9001 and NMEA 2000...etc.. Now Amphenol LTW is not merely a supplier of waterproof connectors but also a solution provider in diversified market segments.

B.C.E. Srl | Via Regina Pacis, 54/c - I 41049 Sassuolo (MO) - Italy

Telephone: +39-0536 811616 | Fax: +39-0536 811500 | Website : <http://www.bce.it>

Innovation in Waterproof Solution

* Design and specifications are subject to change without notice.