



M12 High-Speed X-Code

TRUSTED GLOBALLY

03/20/2014



Taking the next step in terms of speed in the M12 form factor, **Amphenol LTW** will soon introduce the new **1GB/10GB M12 X-Coded 8Pin Connector**

The Advantages at a Glance

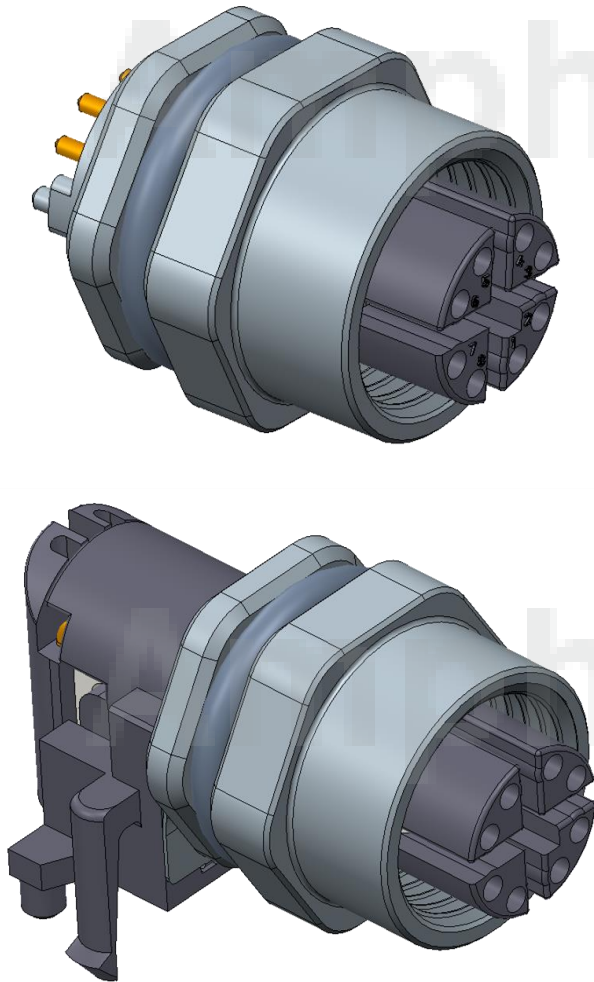
- Handles up to 10 Gbps Ethernet speed
- Transmission properties for Cat 6 and Cat 6A compliant with IEC PAS 61076-2-109
- Shockproof and vibration-proof M12 connection technology
- Better retention force
- Possibility for Branding or private labeling (PBL)
- Easier & faster installation due to the new IDC technique (patent pending)
- Salt Spray Resistant of min 48Hrs

Applications:

- Factory automation
 - ✓ Industrial networking
 - ✓ Industrial machine vision systems
 - ✓ Industrial machine builders
 - ✓ HMI panels
- Railway applications
- Surveillance Systems / CCTV
- Outdoor data communications
- Outdoor telecom
- Advanced traffic monitoring

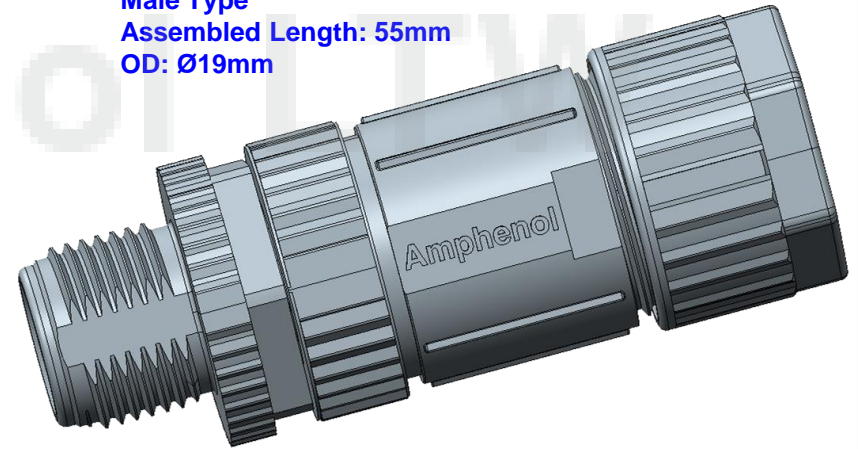


Receptacles

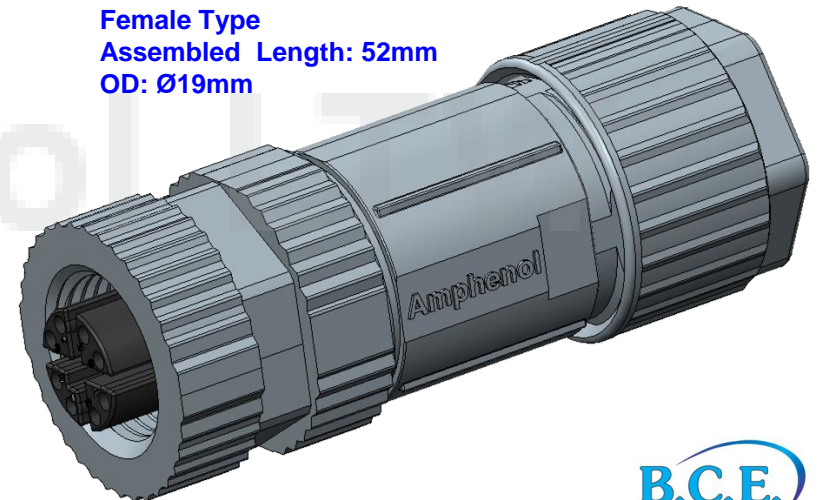


Field Installable Shielded Connector

Male Type
Assembled Length: 55mm
OD: Ø19mm



Female Type
Assembled Length: 52mm
OD: Ø19mm



Availability: **June end 2014**



Specification	Receptacle	Field Installable	Molded w/ Cable
Transmission Category	EtherNet CAT6 _A		
Temperature range	-40°C~ +90°C	-40°C~ +85°C	-40°C~ +70°C(Fixed) -10°C~ +50°C(Moving)
Mode of Connection	Insulation Displacement Connection technology / Thru-Hole for receptacle		
Shell/Nut	Zinc die-casting, nickel plated		
Insert	PA		
Rated Voltage	48V		
Rated Current	0.5A		
Contact Resistance	≤ 5mΩ		
Protection Class	IP67 (mated)		
Standard	IEC61076-2-109 compliant		
Approval	cUL (pending)		
	Patent Pending		

Comments and Notes



NB:



Contact us



B.C.E. srl
Via Regina Pacis, 54/c
41049 Sassuolo (MO)

Tel. +39 0536 811616
Fax +39 0536 811500
E-mail: bce@bce.it

www.bce.it

